

PLUG-IN VERTICAL SEMIVERTICAL

DISASSEMBLY MANUAL

Modello - Modèle - Model Modell - Modelo - Modelo	PLUG-IN VERTICAL SEMI VERTICAL	 epta refrigeration
Fabbricante - Constructeur - Manufacturer Hersteller - Fabricante - Fabricante	Epta Spa - Via Mecenate, 86 - 20138 Milano (MI) ITALIA Tel. 02/55403211 Telefax 02/55401023	2/12

Dissassembly manual

IT

CONTENT

FR

1. Introduction 3

1.1 Scope 3

1.2 General safety information 3

1.3 Reasons for a correct disassembly 3

EN

2. Procedure 4

DE

ES

PT

SYMBOLS



Prohibition symbol: prohibits performing certain operations.



Attention symbol: safety regulations for the operator.



Warning symbol: there is the possibility of causing damage to the bench and / or its components.



Note symbol: Provides useful information.

PPE



Safety shoes



Protective gloves



Safety glasses



Safety helmet



Safety vests

Modello - Modèle - Model Modell - Modelo - Modelo	PLUG-IN VERTICAL SEMI VERTICAL	
Fabbricante - Constructeur - Manufacturer Hersteller - Fabricante - Fabricante	Epta Spa - Via Mecenate, 86 - 20138 Milano (MI) ITALIA Tel. 02/55403211 Telefax 02/55401023	3/12


1. INTRODUCTION


1.1 Scope


The document "Disassembly manual" indicates how to disassemble EPTA's products. In this document are indicated the steps to follow to disassemble horizontal cabinets.

It also contains information how to protect the safety of the persons in charge of disassembling. Instructions for use are also available on: www.costan.com.

1.2 General safety information

 Do never interrupt the cooling chain of displayed goods.

 Before starting the disassembly procedure, disconnect the equipment from the electrical power supply and secure against re-connecting by unauthorized persons.

 Ensure that the working area is sufficiently illuminated during disassembly activity and use an additional lighting source if necessary.

 Beware of touching any part of the cabinet without DPI.

1.3 Reasons for a correct disassembly

In order to guarantee the correct disposal of the materials that make up the cabinet, it is important to proceed with a correct disassembly.

Correct disassembly thus allows us to increase the percentage of recyclability.

Note: the materials must be disposed of in accordance with the law or disposal regulation in force.

IT

FR

EN

DE

ES

PT

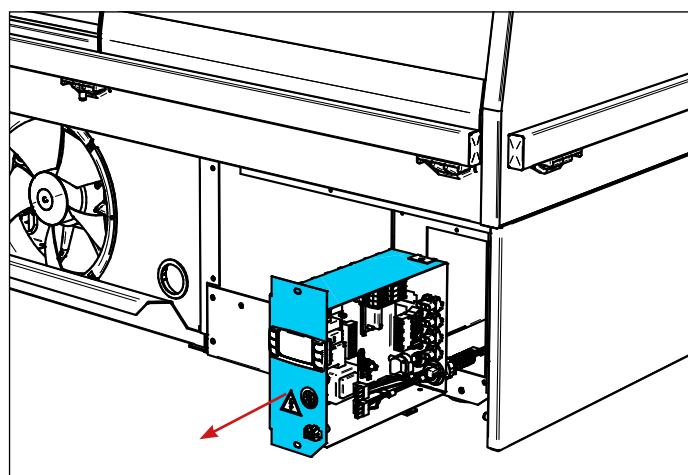
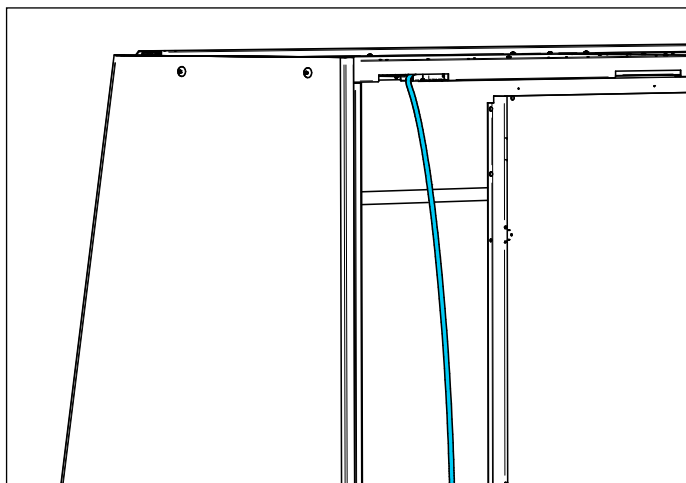
Modello - Modèle - Model Modell - Modelo - Modelo	PLUG-IN VERTICAL SEMI VERTICAL	 epta refrigeration
Fabbricante - Constructeur - Manufacturer Hersteller - Fabricante - Fabricante	Epta Spa - Via Mecenate, 86 - 20138 Milano (MI) ITALIA Tel. 02/55403211 Telefax 02/55401023	4/12

Dissassembly manual

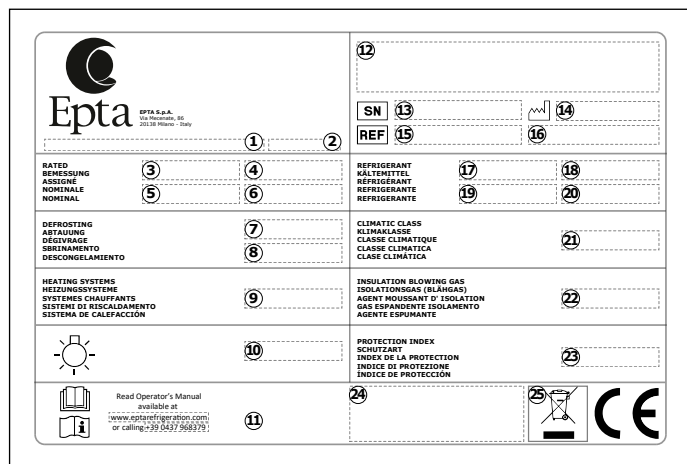
2. PROCEDURE

1. Secure the cabinet, disconnecting the power

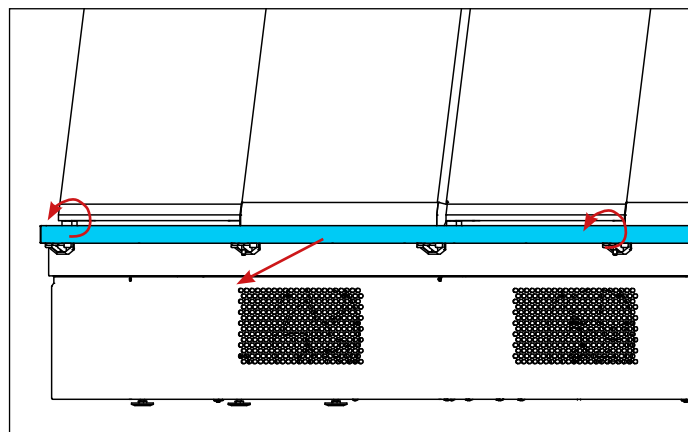
- Extract the refrigerant and deliver it to authorized companies
- Extract the unit and disconnect the compressor



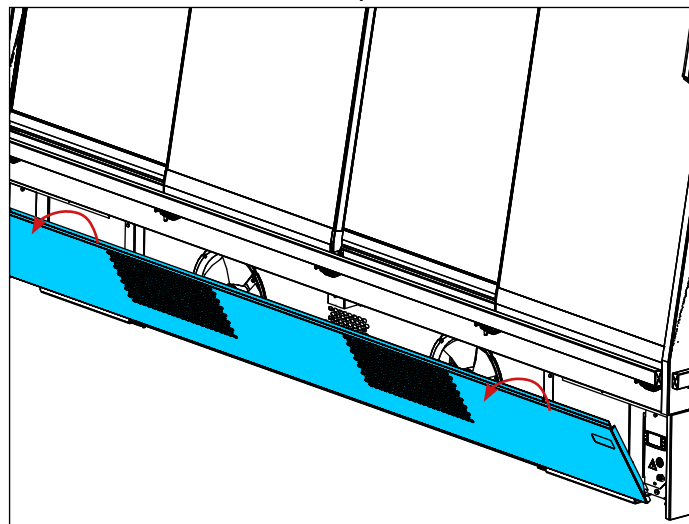
2. Check the refrigerant type on the serial plate inside the cabinet.



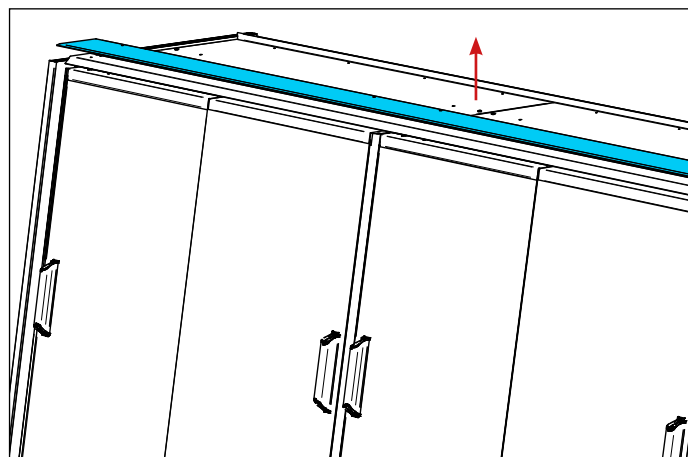
4. Disconnect controller and electrical panel.
5. Unscrew the bumper.

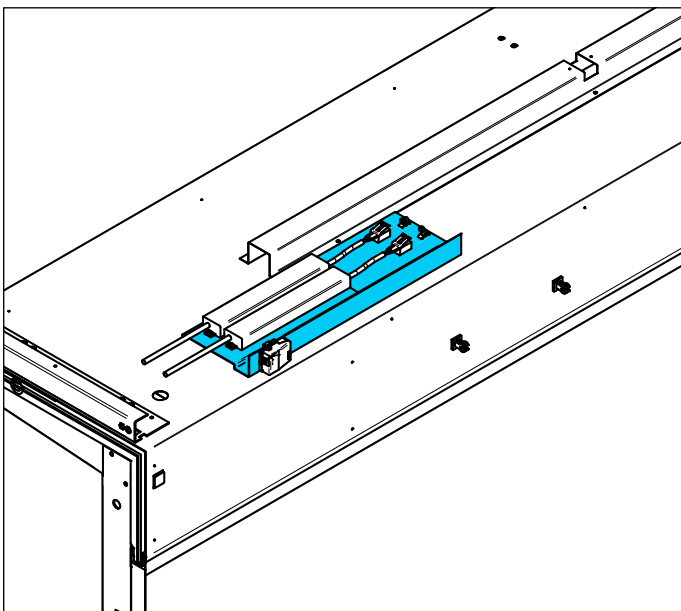
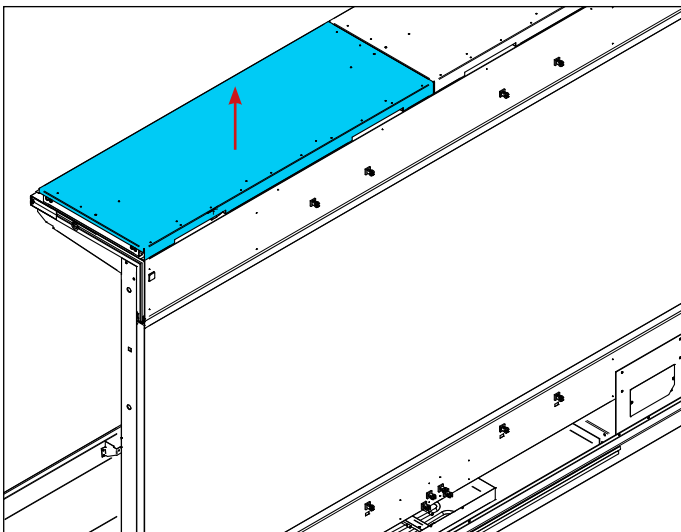
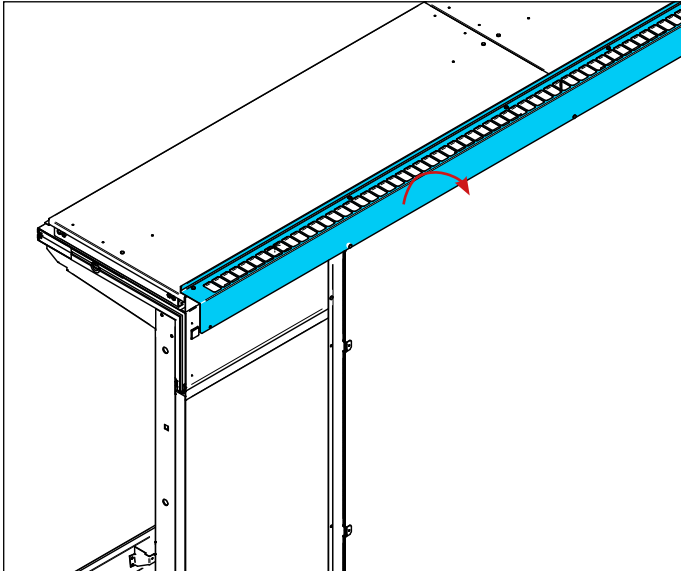


3. Unscrew the bottom panel.

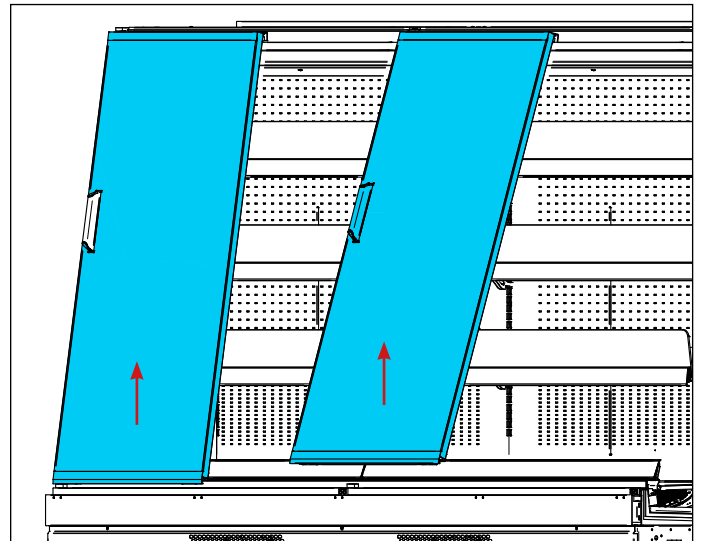
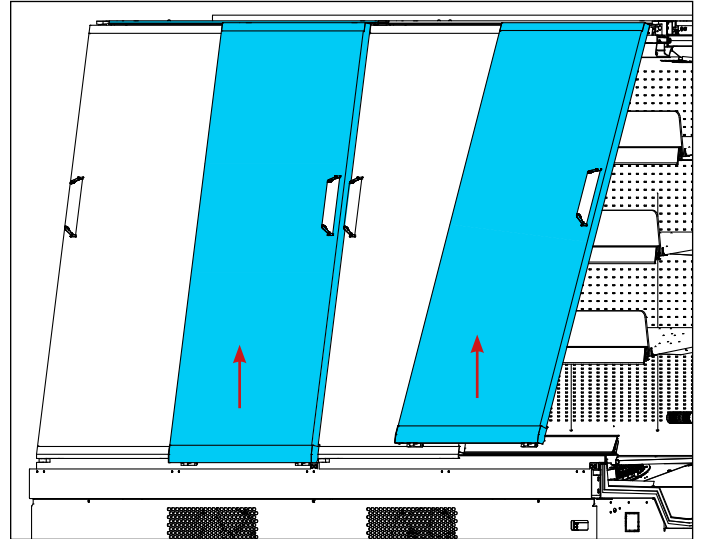


6. Detach upper metal sheet and top covers.

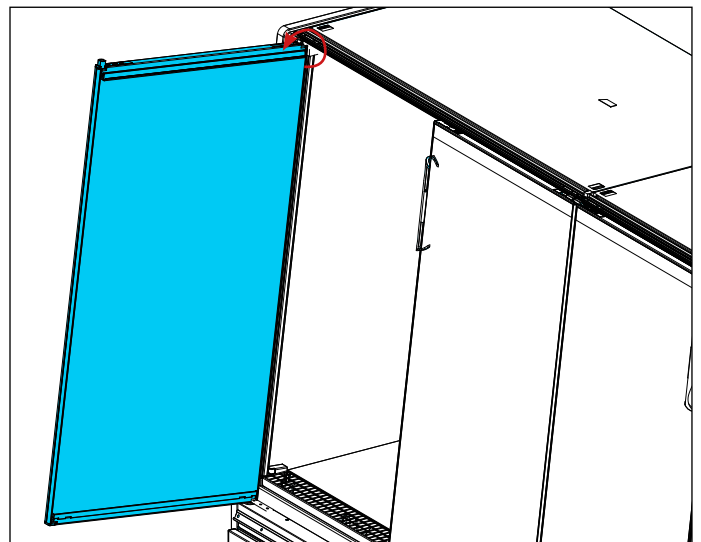




7. Remove the doors (for BT version disconnect the resistances before).



8. For hinged doors unscrew the screw.



IT

FR

EN

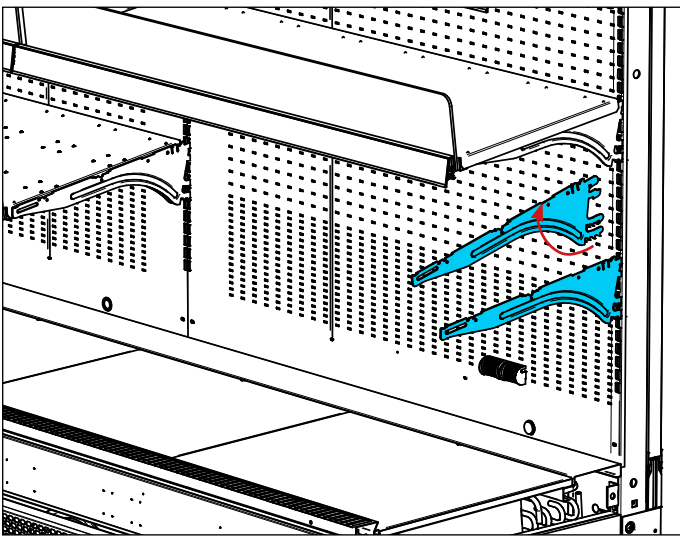
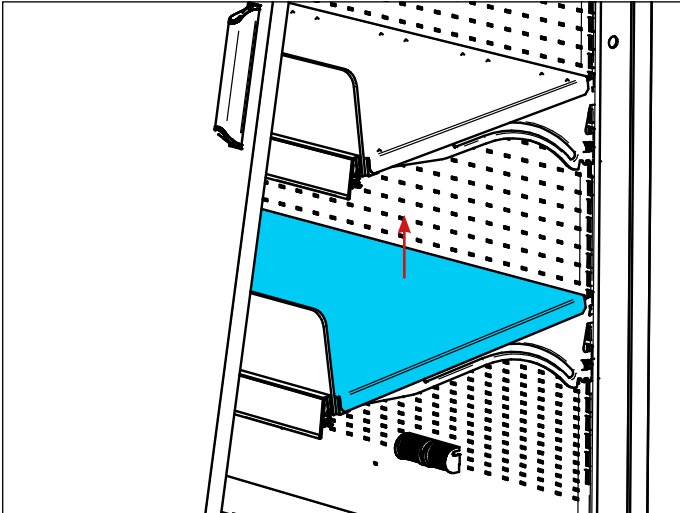
DE

ES

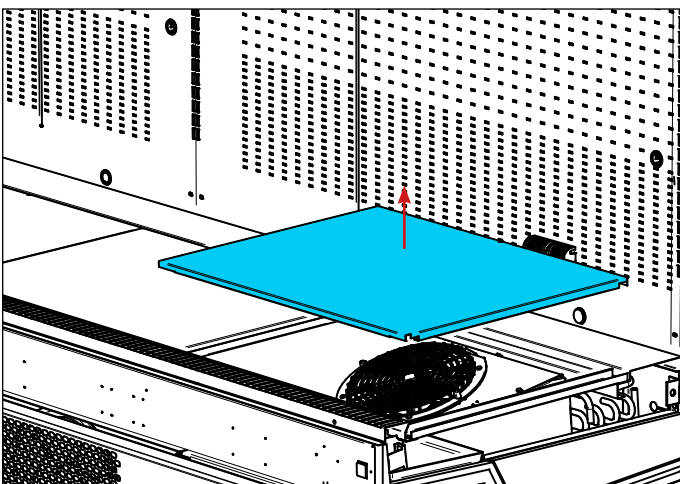
PT

Dissassembly manual

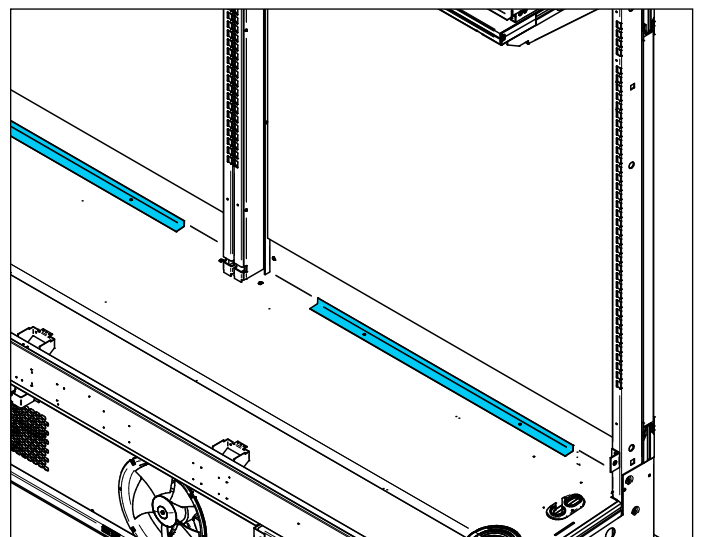
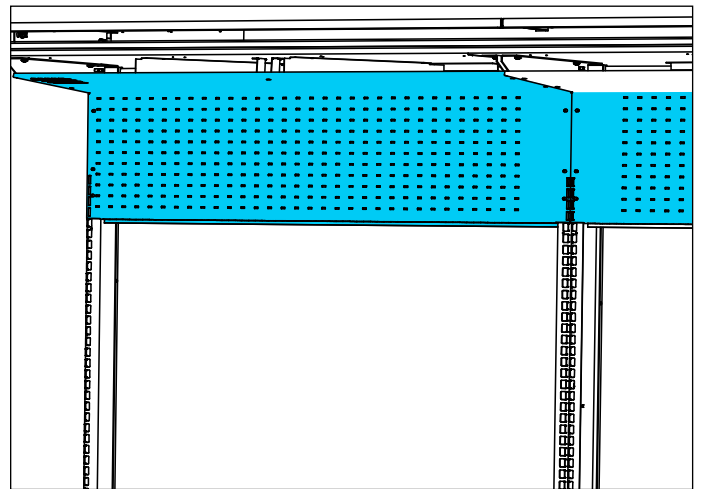
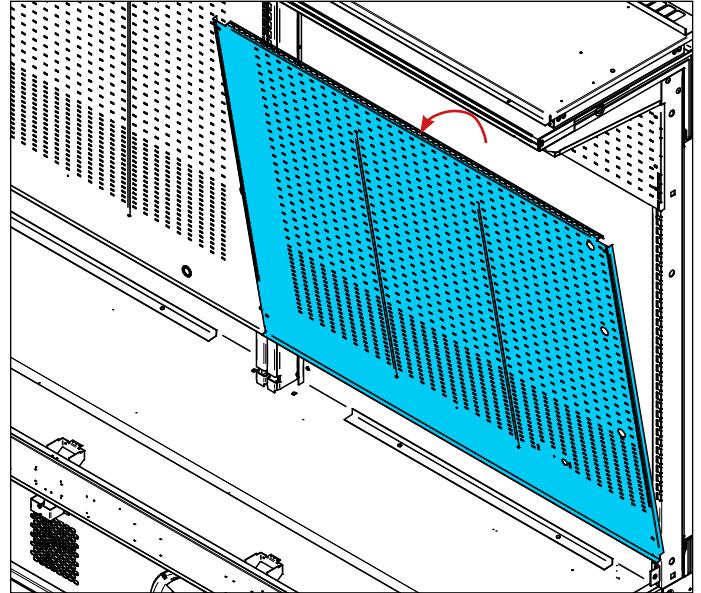
9. Disconnect shelves lighting.
10. Remove shelves and brackets.



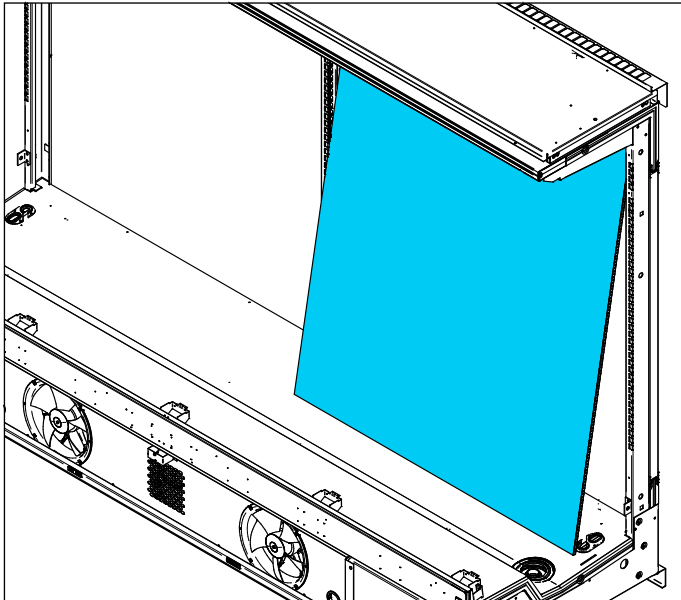
11. Remove base deck.



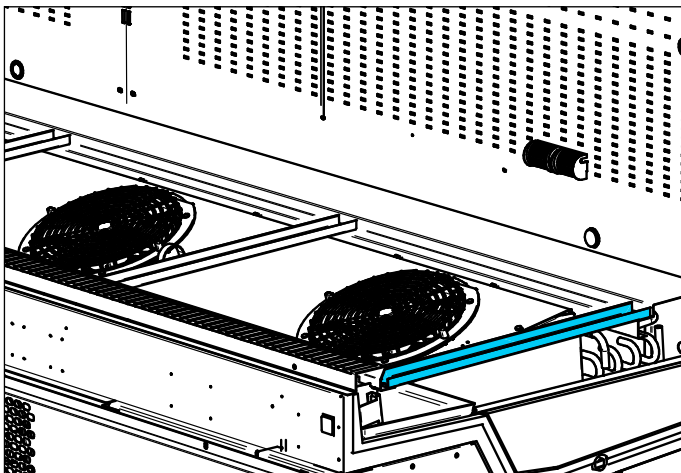
12. Remove internal panel.



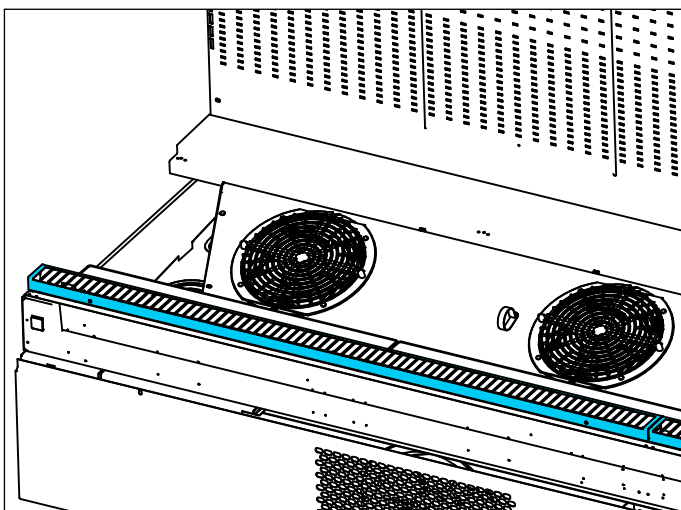
IT
FR
EN
DE
ES
PT



13. Remove rods from the bottom.

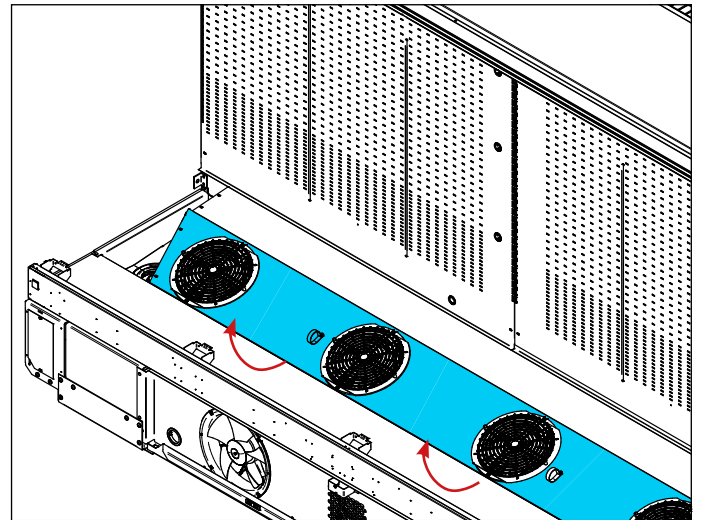


14. Remove air return grid.

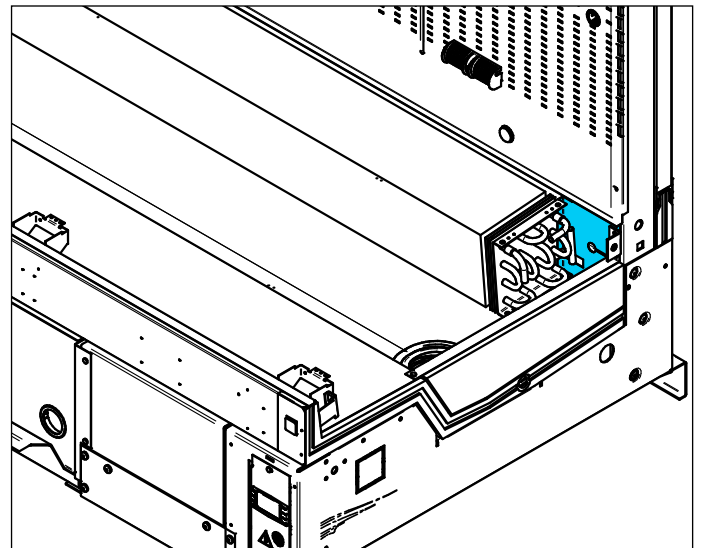


15. Unscrew and remove fan holder

- divide it from the screw
- remove fan from the fan holder and disconnect the cables



16. Remove the two air stops.



IT

FR

EN

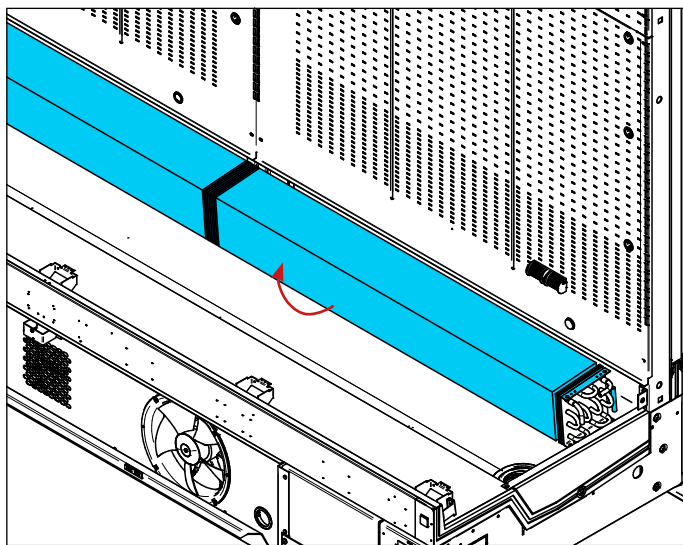
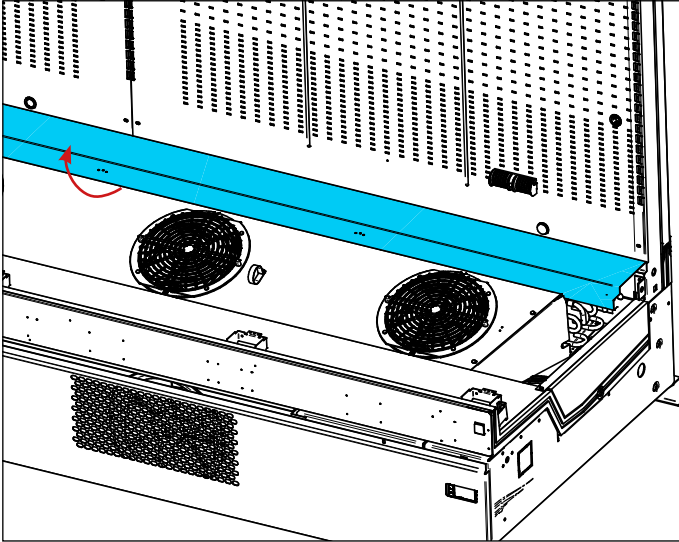
DE

ES

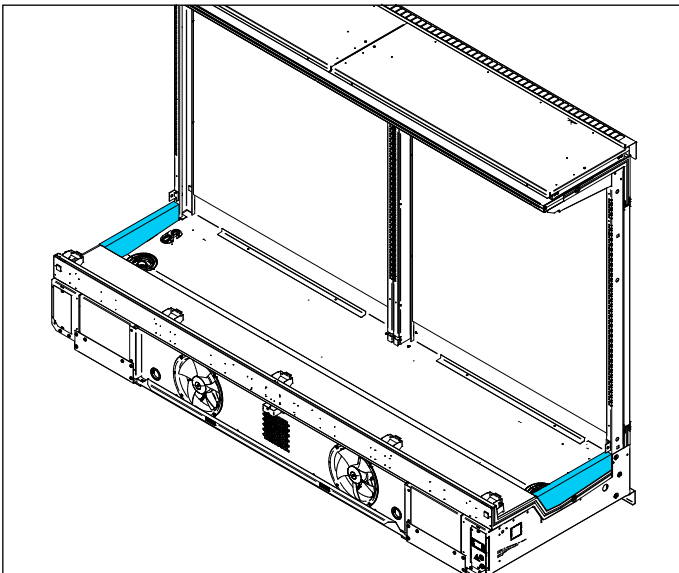
PT

Dissassembly manual

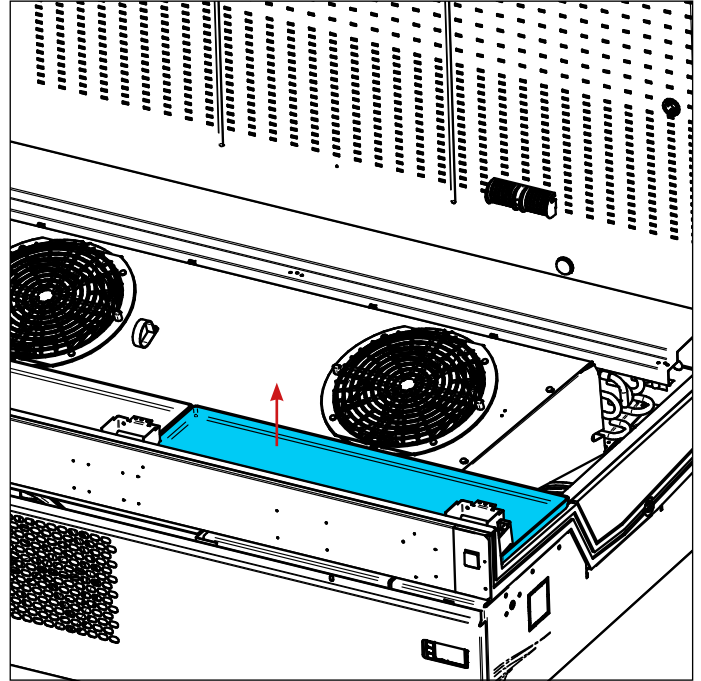
17. Remove the evaporator.



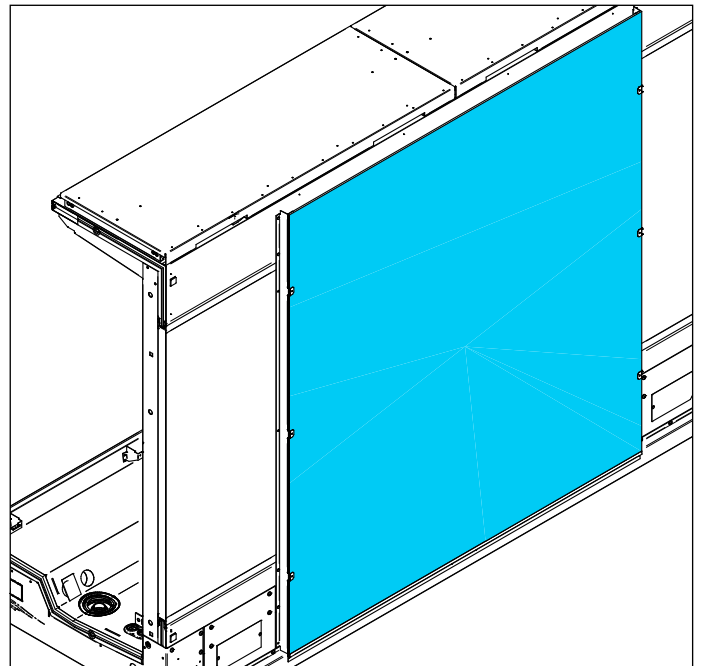
18. Remove lateral stops.



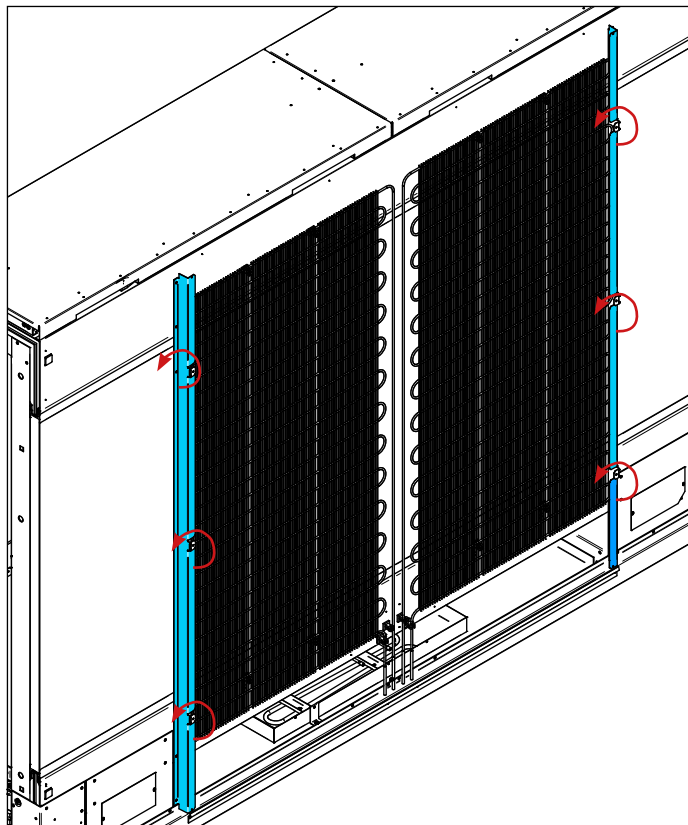
19. Remove water tray.



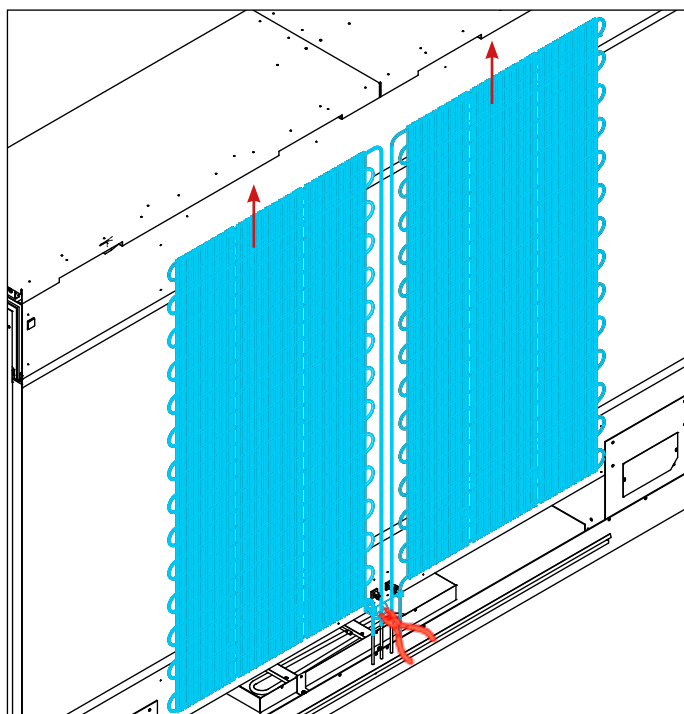
20. Remove the back panel and the corrugated plastic.



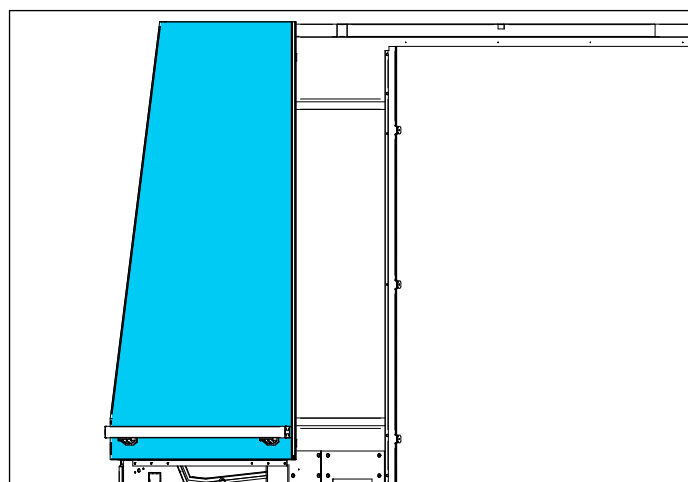
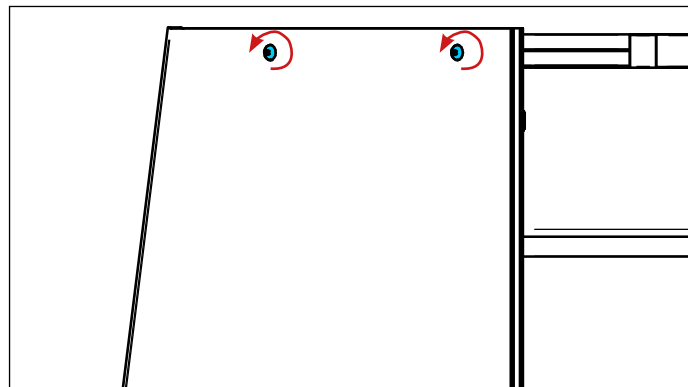
Modello - Modèle - Model Modell - Modelo - Modelo	PLUG-IN VERTICAL SEMI VERTICAL	
Fabbricante - Constructeur - Manufacturer Hersteller - Fabricante - Fabricante	Epta Spa - Via Mecenate, 86 - 20138 Milano (MI) ITALIA Tel. 02/55403211 Telefax 02/55401023	9/12



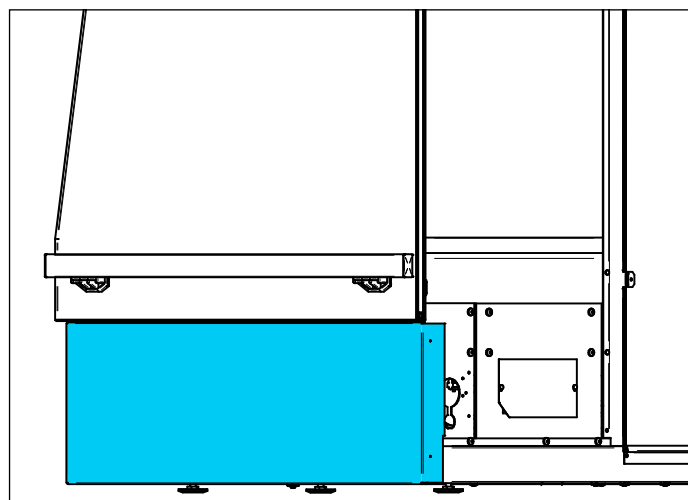
21. Remove the condenser, cutting the bottom cables.



22. Unscrew the two terminal ends with aesthetic panel.



23. Remove the well and the back together.



- IT
- FR
- EN**
- DE
- ES
- PT

Modello - Modèle - Model Modell - Modelo - Modelo	PLUG-IN VERTICAL SEMI VERTICAL	
Fabbricante - Constructeur - Manufacturer Hersteller - Fabricante - Fabricante	Epta Spa - Via Mecenate, 86 - 20138 Milano (MI) ITALIA Tel. 02/55403211 Telefax 02/55401023	10/12

Dissassembly manual

- IT
- FR
- EN
- DE
- ES
- PT

Modello - Modèle - Model Modell - Modelo - Modelo	PLUG-IN VERTICAL SEMI VERTICAL	
Fabbricante - Constructeur - Manufacturer Hersteller - Fabricante - Fabricante	Epta Spa - Via Mecenate, 86 - 20138 Milano (MI) ITALIA Tel. 02/55403211 Telefax 02/55401023	11/12

- IT
- FR
- EN
- DE
- ES
- PT

