


FTE 2.0 MT OVERFEEDING FTE 3.0 MT+LT OVERFEEDING

MT from 50 to 450 [kW]


LT from 10 to 150 [kW]




PROXIMITY STORES

SUPERMARKET

HYPERMARKET



FTE

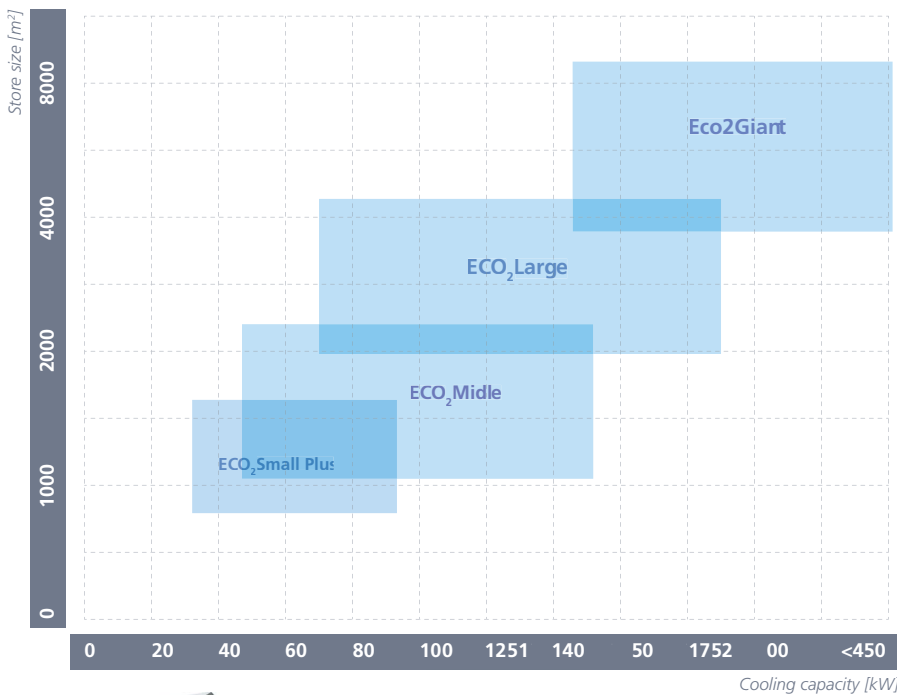


TÜV AUSTRIA
CERTIFIED

EN ISO 9001
20 100 52000877
EN ISO 14001
20 104 141373322
OHSAS 18001
20 116 141373323



Range of Power Packs CO₂



- System of overfeeding of evaporators on both MT and LT coldrooms and cabinets.
- Average of 13% energy saving.
- Short pay back time.
- Anti liquid protection.
- Combined onboard **FTE 2.0** system available
- Easy maintenance concept



FTE 2.0 MT OVERFEEDING FTE 3.0 MT+LT OVERFEEDING

Probably the most simple overfeeding solution on the market !”

Advantages of EPTA's FTE solution :

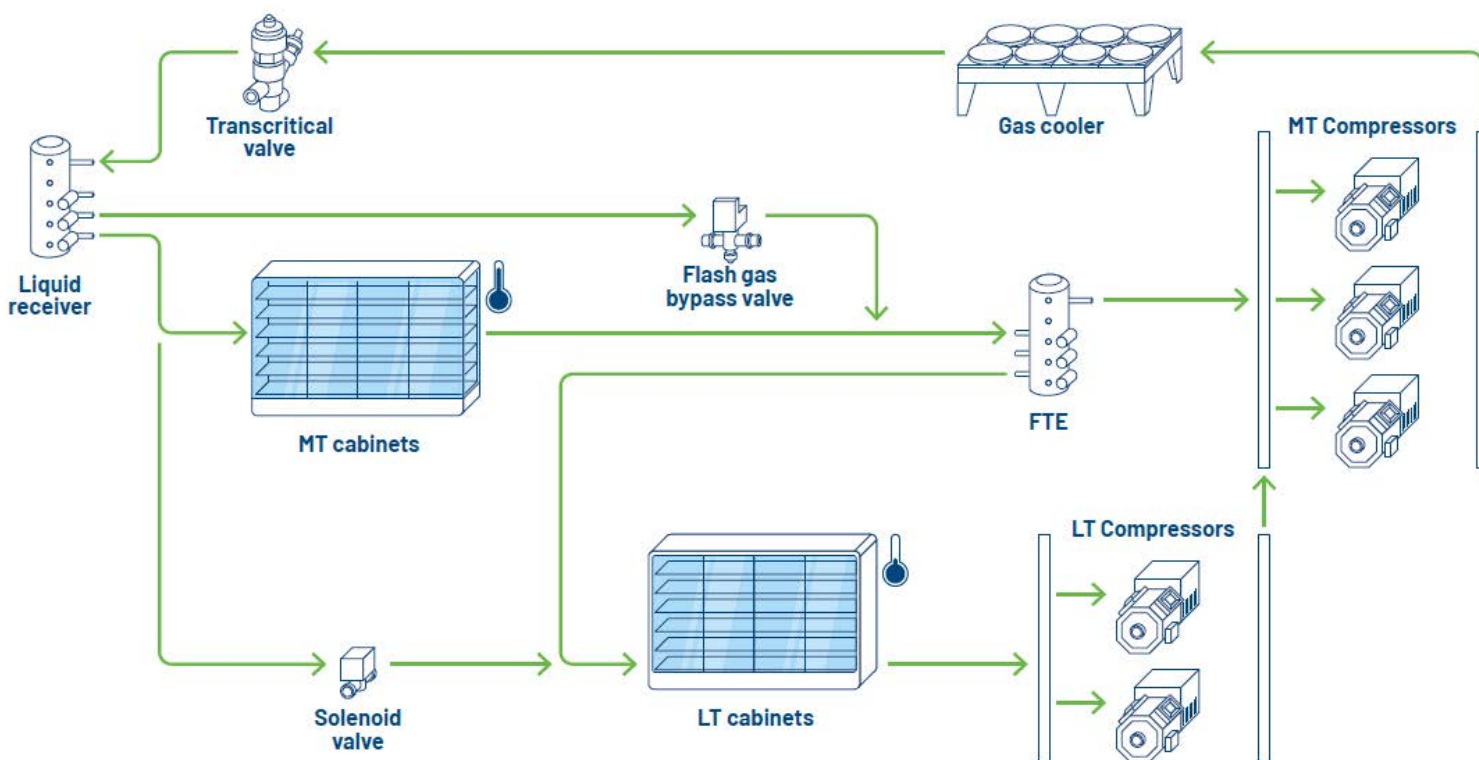
- Savings no matter the climate is.
- Saving 365 d/year and 24/24 h.
- Savings by increasing evaporating temperature.
- Easy to start up.
- Easy to install.
- Easy to maintain. (no additive filter or maintenance)
- Compatible with all regulation brands.
- No specific component. (works with solenoid valves and level sensors, no ejector needed)
- High safety : protect compressors from liquid damages, limit ice formation on evaporators and oil recovery management.
- Easy training of technicians.

Requirements for this solution :

- Booster system with at least 15% LT capacity vs MT capacity.
- 5 expansion valves on LT side as a minimum.
- Separated liquid lines for LT and MT evaporators.

FTE 2.0 MT OVERFEEDING FTE 3.0 MT+LT OVERFEEDING

Probably the most simple overfeeding solution on the market !”



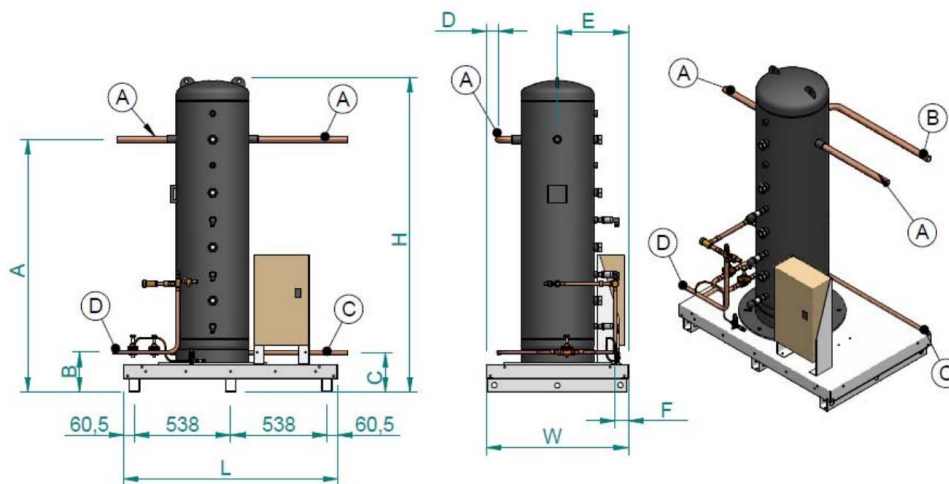
| Pressure service | |
|---------------------|---------------------------|
| High pressure | 120 bar |
| Suction MT | 45/53/60 bar |
| Suction BT | 30/60 bar |
| Suction ETE | 100 bar |
| Suction Liquid line | 45/53/60 bar |
| Oil circuit | 120 bar |
| Installation | Indoor or outdoor version |

FTE 2.0 MT OVERFEEDING FTE 3.0 MT+LT OVERFEEDING

Dimensions

INDOOR VERSION

FTE DIMENSIONS WITHOUT CASING



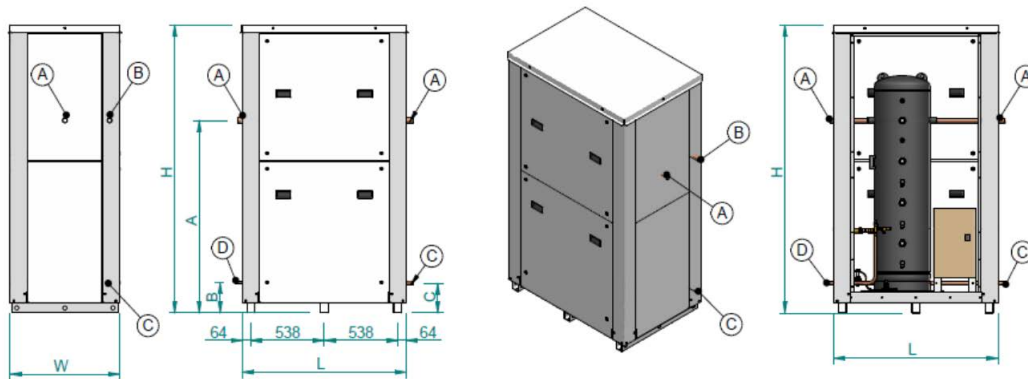
Specifications

| Receiver model | | FTE 115LT | FTE 180LT |
|---|-------|------------------|------------------|
| Volume | (l) | 115 | 180 |
| Length (L) | (mm) | 1197 | 1197 |
| Width (W) | (mm) | 795 | 795 |
| Max height (H) | (mm) | 1790 | 1790 |
| A | (mm) | 1420 | 1420 |
| B | (mm) | 220 | 220 |
| C | (mm) | 220 | 220 |
| D | (mm) | 70 | 70 |
| E | (mm) | 395 | 395 |
| F | (mm) | 70 | 70 |
| Casing diameter | (mm) | Ø 323.9 | Ø406.4 |
| Inlet Diam. of Flash gas or MT Suction pipes from MT cabinets (A) | (mm) | 2xØ35x1.5 Copper | 2xØ35x1.5 Copper |
| Outlet diam. of pipe to pack (MT suction) (B) | (mm) | Ø35x1.5 Copper | Ø 1" 5/8 K65 |
| Inlet Diam. of liquid line from pack receiver (C) | (mm) | Ø22x1.5 Copper | Ø22x1.5 Copper |
| Outlet Diam. of liquid line supplying LT cabinets (D) | (mm) | Ø22x1.5 Copper | Ø22x1.5 Copper |
| Number of safety valves | (pcs) | 2 | 2 |
| Safety valve setting | (bar) | 45 | 45 |
| Dry weight | (kg) | 216 | 275 |

FTE 2.0 MT OVERFEEDING FTE 3.0 MT+LT OVERFEEDING

Dimensions

OUTDOOR VERSION



Specifications (PS 45bar)

| Modello del ricevitore | | FTE 110LT | FTE 165LT | FTE 250LT |
|------------------------|------|-----------|-----------|-----------|
| Volume | (l) | 110 | 165 | 250 |
| Lunghezza (L) | (mm) | 1205 | | |
| Larghezza (W) | (mm) | 808 | | |
| Altezza max (H) | (mm) | 2110 | | |
| Peso (a secco) | (kg) | 445 | 430 | 480 |

Specifications (PS 60bar)

| Receiver model | | FTE 110LT | FTE 165LT | FTE 200LT | FTE 250LT |
|----------------|------|-----------|-----------|-----------|-----------|
| Volume | (l) | 110 | 165 | 200 | 250 |
| Length (L) | (mm) | 1205 | | | |
| Width (W) | (mm) | 808 | | | |
| Max height (H) | (mm) | 2110 | | | |
| Dry weight | (kg) | 445 | 520 | 555 | 605 |