

ZENITH VP REMOTE CLOSED

USER INSTRUCTIONS


*READ CAREFULLY AND KEEP WITH THE CABINET
(original instructions)*

EN IT FR DE ES PT

Modello - Modèle - Model Modell - Modelo - Modelo	ZENITH VP - REMOTE CLOSED	 epta refrigeration
Fabbricante - Constructeur - Manufacturer Hersteller - Fabricante - Fabricante	Epta Spa - Via Mecenate, 86 - 20138 Milano (MI) ITALIA Tel. 02/55403211 Telefax 02/55401023	2/3

Modello - Modèle - Model Modell - Modelo - Modelo	ZENITH VP - REMOTE CLOSED	 epta refrigeration
Fabbricante - Constructeur - Manufacturer Hersteller - Fabricante - Fabricante	Epta Spa - Via Mecenate, 86 - 20138 Milano (MI) ITALIA Tel. 02/55403211 Telefax 02/55401023	3/3

- EN USER INSTRUCTIONS**
READ CAREFULLY AND KEEP WITH THE CABINET
(original instructions)
- IT ISTRUZIONI D'USO PER L'UTENTE**
LEGGERE ATTENTAMENTE E CONSERVARE CON CURA ASSIEME AL MOBILE
(traduzione delle istruzioni originali)
- FR INSTRUCTIONS POUR L'UTILISATEUR**
LIRE AVEC ATTENTION CE MANUEL ET LE CONSERVER PRÈS DU MEUBLE AVEC SOIN
(traduction de la notice originale)
- DE BETRIEBSANLEITUNG FÜR BETREIBE**
SORGFÄLTIG LESEN UND MIT DEM MÖBEL AUFBEWAHREN
(Übersetzung der Originalanweisungen)
- ES INSTRUCCIONES DE USO PARA EL USUARIO**
LEER ATENTAMENTE Y CONSERVAR CON CUIDADO JUNTO AL MUEBLE
(traducción de las instrucciones originales)
- PT INSTRUÇÕES PARA O USO**
LER COM ATENÇÃO E GUARDAR COM CUIDADO JUNTO AO MÓVEL
(tradução das instruções originais)

Modello - Modèle - Model Modell - Modelo - Modelo	ZENITH VP - REMOTE CLOSED	 epta refrigeration
Fabbricante - Constructeur - Manufacturer Hersteller - Fabricante - Fabricante	Epta Spa - Via Mecenate, 86 - 20138 Milano (MI) ITALIA Tel. 02/55403211 Telefax 02/55401023	4/27

- EN
- IT
- FR
- DE
- ES
- PT

CONTENT

1.	Introduction	5
2.	Safety warnings	6
	2.1 General warnings	6
	2.2 Warnings for cabinet maintenance	8
	2.3 Electrical warnings	8
	2.4 Prohibitions	9
3.	General description	10
	3.1 Sections	10
4.	Transportation of the cabinet	13
5.	Ambient conditions	15
	6.1 Reference of models/designation	16
6.	Technical features	16
7.	Use of cabinet	17
8.	Ordinary maintenance	19
	8.1 Cleaning the cabinet	19
9.	Shelves configuration	20
10.	User indications	21
	10.1 Description of the cabinet	21
	10.2 Transport and handling	21
	10.3 Receipt and storage	21
	10.4 Installation and ambient conditions	22
	10.5 Electrical connection	22
	10.6 Technical features	22
	10.7 Loading the product	22
	10.8 Use of cabinet	23
	10.9 Cleaning and ordinary maintenance	23
	10.10 Emergency situations	24
	10.11 Technical assistance	25
	10.12 Dismantling and elimination	25
11.	Supplementary general warnings	26

SYMBOLS USED



Prohibition symbol: it prohibits the carrying out of specific operations.




Attention symbol: accident prevention rules for the operator.



Warning symbol: there is the possibility of damaging the cabinet and/or its components.



Note symbol: it provides useful information.

Modello - Modèle - Model Modell - Modelo - Modelo	ZENITH VP - REMOTE CLOSED	
Fabbricante - Constructeur - Manufacturer Hersteller - Fabricante - Fabricante	Epta Spa - Via Mecenate, 86 - 20138 Milano (MI) ITALIA Tel. 02/55403211 Telefax 02/55401023	5/27

1. INTRODUCTION

It is recommended to attentively read the content of this Manual and keep it together with the cabinet.

The manufacturer shall not be held liable for any harm caused to people or damage to property due to the failure to observe the warnings contained in this Manual.

This user manual applies to a product family available in different configurations and sizes; the performance and specifications of each model are supplemented by the information provided on the rating plate, the EC Declaration of Conformity, as well as by the energy label and the related EPREL product information sheet.

The performance of each individual model may vary depending on the specific configuration. The energy label and the product information sheet are also available at <https://eprel.eptarefrigeration.com> by entering the serial number shown on the rating plate.



The Manual contains information considered necessary for the good use and operation of the cabinet.

Inside you will find the following descriptions and information:

- a functional description of the cabinet and each of its parts
- information on the safety of the cabinet and the safety rules to follow
- a correct use of the cabinet
- a correct ordinary and programmed maintenance, including cleaning operations

Information not contained in this Manual:

- Installation instructions

For the correct installation of the cabinet refer to the following documents:

- Technical Manual
- Quick Reference Instructions

This Manual is for the following professional figures:

- **QUALIFIED OPERATOR:** a qualified person, educated to operate, regulate, clean and carry out ordinary maintenance on the cabinet
- **SPECIALISED TECHNICIAN** a technician trained and authorised by the body indicated in the contract (manufacturer/concessionaire/distributor) to carry out: installation, non-routine maintenance, repair, replacement and overhaul of the cabinet

Instructions for use are also available on: www.eptarefrigeration.com.

Make reference to the declaration of conformity for the regulations and certifications of the cabinet.

Always keep the instruction booklet and in case of sale.

Modello - Modèle - Model Modell - Modelo - Modelo	ZENITH VP - REMOTE CLOSED	 epta refrigeration
Fabbricante - Constructeur - Manufacturer Hersteller - Fabricante - Fabricante	Epta Spa - Via Mecenate, 86 - 20138 Milano (MI) ITALIA Tel. 02/55403211 Telefax 02/55401023	6/27

2. SAFETY WARNINGS

2.1 General warnings



The designation of the appliance is provided on page "16".



Safety warning for systems using R744 (CO₂) transcritical. The evaporator of the cabinet, placed downstream of expansion valve, is designed to operate in subcritical conditions.



The manufacturer disclaims any liability for damage caused to people or property due to the failure to observe the warnings contained in this manual. Any person who uses this cabinet must read this user manual.



The employer must educate staff on the risks of accidents, on the devices arranged for staff safety, on the risks of noise emission and on the general safety rules provided for by the rules in force.



Use of the counter for non-technical purposes, such as opening the doors to take out products on display, may also be carried out by children aged 8 years or older, or by persons with reduced physical, sensory or mental capabilities or lack of experience and knowledge if they have been given supervision or instruction concerning the use of the appliance in a safe way and understand the hazards involved.

The children have to be supervised not to play with the appliance. Cleaning and maintenance shall not be carried out by children without supervision.



Any other use not explicitly indicated in this manual is considered dangerous and the manufacturer cannot be held liable for any damage deriving from improper, wrong and unreasonable use.



The cabinet must be used by staff equipped with the appropriate personal protection equipment.



It is compulsory to use work gloves.



Do not leave the cabinet exposed to weathering agents



Do not use direct or indirect jets of water on the cabinet.



Do not touch the cabinet with wet or damp hands and feet; do not use the cabinet with naked feet.





The removal of protection devices or panels that require the use of tools to be removed is reserved exclusively for qualified personnel.





Technical use of the counter is limited solely to authorised and trained persons; technical activities include, by way of example, switching on the counter, adjustments, cleaning and maintenance.


Modello - Modèle - Model Modell - Modelo - Modelo	ZENITH VP - REMOTE CLOSED	 eptarefrigeration
Fabbricante - Constructeur - Manufacturer Hersteller - Fabricante - Fabricante	Epta Spa - Via Mecenate, 86 - 20138 Milano (MI) ITALIA Tel. 02/55403211 Telefax 02/55401023	7/27


 For assembling dedicated optional accessories, contact your nearest authorised service centre.


 The information regarding the maximum loading of each type of shelf is provided on page "22".


 Each intervention must be carried out exclusively by qualified personnel.


 All handling, transport, assembly and disassembly operations, during decommissioning and during disposal, must be carried out exclusively by qualified personnel.


 Each intervention must be carried out exclusively by qualified personnel and, in every case, before each intervention the power supply of the cabinet must be disconnected.


 Instruct anyone who uses the cabinet on the position of the disconnect switch.


 Thermostat adjustment is reserved for the technical after-sales service only.


 Pay attention to the hot or moving parts marked with the appropriate symbol.


 In case of fire, do not use water to put out the flames but only dry fire extinguishers


 Do not damage the refrigeration circuit.


 Avoid fire or sparks inside the appliance.


 Keep the ventilation openings in the appliance housing free from obstructions.

 Do not use electrical appliances inside the compartments of the appliance for the preservation of foods or foods frozen if these are not the type recommended by the manufacturer.

 Do not store explosive or dangerous substances, such as containers under pressure with flammable propellant, in this appliance.

 Do not place liquid containers and do not pour liquids on the counter.

 Do not leave weights on top of the cabinet roof resting unpacked products directly on the shelves should be avoided, use suitable food containers.

 This device is designed to operate in ambient class 3 or 4; the definition of the ambient class is provided on page "27".

EN


IT

FR

DE

ES

PT

Modello - Modèle - Model Modell - Modelo - Modelo	ZENITH VP - REMOTE CLOSED	 epta refrigeration
Fabbricante - Constructeur - Manufacturer Hersteller - Fabricante - Fabricante	Epta Spa - Via Mecenate, 86 - 20138 Milano (MI) ITALIA Tel. 02/55403211 Telefax 02/55401023	8/27

EN

2.2 Warnings for cabinet maintenance



Maintenance work must only be carried out by authorised personnel.

IT

FR

DE

ES

PT



Access to the electrical parts and/or parts that require the use of tools is reserved for specialist technicians.



Prior to any maintenance and cleaning operation reserved for the user, de-energise the cabinet using the wall-mounted disconnect switch.



Pay attention to the hot or moving parts marked with the appropriate symbol.



It is compulsory to use work gloves.



It is important to respect the type and frequency of inspections and maintenance required for safe operation including the preventive maintenance measures, as described in the paragraph "Cleaning and ordinary maintenance" on page "23".

2.3 Electrical warnings



Ensure that the power voltage corresponds to the rating plate of the cabinet.



The electrical installation must be carried out in a competent manner by specialised technicians.



The removal of the cover of the electrical panel is reserved for specialist technicians.



In compliance with the installation rules, the power supply must include an omnipolar disconnection device, which ensures complete disconnection from the network in overvoltage category III conditions.



The cabinet must be installed following the instructions of the manufacturer, by professionally qualified staff and in compliance with the rules on electrical systems in force in individual Countries.




A wrong cabinet installation can cause damage to people, animals or property, for which the manufacturer cannot be held liable.




If the power cord is damaged, it must be replaced by authorized service personnel to avoid any hazard. Do not attempt to repair the cable.





Do not power the cable if it is damaged. If in doubt, contact the after-sales service or your dealer.


Modello - Modèle - Model Modell - Modelo - Modelo	ZENITH VP - REMOTE CLOSED	 epta refrigeration
Fabbricante - Constructeur - Manufacturer Hersteller - Fabricante - Fabricante	Epta Spa - Via Mecenate, 86 - 20138 Milano (MI) ITALIA Tel. 02/55403211 Telefax 02/55401023	9/27


2.4 Prohibitions


 It is forbidden to use devices in addition to those provided in the cabinet by the manufacturer to accelerate the defrosting process.


 It is forbidden for unskilled staff to remove the cover of the electrical panel or open panels that require the use of tools.


 It is forbidden to use the cabinet for the preservation and/or display of explosive, flammable or corrosive substances, such as spray cans containing a flammable propellant.


 It is forbidden to use the cabinet for the preservation and/or display of pharmaceutical products.

 In case of **PRODUCTS NOT PACKAGED OR PRESERVED AT LOW TEMPERATURE**, it is prohibited to use the cabinet for the preservation and/or display of bottles and packages in glass.

 It is forbidden to place the cabinet in areas with the presence of explosive gaseous substances.

 It is forbidden to remove the identification plate from the cabinet.

 It is forbidden to get on the counter or on the counter bumper.

 It is forbidden to replace components and/or make changes to the cabinet outside the manufacturer's specifications, replace original parts with others that are not approved by the manufacturer, under penalty of forfeiture of the warranty.

EN


IT

FR

DE

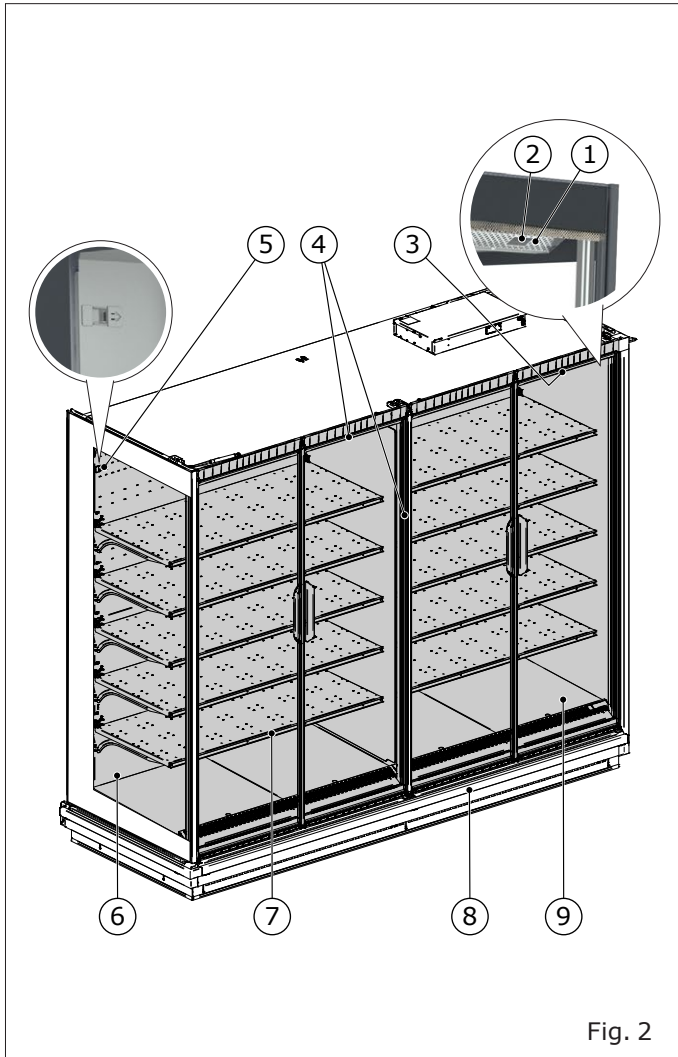
ES

PT

Modello - Modèle - Model Modell - Modelo - Modelo	ZENITH VP - REMOTE CLOSED	
Fabbricante - Constructeur - Manufacturer Hersteller - Fabricante - Fabricante	Epta Spa - Via Mecenate, 86 - 20138 Milano (MI) ITALIA Tel. 02/55403211 Telefax 02/55401023	10/27

- EN
- IT
- FR
- DE
- ES
- PT

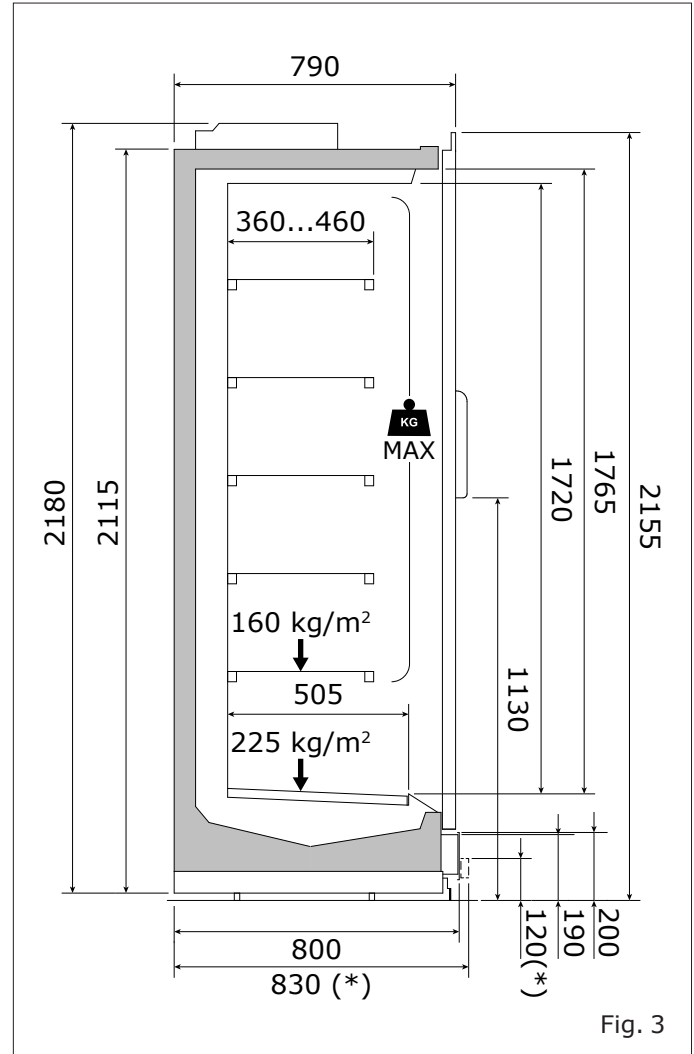
3. GENERAL DESCRIPTION




- 1. Light switch
- 2. Display
- 3. Rating plate
- 4. Lighting
- 5. Locking of the back panel
- 6. Lateral glass ends
- 7. Shelves
- 8. Bumper rail (optional)
- 9. Bottom plates

3.1 Sections

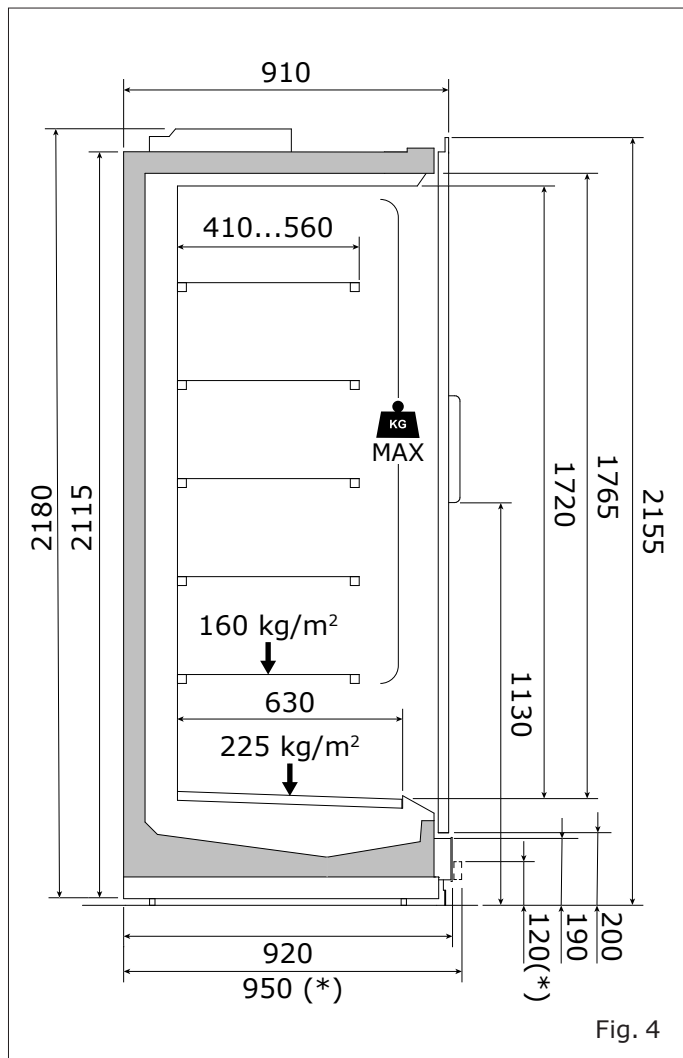
H2O SMALL



(*) optional

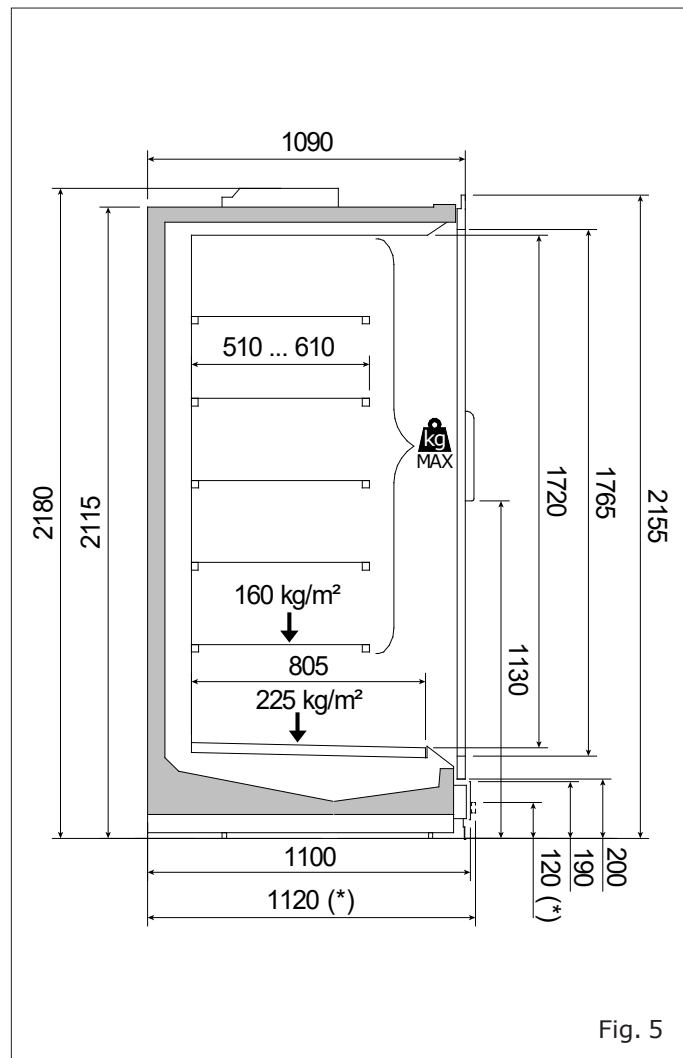
Modello - Modèle - Model Modell - Modelo - Modelo	ZENITH VP - REMOTE CLOSED	 epta refrigeration
Fabbricante - Constructeur - Manufacturer Hersteller - Fabricante - Fabricante	Epta Spa - Via Mecenate, 86 - 20138 Milano (MI) ITALIA Tel. 02/55403211 Telefax 02/55401023	11/27

H2O MEDIUM



(*) optional

H2O LARGE



(*) optional

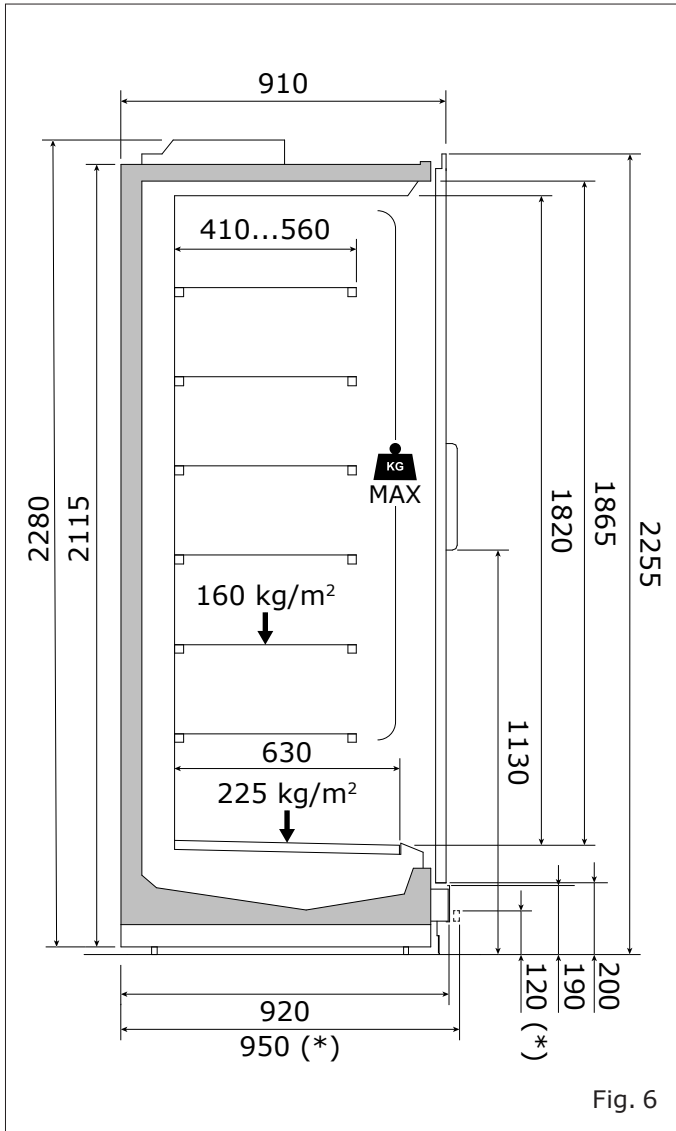
- EN
- IT
- FR
- DE
- ES
- PT

Modello - Modèle - Model Modell - Modelo - Modelo	ZENITH VP - REMOTE CLOSED	 epta refrigeration
Fabbricante - Constructeur - Manufacturer Hersteller - Fabricante - Fabricante	Epta Spa - Via Mecenate, 86 - 20138 Milano (MI) ITALIA Tel. 02/55403211 Telefax 02/55401023	12/27


User Manual

- EN
- IT
- FR
- DE
- ES
- PT

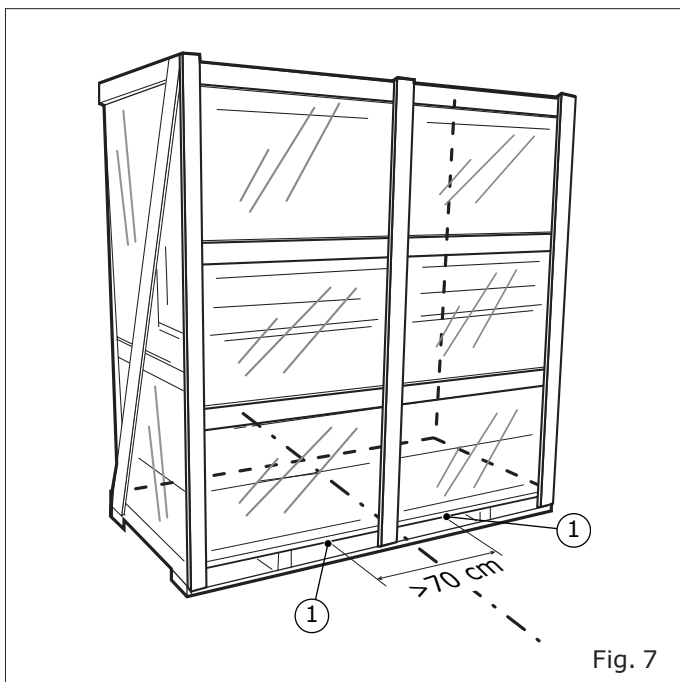
H22 MEDIUM



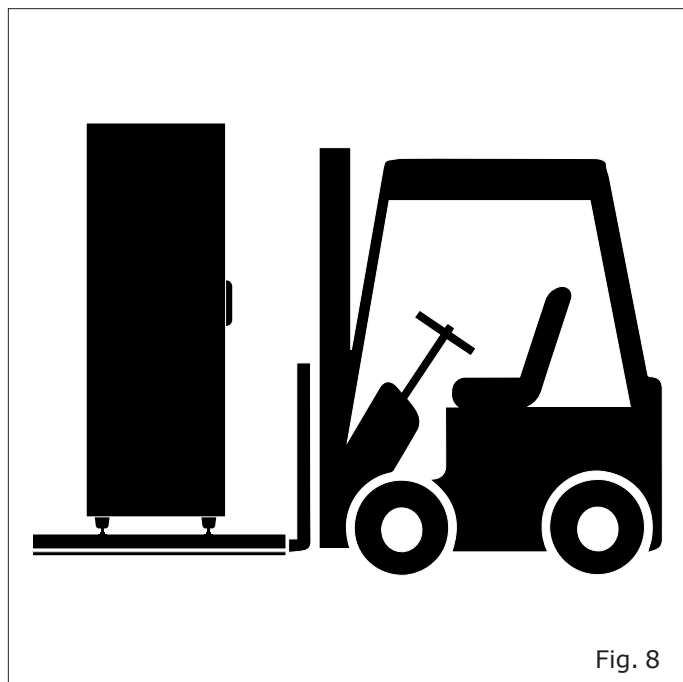
(*) optional

Modello - Modèle - Model Modell - Modelo - Modelo	ZENITH VP - REMOTE CLOSED	
Fabbricante - Constructeur - Manufacturer Hersteller - Fabricante - Fabricante	Epta Spa - Via Mecenate, 86 - 20138 Milano (MI) ITALIA Tel. 02/55403211 Telefax 02/55401023	13/27

4. TRANSPORTATION OF THE CABINET



1. Lifting points



EN


IT

FR

DE

ES

PT


Modello - Modèle - Model Modell - Modelo - Modelo	ZENITH VP - REMOTE CLOSED	 eptarefrigeration
Fabbricante - Constructeur - Manufacturer Hersteller - Fabricante - Fabricante	Epta Spa - Via Mecenate, 86 - 20138 Milano (MI) ITALIA Tel. 02/55403211 Telefax 02/55401023	14/27

User Manual

- EN
- IT
- FR
- DE
- ES
- PT

Chart I

Height	Depth	Length	Weight (kg)	Weight with packaging (kg)
2100	SMALL	1250	210	230
		1875	275	305
		2500	435	500
		3750	650	810
	MEDIUM	1250	230	250
		1875	300	330
		2500	470	500
		3750	720	760
		EOL 133	225	250
		EOL 184	450	500
		EOL 194	490	550
	LARGE	1250	250	270
		1875	325	355
		2500	505	535
		3750	770	810
		EOL 219	590	660
2200	LARGE	1250	270	290
		1875	355	385
		2500	535	565
		3750	810	850

Modello - Modèle - Model Modell - Modelo - Modelo	ZENITH VP - REMOTE CLOSED	 epta refrigeration
Fabbricante - Constructeur - Manufacturer Hersteller - Fabricante - Fabricante	Epta Spa - Via Mecenate, 86 - 20138 Milano (MI) ITALIA Tel. 02/55403211 Telefax 02/55401023	15/27

5. AMBIENT CONDITIONS

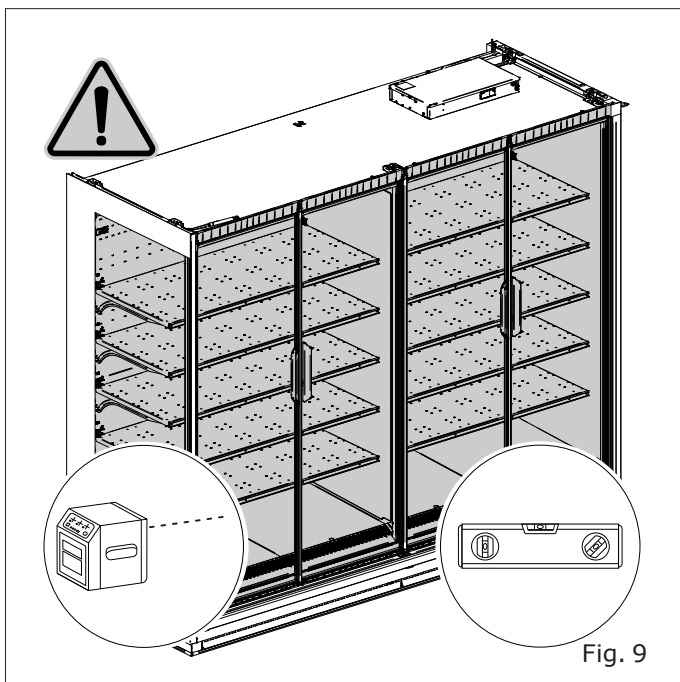
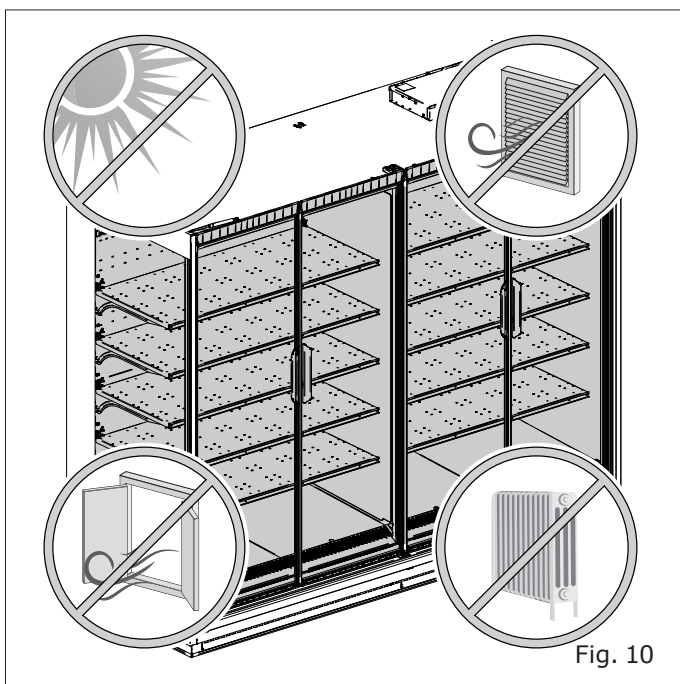


Chart II

Characteristics	
Type of premises	Closed
Temperature	25°C
Relative humidity	60 %
Lighting	600 lx



Modello - Modèle - Model Modell - Modelo - Modelo	ZENITH VP - REMOTE CLOSED	
Fabbricante - Constructeur - Manufacturer Hersteller - Fabricante - Fabricante	Epta Spa - Via Mecenate, 86 - 20138 Milano (MI) ITALIA Tel. 02/55403211 Telefax 02/55401023	16/27

User Manual

6. TECHNICAL FEATURES

 <small>EPTA S.p.A. Via Mecenate, 86 20138 Milano - Italy</small>			
①	②	③	④
RATED BEMESSUNG ASSIGNÉ NOMINALE NOMINAL		⑤	⑥
DEFROSTING ABTAUUNG DÉGIVRAGE SBRINAMENTO DESCONGELAMIENTO		⑦	⑧
HEATING SYSTEMS HEIZUNGSSYSTEME SYSTEMES CHAUFFANTS SISTEMI DI RISCALDAMENTO SISTEMA DE CALEFACCIÓN		⑨	
	⑩	PROTECTION INDEX SCHÜTZART INDEX DE LA PROTECTION INDICE DI PROTEZIONE ÍNDICE DE PROTECCIÓN	
 <small>Read Operator's Manual available at www.eptarefrigeration.com or calling: +39 0437 968379</small>	⑪	⑫	⑬
		⑭	⑮
		REFRIGERANT KÄLTEMITTEL RÉFRIGÉRANT REFRIGERANTE REFRIGERANTE	
		⑰	⑱
		⑲	⑳
		CLIMATIC CLASS KLIMAKLASSE CLASSE CLIMATIQUE CLASSE CLIMÁTICA	
		㉑	
		INSULATION BLOWING GAS ISOLATIONS GAS (BLÄHGAS) AGENT MOUSSANT D'ISOLATION GAS ESPUMANTE ISOLAMENTO AGENTE ESPUMANTE	
		㉒	
		㉓	
		㉔	

Fig. 11

- | | |
|--|---|
| <ul style="list-style-type: none"> 1. Origin of the product 2. Product in "Country of origin" 3. Rated voltage 4. Rated power 5. Rated frequency 6. Rated current 7. Defrosting power 8. Defrosting current 9. Heating system 10. Lighting system 11. Operator manual 12. Barcode 13. Serial number | <ul style="list-style-type: none"> 14. Date of production 15. Hat Code 16. Model/designation 17. Type of refrigerant 1 18. Refrigerant mass 1 19. Type of refrigerant 2 20. Refrigerant mass 2 21. Climate class 22. Gas isolation 23. Protection index 24. Certification brands |
|--|---|


6.1 Reference of models/designation

The table explains how to read the model code, indicating the relevant commercial information for each part of the reference (see label field number: "16").

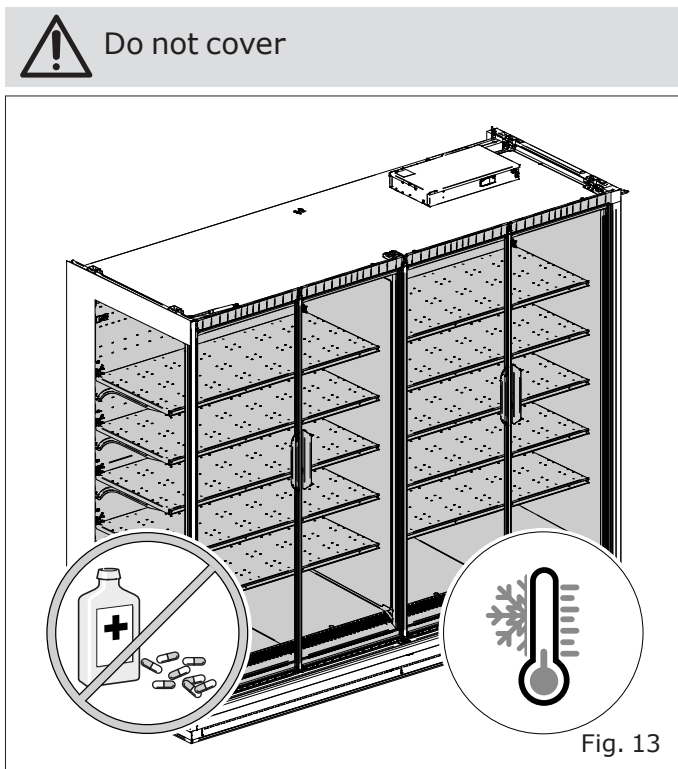
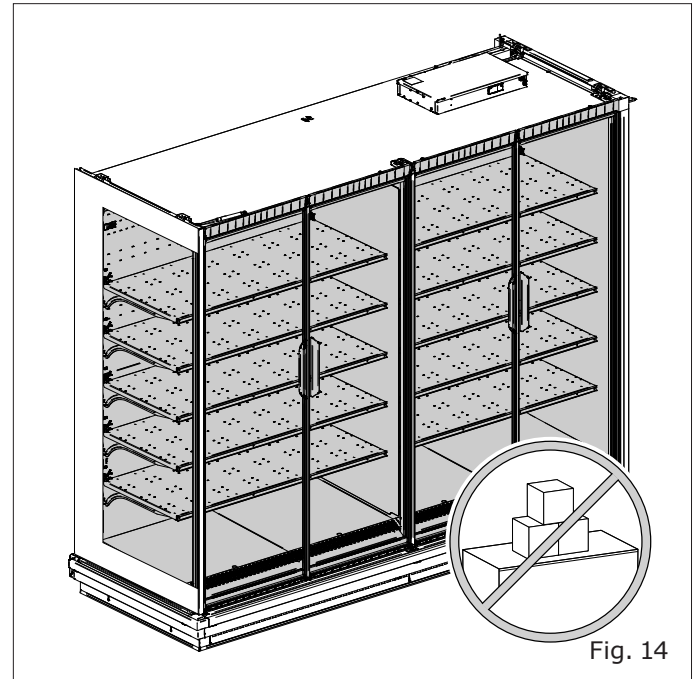
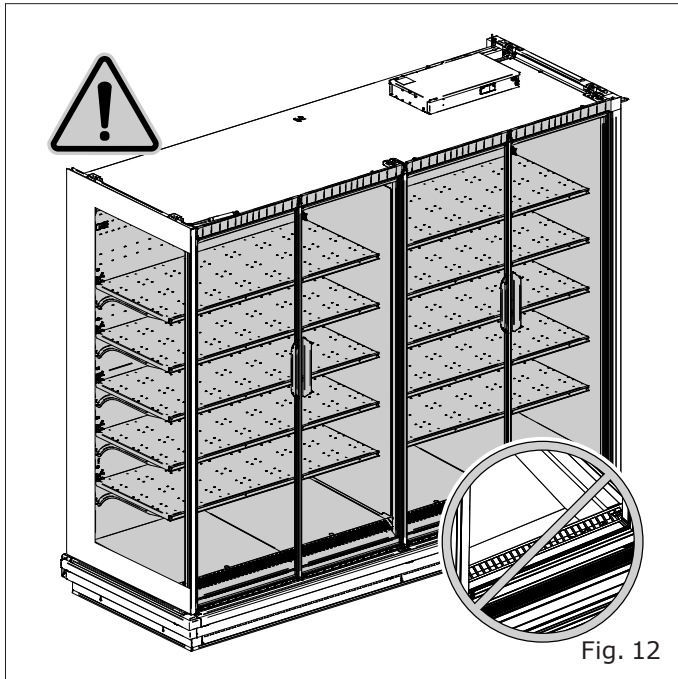
AL1aCbb (Refrigerated display cabinet)

Reference/designation	Description	Commercial information
AL1	Name	Zenith VP
a	Depth	S (SMALL), M (MEDIUM), L (LARGE)
C	Type	C (Closed)
bb	Length	12, 18, 25, 37, T1, T3, T4, T5


example : AL1MC37 - Zenith VP MEDIUM CLOSED 375

Modello - Modèle - Model Modell - Modelo - Modelo	<h1>ZENITH VP - REMOTE CLOSED</h1>	
Fabbricante - Constructeur - Manufacturer Hersteller - Fabricante - Fabricante	Epta Spa - Via Mecenate, 86 - 20138 Milano (MI) ITALIA Tel. 02/55403211 Telefax 02/55401023	17/27

7. USE OF CABINET

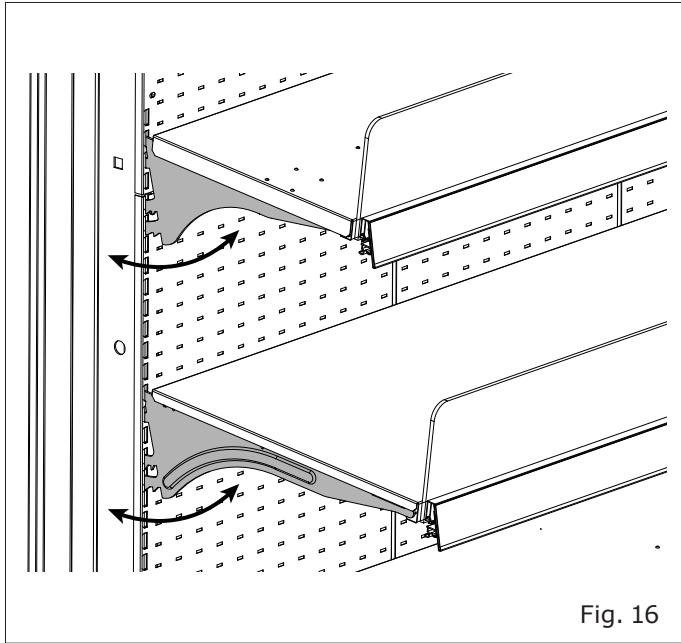


2. Temperature display

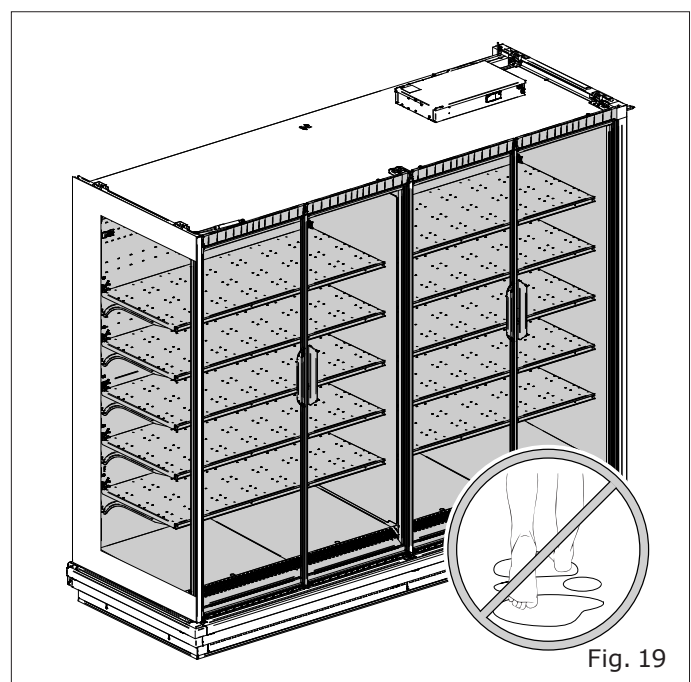
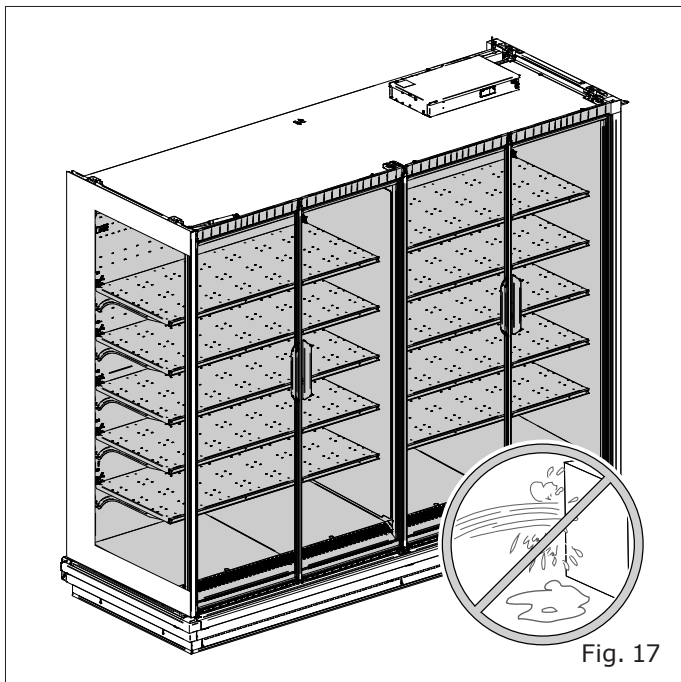
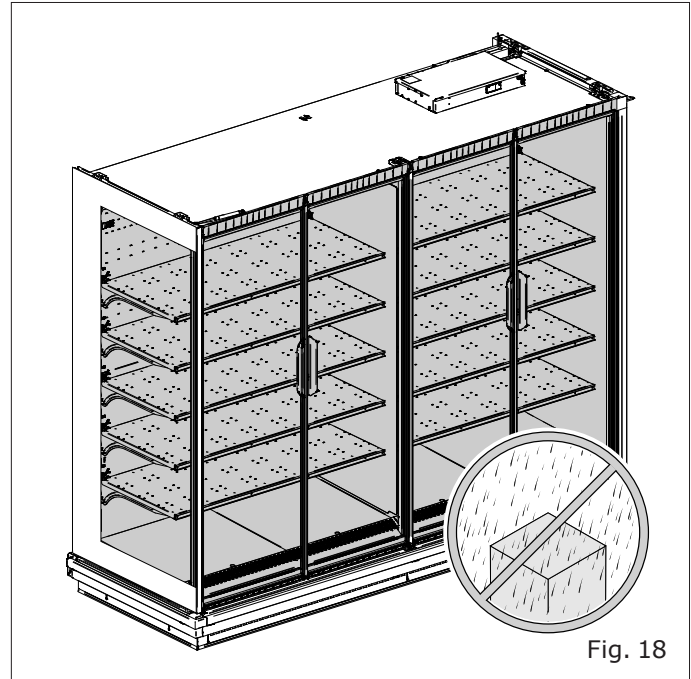
Modello - Modèle - Model Modell - Modelo - Modelo	<h1>ZENITH VP - REMOTE CLOSED</h1>	
Fabbricante - Constructeur - Manufacturer Hersteller - Fabricante - Fabricante	Epta Spa - Via Mecenate, 86 - 20138 Milano (MI) ITALIA Tel. 02/55403211 Telefax 02/55401023	18/27

User Manual

- EN
- IT
- FR
- DE
- ES
- PT



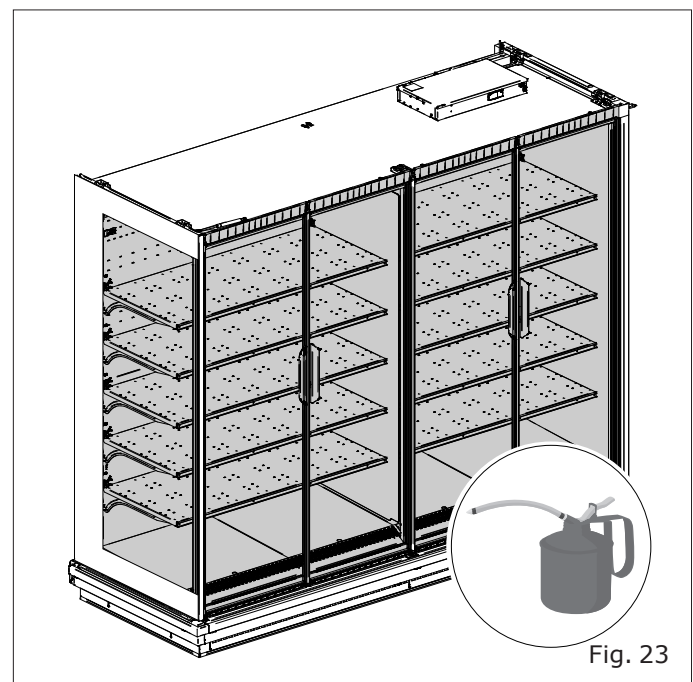
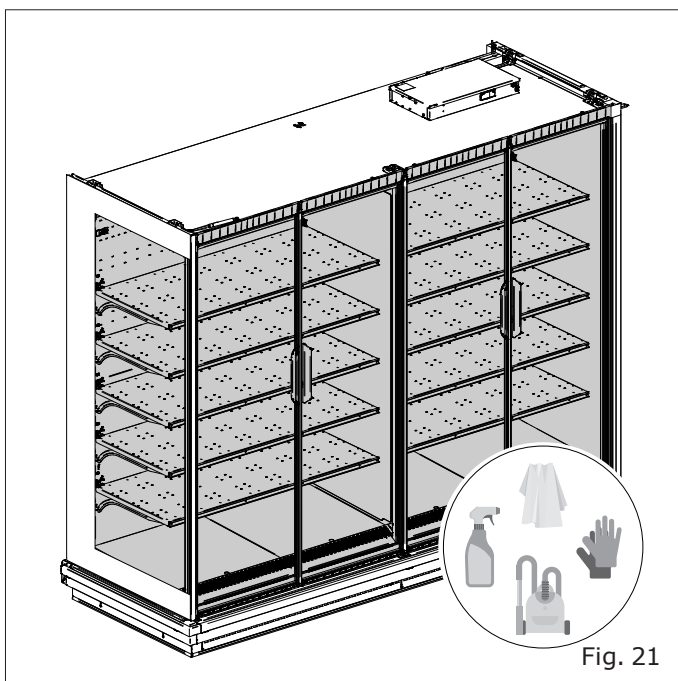
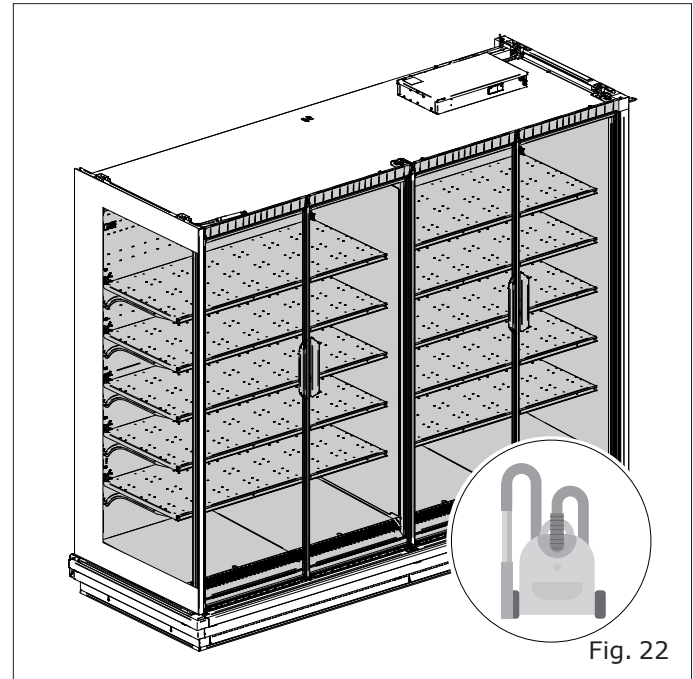
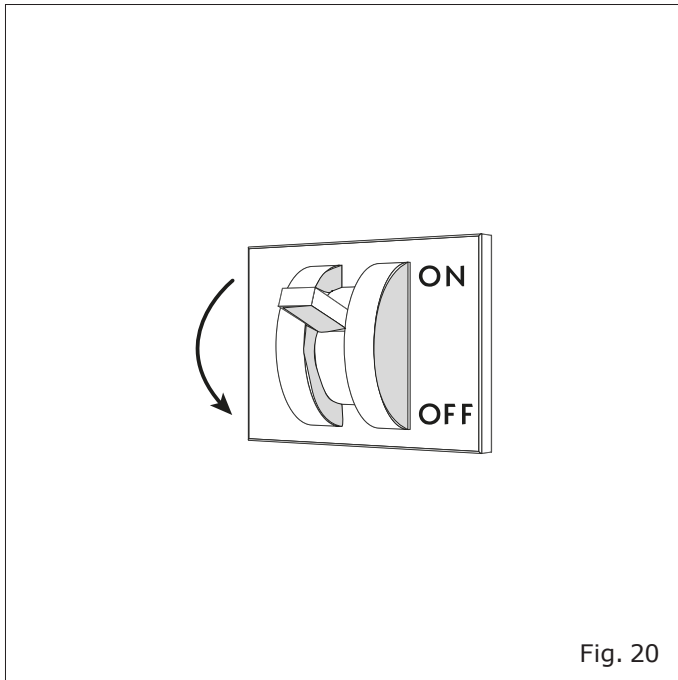
Inclination of shelves: 0° - 7° - 14° - 21°



Modello - Modèle - Model Modell - Modelo - Modelo	<h1>ZENITH VP - REMOTE CLOSED</h1>	
Fabbricante - Constructeur - Manufacturer Hersteller - Fabricante - Fabricante	Epta Spa - Via Mecenate, 86 - 20138 Milano (MI) ITALIA Tel. 02/55403211 Telefax 02/55401023	19/27

8. ORDINARY MAINTENANCE

8.1 Cleaning the cabinet



EN


IT

FR

DE

ES

PT

Modello - Modèle - Model Modell - Modelo - Modelo	ZENITH VP - REMOTE CLOSED	 epta refrigeration
Fabbricante - Constructeur - Manufacturer Hersteller - Fabricante - Fabricante	Epta Spa - Via Mecenate, 86 - 20138 Milano (MI) ITALIA Tel. 02/55403211 Telefax 02/55401023	20/27

9. SHELVES CONFIGURATION

H20

Level	SMALL	MEDIUM	LARGE
1 level minimum	All levels in 360 mm or All levels in 410 mm or All levels in 460 mm or Mixing in order from top to bottom : 360 - 410 - 460 mm	All levels in 410 mm or All levels in 460 mm or All levels in 510 mm or All levels in 560 mm or Mixing in order from top to bottom : 410 - 460 - 510 - 560 - 560 mm	All levels in 510 mm or All levels in 560 mm or All levels in 610 mm or Mixing in order from top to bottom : 510 - 560 - 610 mm
2 levels			
3 levels			
4 levels			
5 levels			
6 levels			
7 levels maximum	7 levels only without lighting or without internal mirror		

H22

Level	MEDIUM
1 level minimum	All levels in 410 mm or All levels in 460 mm or All levels in 510 mm or All levels in 560 mm or Mixing in order from top to bottom : 410 - 460 - 510 - 560 - 560 mm
2 levels	
3 levels	
4 levels	
5 levels	
6 levels	
7 levels maximum	7 levels only without lighting or without internal mirror

Modello - Modèle - Model Modell - Modelo - Modelo	ZENITH VP - REMOTE CLOSED	
Fabbricante - Constructeur - Manufacturer Hersteller - Fabricante - Fabricante	Epta Spa - Via Mecenate, 86 - 20138 Milano (MI) ITALIA Tel. 02/55403211 Telefax 02/55401023	21/27

10. USER INDICATIONS

10.1 Description of the cabinet

This display case was designed and manufactured exclusively for the display of fresh packed food, drinks and dairies.

TEMPERATURE CLASS (according to EN ISO 23953-2): 4M1 (*), 3M1, 3M0.

(*) Only in ADVANCE+ configuration

The general characteristics and the dimensions are illustrated in the figures and in the sections contained in "General description" (from pg. "10" to pg. "12").

The recommended temperature settings for each compartment, for optimal food storage, are indicated in the product information sheet available in EPREL or by accessing the website <https://eprel.eptarefrigeration.com> and following the instructions provided for database access.

During transport and handling, receipt and storage, installation, loading, use, cleaning and maintenance, dismantling, pay attention to the risk of overturning the cabinet ("Fig. 24").

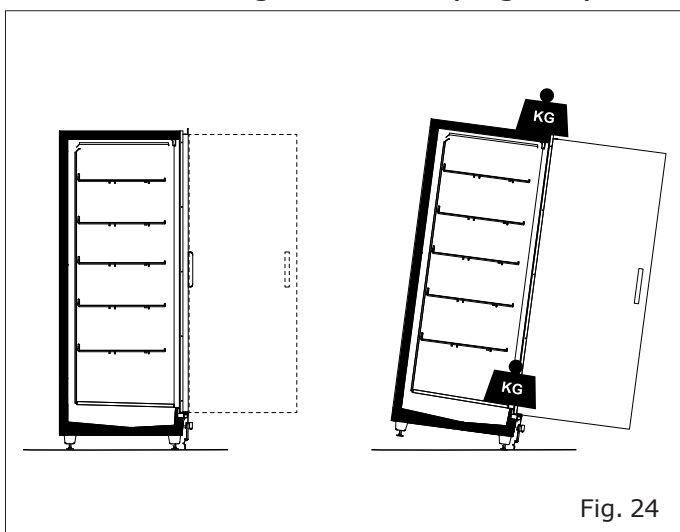


Fig. 24

10.2 Transport and handling

The cabinet is contained in a specific packaging equipped with a platform for handling with forklift trucks.

To transport and handle the cabinet use:

- Exclusively a dedicated or equivalent platform
- A manual or electric forklift suited to lifting the cabinet, with characteristics that comply with current Standards

The weights of the cabinet (empty and with packaging) and the dimensions of the packaging are shown in "Transportation of the cabinet" (chart "Chart I" to pg. "14").

The handling operations must be carried out by qualified staff able to assess weights, lifting points and most suitable means in terms of safety and capacity.

10.3 Receipt and storage

Check conditions of the packaging before accepting the cabinet from the carrier.

If there is obvious damage in the packaging:

- Remove the packaging of the cabinet in the presence of the carrier.
- Sign the delivery document with reservation

The manufacturer shall not be held responsible for any damage caused due to transport or incorrect storage of the cabinet.

The cabinet must be stored in a place sheltered from sun and weather, with a temperature of between -25°C and +55°C and a relative humidity of the air between 30% and 95%.

Modello - Modèle - Model Modell - Modelo - Modelo	ZENITH VP - REMOTE CLOSED	
Fabbricante - Constructeur - Manufacturer Hersteller - Fabricante - Fabricante	Epta Spa - Via Mecenate, 86 - 20138 Milano (MI) ITALIA Tel. 02/55403211 Telefax 02/55401023	22/27

10.4 Installation and ambient conditions

The cabinet is not designed to be installed outdoors.

For a correct operation of the cabinet, ensure that it is positioned:

- On a levelled floor ("Fig. 9").
- Far from heat sources, from the direct radiation of the sun, from doors, windows, fans and air vents ("Fig. 10").

Provide the space necessary for the use of the cabinet by the client.

The ambient conditions in which the cabinet should be placed are set out in: "Ambient conditions" (chart "Chart II", Pg."18").

10.5 Electrical connection

An omnipolar disconnect switch must be installed upstream of the cabinet. This must have adequate breaking power.

- Minimum distance of the contacts of 3 mm
- Adequate breaking power

The isolator switch must be positioned upstream of the unit and either be visible to the operator during cleaning and maintenance, or fitted with a locking device to secure it in the isolated (off) position.

Before connecting the cabinet, ensure that the supply voltage corresponds to the rating plate data of the cabinet. To guarantee smooth operation, the maximum voltage variation must be between +/- 6% of the nominal value.

10.6 Technical features

The serial number plate contains the cabinet's technical specifications. The position is indicated in ("Fig. 2") and the type of data are reported in: "Technical features" ("Fig. 11").

Wiring diagrams, control instrument calibration lists, installation instructions and copy of the Declaration of Conformity are available on the website <https://documents.eptarefrigeration.com>.

The sound pressure level generated by the operation of the cabinet is lower than 70 dB(A). The cabinet does not cause harmful vibrations.

10.7 Loading the product

Energise the cabinet to start its cooling cycle, by acting on the general disconnect switch mounted on the wall. After about 2 hours it is possible to load the cabinet.

The cabinet is suitable to maintain the temperature of the goods and not lower it; the foods, therefore, must be introduced inside it only if already cooled to the respective temperatures of preservation. Products which have been heated must never be introduced into the cabinet.


In the presence of glass fronts on the cabinet, it is recommended to load the goods when there is no customer in the sales area.

In loading the goods, ensure that:

- The load is homogeneous in terms of dimension and quality of the products.
- The goods do not obstruct the correct flow of refrigerated air ("Fig. 12")
- The goods do not exceed the load line.

Uniformly distributed maximum permissible load:

- On the bottom level: 225 kg/m²
- On the shelves: 160 kg/m²
- Out of total shelves: MAX 480 kg/m²

Modello - Modèle - Model Modell - Modelo - Modelo	ZENITH VP - REMOTE CLOSED	 epta refrigeration
Fabbricante - Constructeur - Manufacturer Hersteller - Fabricante - Fabricante	Epta Spa - Via Mecenate, 86 - 20138 Milano (MI) ITALIA Tel. 02/55403211 Telefax 02/55401023	23/27

10.8 Use of cabinet



For correct operation, we recommend verifying that the doors are not open.

Lighting

The cabinet lighting is controlled by a switch embedded in the upper right grille of the cabinet ("Fig. 2").

Display

A temperature display is positioned on the top right of the cabinet to control the temperature ("Fig. 15").

The temperature display shows the current temperature inside the housing, and the temperature is adjusted using the dedicated buttons.

Configuration and inclination of the display shelves

To ensure the correct performance that the cabinet was designed for, shelves must be arranged inside the cabinet according to specific configurations (table on page "20").

Shelf inclination can be set on 4 different positions, by moving the shelf supporting bracket on the display case's uprights. ("Fig. 16").

10.9 Cleaning and ordinary maintenance

Good visibility in the intervention area is recommended, possibly using an additional light source.

Cleaning the cabinet

Only use water at a maximum temperature of 65°C and household soap or neutral detergent diluted in water.

For glass surfaces use only products for cleaning glass. It is recommended to avoid the use of water since it may deposit limestone on the surface of the glass.

Never use:

- Abrasive sponges
- Flammable or abrasive products such as alcohol, acetone or solvents
- Detergents that contain non-ionic surfactants, lemon or vinegar (acetic acid)




Do not wash or clean the top part of the cabinet with water or liquids.

Clean all the external parts of the cabinet **ONCE A WEEK**.

Clean all the internal parts of the cabinet **ONCE A MONTH**, following the instructions below:

- Disconnect the power supply to the cabinet using the wall-mounted main switch-disconnector ("Fig. 20").
- Empty the cabinet, storing the goods in cold rooms or refrigerators to maintain the preservation temperature.
- Wait for the inside of the cabinet to have reached the ambient temperature and then clean
- After carefully checking that the inside of the cabinet is completely dry, restart the appliance by re-energising the cabinet.
- After a couple of hours, load the goods again.

Modello - Modèle - Model Modell - Modelo - Modelo	ZENITH VP - REMOTE CLOSED	 eptarefrigeration
Fabbricante - Constructeur - Manufacturer Hersteller - Fabricante - Fabricante	Epta Spa - Via Mecenate, 86 - 20138 Milano (MI) ITALIA Tel. 02/55403211 Telefax 02/55401023	24/27

EN
IT
FR
DE
ES
PT

When you put the cabinet out of service, disconnect the power and follow the passages above, leaving the doors open (if available) to avoid odours.

Defrost the cabinet **EVERY THREE MONTHS** to allow the ice to melt which may have formed on the fins of the evaporator preventing correct operation. The duration of the defrosting activity is regulated directly in the factory. Any adjustments are reserved exclusively for the technical service department. The defrosting water is collected by a special drain. Periodically check that the defrosting water drains normally. If not, intervene immediately using a non-pointed flexible probe.

Do as indicated to clean the internal parts **MONTHLY**, but in this case foresee a longer waiting time to allow the ice to melt completely.

10.10 Emergency situations

The cabinet does not start or it stops:


- Check there is no electrical blackout.
- Check that the main power switch on the wall is on.
- Check the cabinet plug is inserted into the socket.

If the power outage does not depend on these reasons, contact the nearest authorised service centre and empty completely and immediately store the product in cold rooms or refrigerators that can maintain the preservation temperature.

The cabinet does not cool sufficiently:

- Check that the cabinet is loading correctly.
- Defrost the cabinet and then resume normal operation, if this operation has not been carried out for more than three months.
- Check that the cabinet is not close to heat sources or air currents.
- Verify the ambient conditions; the reference values are contained in "Ambient conditions" ("Chart II", Pg."18").
- Check the flatness of the cabinet using a leveller.

If cooling failure persists, contact your nearest authorised service centre.

Modello - Modèle - Model Modell - Modelo - Modelo	ZENITH VP - REMOTE CLOSED	 epta refrigeration
Fabbricante - Constructeur - Manufacturer Hersteller - Fabricante - Fabricante	Epta Spa - Via Mecenate, 86 - 20138 Milano (MI) ITALIA Tel. 02/55403211 Telefax 02/55401023	25/27

The cabinet is noisy:

- Check screws and bolts are perfectly tightened.
- Check the flatness of the cabinet using a leveller.

If the inconvenience persists, contact your nearest authorised service centre.

10.11 Technical assistance

Where technical assistance personnel are required, contact immediately the supplier from whom the cabinet was purchased. If you need to use spare parts always refer to the technical assistance service: ask and ensure that original spare parts are used.

10.12 Dismantling and elimination

In accordance with the rules for dismantling waste in force in the individual Countries and to respect the environment in which we live, we ask you to separate the parts of the cabinet so that they can be disposed of separately or, if necessary, recover them appropriately. Not all parts of the cabinet are comparable to municipal solid waste with the exception of the metallic parts that, in any case, are not included in special waste for the majority of European Countries.



The refrigeration system is high pressure. Contact expert staff before disposing of it.

The components of the refrigeration circuit must not be cut and/or separated before the circuit is discharged, with the recovery of refrigerant gas by qualified personnel.

EN


IT

FR

DE

ES

PT

Modello - Modèle - Model Modell - Modelo - Modelo	ZENITH VP - REMOTE CLOSED	
Fabbricante - Constructeur - Manufacturer Hersteller - Fabricante - Fabricante	Epta Spa - Via Mecenate, 86 - 20138 Milano (MI) ITALIA Tel. 02/55403211 Telefax 02/55401023	26/27

11. SUPPLEMENTARY GENERAL WARNINGS

Instructions for correct installation and maintenance

The user and maintenance instructions are found in the User Manual available on the website:

www.eptarefrigeration.com.

The installation instructions dedicated to expert staff are available:

- From the service network
- In some categories of product in paper format delivered together with the product

Product information

The product information (EPREL) is available by accessing the website <https://eprel.eptarefrigeration.com> and following the instructions provided to access the database.

Warranty

The product is covered by warranty, under the terms of law, for a period of 12 months, unless otherwise expressly agreed by the parties.

Professional repair services

The services are provided by our service network which can be consulted in the contacts area at the website address www.eptarefrigeration.com.

Spare parts

The spare parts and the information for the repair of the appliance are available for at least 8 years after the product is declared out of production at the following web address: www.epta-service.com/service.

The log-in credentials are provided on request to send via mail to: servicesupport@eptarefrigeration.com.

Important information on food waste

It is recommended to follow attentively the instructions of preservation shown in the packages of the products and the indications provided by the food producers.

Therefore, the temperature settings must be suited to the characteristics of preservation of the food products consistently in accordance with the indications set out in our technical documentation.

Incorrect uses can result in deterioration.

Ambient conditions

This appliance is intended to function in environments in which the temperature and humidity fall within the limits provided for in the User and maintenance manual.

Instructions for disassembly


For disassembly activities, it is necessary to contact the professional operators.

The Epta Group, which has always been driven by a special attention for the environment, makes available the dismantling and waste treatment manuals to users, downloadable below

- Access the site www.bonnetneve.com



- Access the **technical area** section of the cabinet.

Modello - Modèle - Model Modell - Modelo - Modelo	ZENITH VP - REMOTE CLOSED	
Fabbricante - Constructeur - Manufacturer Hersteller - Fabricante - Fabricante	Epta Spa - Via Mecenate, 86 - 20138 Milano (MI) ITALIA Tel. 02/55403211 Telefax 02/55401023	27/27

Other information

For further and more detailed information, please refer to www.eptarefrigeration.com and to EPREL which is accessed through the QR code here or in the energy label of the product.



Limits of application



This cabinet is designed for the use, transport and storage of up to a maximum altitude of 2000 m above sea level.

Storage:

- Temperature between 15°C and 50°C
- Relative humidity between 20% and 90%
- Maximum time 6 months

Transport:

- Temperature between 20°C and 70°C
- Relative humidity between 20% and 90%
- Maximum time 2 months

Use:

The climate class of use is shown on the identification plate.

Below is an extract from the reference Standard, which clarifies the meaning of the alphanumeric characters:

Climate class	Dry bulb temperature	Relative humidity
[-]	[°C]	[%]
0	20	50
1	16	80
8	24	55
2	22	65
3	25	60
4	30	55
6	27	70
5	40	40
7	35	75

EXAMPLE Climate class 3 means 25°C / 60%R.H.

Performance




The external environmental conditions required for the correct operation of the cabinet are indicated on the identification plate.

The performance of the cabinet is not guaranteed outside of its normal use.



The minimum temperature must not be less than 16°C.

Modello - Modèle - Model Modell - Modelo - Modelo	ZENITH VP - REMOTE CLOSED	 epta refrigeration
Fabbricante - Constructeur - Manufacturer Hersteller - Fabricante - Fabricante	Epta Spa - Via Mecenate, 86 - 20138 Milano (MI) ITALIA Tel. 02/55403211 Telefax 02/55401023	4/27

INDICE

EN

IT

FR

DE

ES

PT

1. Introduzione	5
2. Avvertenze di sicurezza	6
2.1 Avvertenze generali	6
2.2 Avvertenze per la Manutenzione del banco	8
2.3 Avvertenze elettriche	8
2.4 Divieti	9
3. Descrizione generale	10
3.1 Sezioni	10
4. Trasporto del banco	13
5. Condizioni ambientali	15
6.1 Riferimento dei modelli/designazione	16
6. Caratteristiche tecniche	16
7. Uso del banco	17
8. Manutenzione ordinaria	19
8.1 Pulizia del banco	19
9. Definizione configurazioni ripiani	20
10. Indicazioni utente	21
10.1 Descrizione del banco	21
10.2 Trasporto e movimentazione	21
10.3 Ricezione ed immagazzinamento	21
10.4 Installazione e condizioni ambientali	22
10.5 Collegamento elettrico	22
10.6 Caratteristiche tecniche	22
10.7 Caricamento del prodotto	22
10.8 Uso del banco	23
10.9 Pulizia e manutenzione ordinaria	23
10.10 Situazioni di emergenza	24
10.11 Assistenza tecnica	25
10.12 Smantellamento ed eliminazione	25
11. Avvertenze generali integrative	26

SIMBOLOGIA UTILIZZATA



Simbolo divieto: vieta di effettuare determinate operazioni.




Simbolo attenzione: norme antinfortunistiche per l'operatore.



Simbolo avvertenze: esiste la possibilità di arrecare danno al banco e/o ai suoi componenti.



Simbolo nota: fornisce informazioni utili.

Modello - Modèle - Model Modell - Modelo - Modelo	ZENITH VP - REMOTE CLOSED	
Fabbricante - Constructeur - Manufacturer Hersteller - Fabricante - Fabricante	Epta Spa - Via Mecenate, 86 - 20138 Milano (MI) ITALIA Tel. 02/55403211 Telefax 02/55401023	5/27

1. INTRODUZIONE

Si raccomanda di leggere attentamente il contenuto del presente Manuale e conservarlo unitamente al banco stesso.

Il costruttore declina ogni responsabilità per danni causati a persone o cose dovuti alla mancata osservanza delle avvertenze contenute in questo Manuale.

Il presente manuale utente è applicabile ad una famiglia di prodotti disponibili in diverse configurazioni e dimensioni; le prestazioni e specifiche di ciascun modello sono completate dalle informazioni ricavabili dalla targa dati, dalla dichiarazione CE, nonché dalla etichetta energetica e relativa scheda informativa prodotto EPREL.

Il singolo modello può avere prestazioni differenti in funzione della specifica configurazione. L'etichetta energetica e la scheda informativa prodotto sono disponibili anche su <https://eprel.eptarefrigeration.com> inserendo la matricola riportata in targa dati.



Fig. 1

Il presente Manuale contiene informazioni ritenute necessarie per il buon uso e funzionamento del banco.

Al suo interno si trovano le seguenti descrizioni e informazioni:

- una descrizione funzionale del banco e di ogni sua parte
- informazioni sulla sicurezza del banco e le regole antinfortunistiche da seguire
- un corretto utilizzo del banco
- una corretta manutenzione ordinaria e programmata, comprese le operazioni di pulizia

Informazioni non contenute nel presente Manuale:

- Istruzioni di installazione

Per la corretta installazione del banco si faccia riferimento ai seguenti documenti:

- Technical Manual
- Quick Reference Instructions

Il presente Manuale è rivolto alle seguenti figure professionali:

- **OPERATORE QUALIFICATO** persona qualificata, istruita per il funzionamento, la regolazione, la pulizia e la manutenzione ordinaria del banco
- **TECNICO SPECIALIZZATO** tecnico addestrato e autorizzato dall'ente indicato nel contratto (costruttore/concessionario/distributore) a eseguire: installazione, manutenzione straordinaria, riparazione, sostituzione e revisione del banco

Le istruzioni d'uso sono disponibili anche su: www.eptarefrigeration.com.

Fare riferimento alla dichiarazione di conformità per le normative e le certificazioni del banco.

Conservare sempre il libretto d'istruzione e in caso di vendita dell'apparecchio consegnarlo al nuovo proprietario.

Modello - Modèle - Model Modell - Modelo - Modelo	ZENITH VP - REMOTE CLOSED	 epta refrigeration
Fabbricante - Constructeur - Manufacturer Hersteller - Fabricante - Fabricante	Epta Spa - Via Mecenate, 86 - 20138 Milano (MI) ITALIA Tel. 02/55403211 Telefax 02/55401023	6/27

2. AVVERTENZE DI SICUREZZA

2.1 Avvertenze generali



La designazione dell'apparecchio è riportata a pagina "16"



Avvertenza di sicurezza per i sistemi che utilizzano R744 (CO₂) in regime transcritico. L'evaporatore del mobile, posizionato a valle della valvola di espansione, è progettato per operare in condizioni subcritiche.



Il costruttore declina ogni responsabilità per danni causati a persone o cose dovuti alla mancata osservanza delle avvertenze contenute in questo manuale. Qualsiasi persona utilizzi questo banco dovrà leggere il presente manuale d'uso.



Il datore di lavoro deve istruire il personale sui rischi da infortuni, sui dispositivi predisposti per la sicurezza del personale, sui rischi di emissione di rumore e sulle regole antinfortunistiche generali previste dalle norme in vigore.



L'utilizzo del banco per scopi non tecnici, quali ad esempio l'apertura delle porte per prelevare i prodotti esposti, può essere effettuato anche da bambini di età pari o superiore a 8 anni, oppure da persone con ridotte capacità fisiche, sensoriali o mentali, o prive di esperienza e conoscenza, purché siano state adeguatamente sorvegliate o istruite sull'uso dell'apparecchio in condizioni di sicurezza e abbiano compreso i pericoli connessi.

I bambini devono essere sorvegliati affinché non giochino con l'apparecchio.

La pulizia e la manutenzione non devono essere effettuate da bambini senza supervisione.



Ogni altro uso non esplicitamente indicato in questo manuale è da considerarsi pericoloso ed il costruttore non può essere ritenuto responsabile per eventuali danni derivanti da uso improprio, erroneo ed irragionevole.



Il banco deve essere utilizzato da personale dotato degli opportuni dispositivi di protezione individuali.



È obbligatorio l'uso di guanti da lavoro.



Non lasciare esposto il banco agli agenti atmosferici.



Non utilizzare getti d'acqua diretti o indiretti sul banco.




Non toccare il banco con mani e piedi bagnati o umidi, non usare il banco a piedi nudi.



La rimozione di protezioni o pannellature che richiedono l'uso di utensili per essere rimosse è riservata esclusivamente al personale qualificato.



L'uso tecnico del banco è riservato a persone autorizzate e istruite alle attività; tra le attività di uso tecnico rientrano ad esempio l'accensione, le regolazioni, la pulizia e la manutenzione.

Modello - Modèle - Model Modell - Modelo - Modelo	ZENITH VP - REMOTE CLOSED	 epta refrigeration
Fabbricante - Constructeur - Manufacturer Hersteller - Fabricante - Fabricante	Epta Spa - Via Mecenate, 86 - 20138 Milano (MI) ITALIA Tel. 02/55403211 Telefax 02/55401023	7/27



Per il montaggio di accessori opzionali dedicati, rivolgersi al più vicino centro di assistenza autorizzato.



Le informazioni relative al carico massimo ammesso per ciascun tipo di ripiano sono riportate a pagina "22".



Ogni intervento deve essere eseguito esclusivamente da personale qualificato.



Tutte le operazioni di movimentazione, trasporto, assemblaggio e smontaggio, durante la messa fuori servizio e durante lo smaltimento, devono essere eseguite esclusivamente da personale qualificato.



Ogni intervento deve essere eseguito esclusivamente da personale qualificato e, in ogni caso, prima di ogni intervento si deve scollegare l'alimentazione elettrica del banco.



Istruire chiunque usi il banco sulla posizione dell'interruttore sezionatore.



Gli interventi sul termostato sono riservati esclusivamente al personale tecnico di assistenza.



Prestare attenzione alle parti calde o in movimento contrassegnate con l'apposito simbolo.



In caso di incendio, non usare acqua per spegnere le fiamme ma solo estintori a secco.



Non danneggiare il circuito refrigerante.



Evitare fuochi o scintille all'interno dell'apparecchio.



Mantenere libere da ostruzioni le aperture di ventilazione nell'involucro dell'apparecchio.



Non utilizzare apparecchi elettrici all'interno degli scomparti dell'apparecchio destinati alla conservazione di alimenti freschi o congelati, se non del tipo raccomandato dal costruttore.



Non conservare sostanze esplosive o pericolose, quali contenitori sotto pressione con propellente infiammabile, in questo apparecchio.



Non posizionare contenitori di liquido e non versare liquidi sul banco.



Non lasciare pesi sopra il tetto del banco; è opportuno evitare di poggiare le derrate non imballate direttamente sui ripiani, ma utilizzare idonei contenitori per alimenti.



Questo apparecchio è progettato per funzionare in classe climatica ambientale 3 o 4; la definizione della classe climatica ambientale è riportata a pagina "27".

EN


IT

FR

DE

ES

PT

Modello - Modèle - Model Modell - Modelo - Modelo	ZENITH VP - REMOTE CLOSED	 epta refrigeration
Fabbricante - Constructeur - Manufacturer Hersteller - Fabricante - Fabricante	Epta Spa - Via Mecenate, 86 - 20138 Milano (MI) ITALIA Tel. 02/55403211 Telefax 02/55401023	8/27

EN

IT

FR

DE

ES

PT

2.2 Avvertenze per la Manutenzione del banco



Le operazioni di manutenzione sono riservate esclusivamente a personale autorizzato.



L'accesso a parti elettriche e/o parti che richiedono l'utilizzo di utensili è riservato a tecnici specializzati.



Prima di qualsiasi operazione di manutenzione e pulizia riservate all'utente, togliere tensione al banco tramite l'interruttore sezionatore generale a parete.



Prestare attenzione alle parti calde o in movimento contrassegnate con l'apposito simbolo.



È obbligatorio l'uso di guanti da lavoro.



È importante rispettare il tipo e la frequenza delle ispezioni e degli interventi di manutenzione necessari per un funzionamento sicuro, inclusi gli interventi di manutenzione preventiva, come descritto nel paragrafo "Pulizia e manutenzione ordinaria" a pagina "23".

2.3 Avvertenze elettriche



Accertarsi che la tensione di alimentazione corrisponda ai dati di targa del banco.



L'installazione elettrica deve essere eseguita a regola d'arte da tecnici specializzati.



La rimozione della copertura del quadro elettrico è riservata a tecnici specializzati.



Conformemente alle regole di installazione, la rete di alimentazione deve includere un dispositivo per la disconnessione omipolare, che assicuri la disconnessione completa dalla rete nelle condizioni della categoria di sovratensione III.



L'installazione del banco deve essere effettuata secondo le istruzioni del costruttore, da personale professionalmente qualificato e conformemente alle norme sugli impianti elettrici vigenti nei singoli Paesi.



Un'errata installazione del banco può causare danni a persone, animali o cose, nei confronti dei quali il costruttore non può essere considerato responsabile.




Se il cavo di alimentazione è danneggiato, deve essere sostituito da personale di assistenza autorizzato per evitare qualsiasi pericolo. Non tentare di riparare il cavo.





Non alimentare il banco se è danneggiato. In caso di dubbi, contattare il servizio di assistenza o il rivenditore.


Modello - Modèle - Model Modell - Modelo - Modelo	ZENITH VP - REMOTE CLOSED	 epta refrigeration
Fabbricante - Constructeur - Manufacturer Hersteller - Fabricante - Fabricante	Epta Spa - Via Mecenate, 86 - 20138 Milano (MI) ITALIA Tel. 02/55403211 Telefax 02/55401023	9/27


2.4 Divieti


 È fatto divieto di utilizzare dispositivi oltre a quelli forniti nel banco dal produttore, per accelerare il processo di sbrinamento.


 È fatto divieto, da parte di personale non specializzato, di rimuovere la copertura del quadro elettrico o aprire pannellature che richiedano l'utilizzo di utensili.


 È fatto divieto di utilizzare il banco per la conservazione e/o l'esposizione di sostanze esplosive, infiammabili o corrosive, come ad esempio bombolette spray con un propellente infiammabile.


 È fatto divieto di utilizzare il banco per la conservazione e/o l'esposizione di prodotti farmaceutici.

 È fatto divieto, in caso di **PRODOTTI NON CONFEZIONATI O CONSERVATI A BASSA TEMPERATURA**, di utilizzare il banco per la conservazione e/o l'esposizione di bottiglie ed imballi in vetro.

 È fatto divieto di collocare il banco in ambienti in cui sono presenti sostanze gassose esplosive.

 È fatto divieto di rimuovere la targa matricolare del banco.

 È fatto divieto di salire sul banco o sul batticarrello del banco.

 È fatto divieto di sostituzione di componenti e/o modifica del banco al di fuori delle specifiche previste dal costruttore, sostituzione di ricambi originali con altri non omologati dal costruttore, pena la decadenza delle condizioni di garanzia.

EN


IT

FR

DE

ES

PT

Modello - Modèle - Model Modell - Modelo - Modelo	ZENITH VP - REMOTE CLOSED	
Fabbricante - Constructeur - Manufacturer Hersteller - Fabricante - Fabricante	Epta Spa - Via Mecenate, 86 - 20138 Milano (MI) ITALIA Tel. 02/55403211 Telefax 02/55401023	10/27

EN

IT

FR

DE

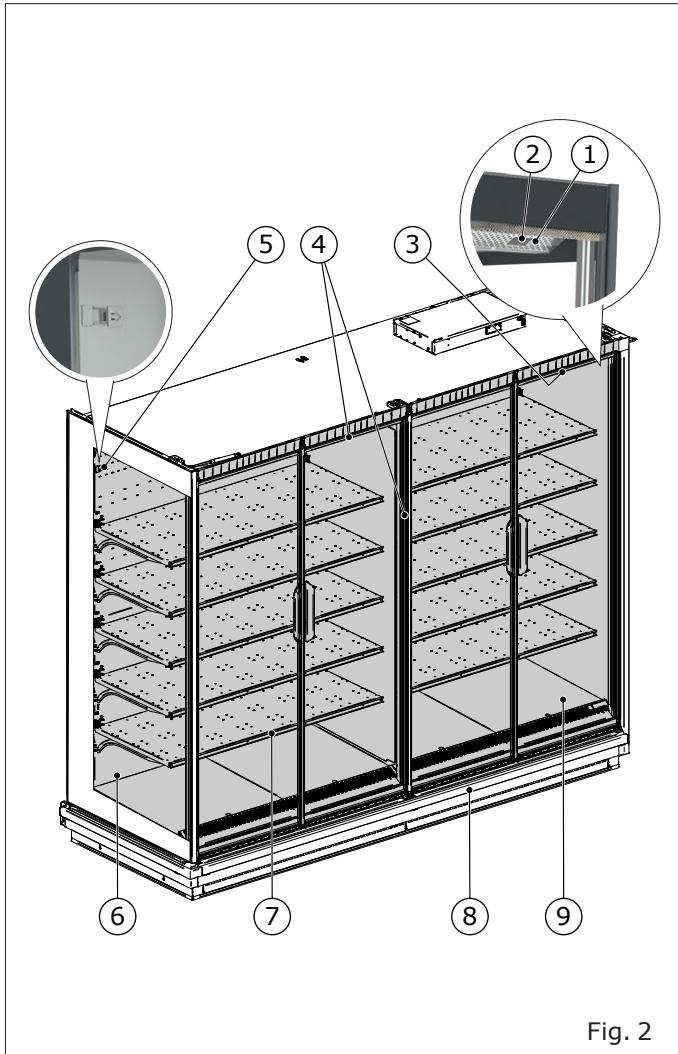
ES

PT

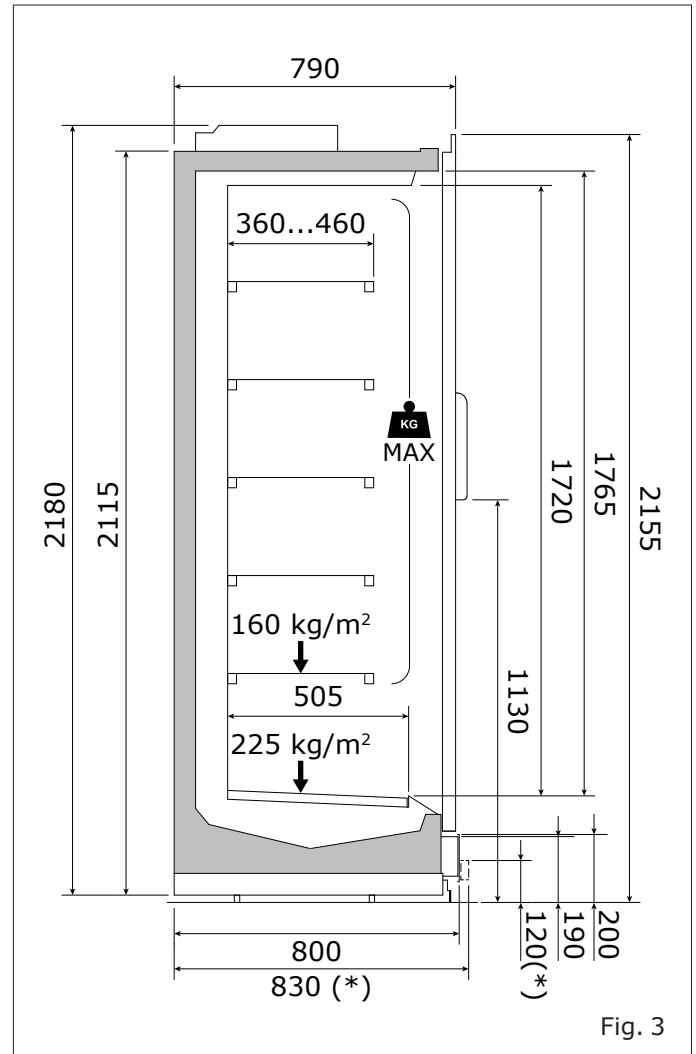
3. DESCRIZIONE GENERALE

3.1 Sezioni


H2O SMALL



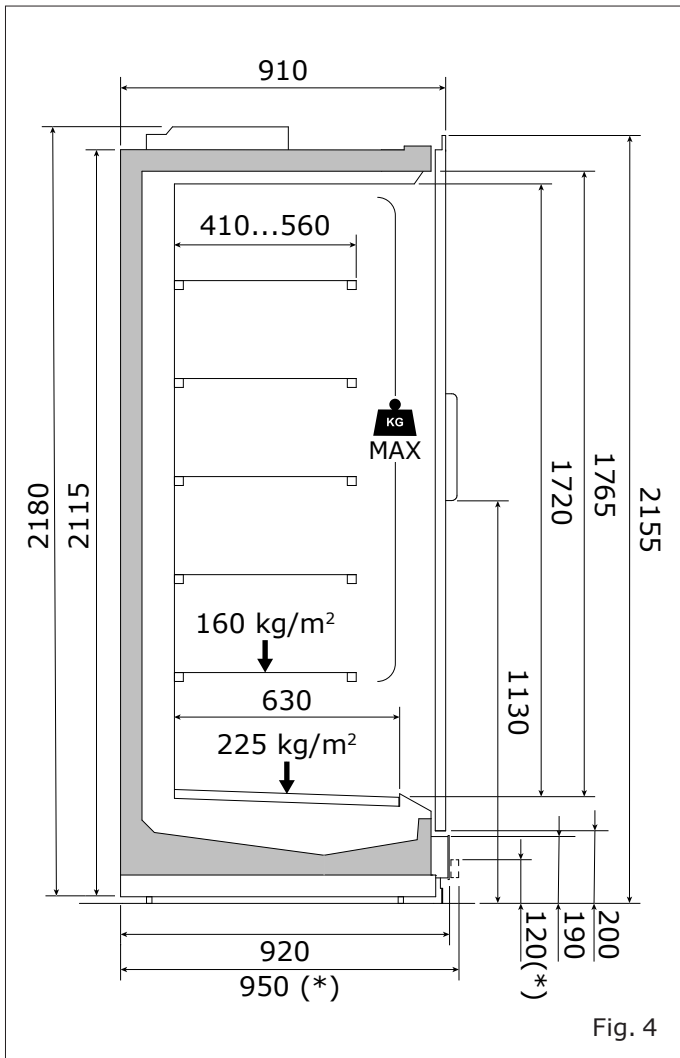
1. Interruttore luci
2. Display
3. Targa dati
4. Illuminazione
5. Sistema di bloccaggio del pannello posteriore
6. Spalla in vetro
7. Ripiani
8. Batticarrello (opzionale)
9. Piani di fondo



(*) opzionale

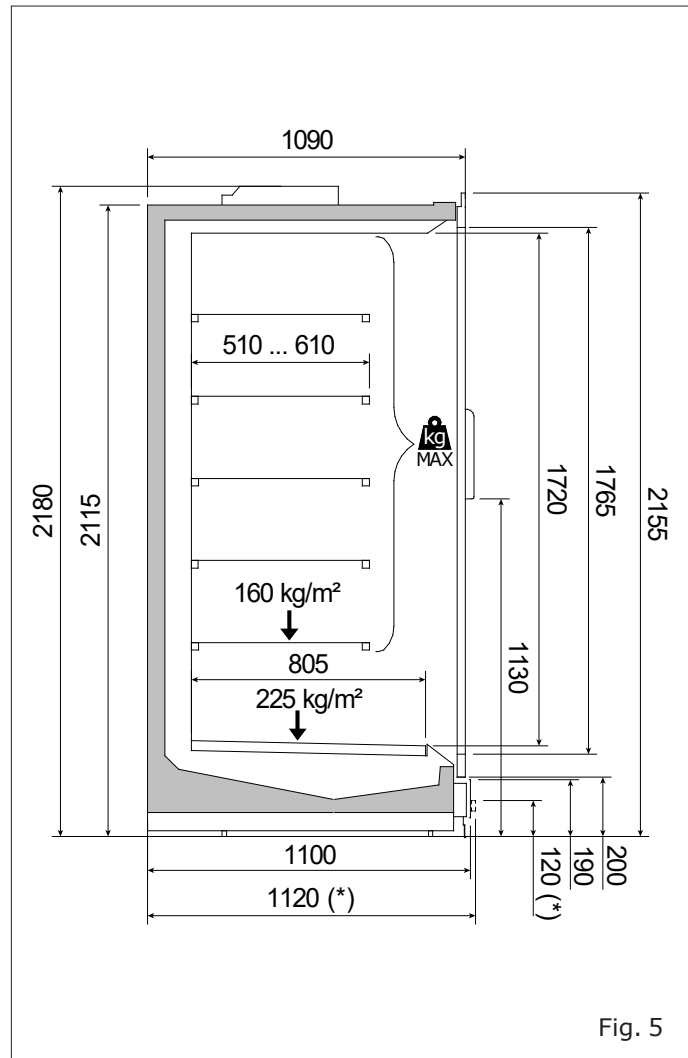
Modello - Modèle - Model Modell - Modelo - Modelo	ZENITH VP - REMOTE CLOSED	
Fabbricante - Constructeur - Manufacturer Hersteller - Fabricante - Fabricante	Epta Spa - Via Mecenate, 86 - 20138 Milano (MI) ITALIA Tel. 02/55403211 Telefax 02/55401023	11/27

H2O MEDIUM




(*) opzionale

H2O LARGE



(*) opzionale

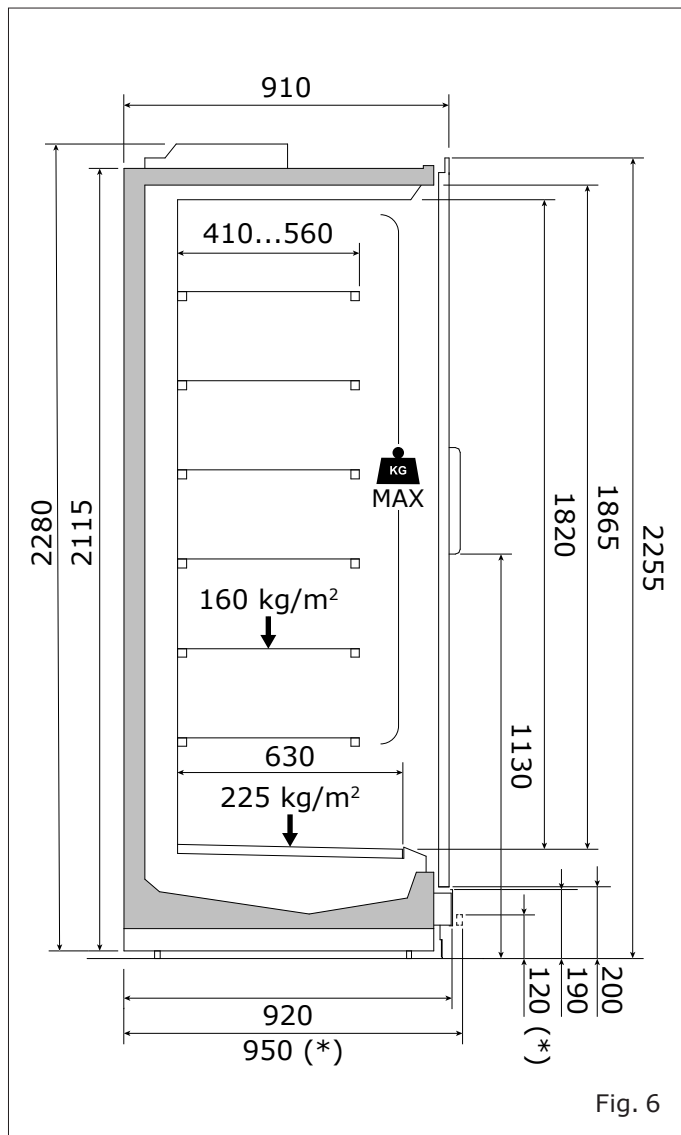
- EN
- IT
- FR
- DE
- ES
- PT

Modello - Modèle - Model Modell - Modelo - Modelo	<h1>ZENITH VP - REMOTE CLOSED</h1>	 eptarefrigeration
Fabbricante - Constructeur - Manufacturer Hersteller - Fabricante - Fabricante	Epta Spa - Via Mecenate, 86 - 20138 Milano (MI) ITALIA Tel. 02/55403211 Telefax 02/55401023	12/27

User Manual

- EN
- IT
- FR
- DE
- ES
- PT

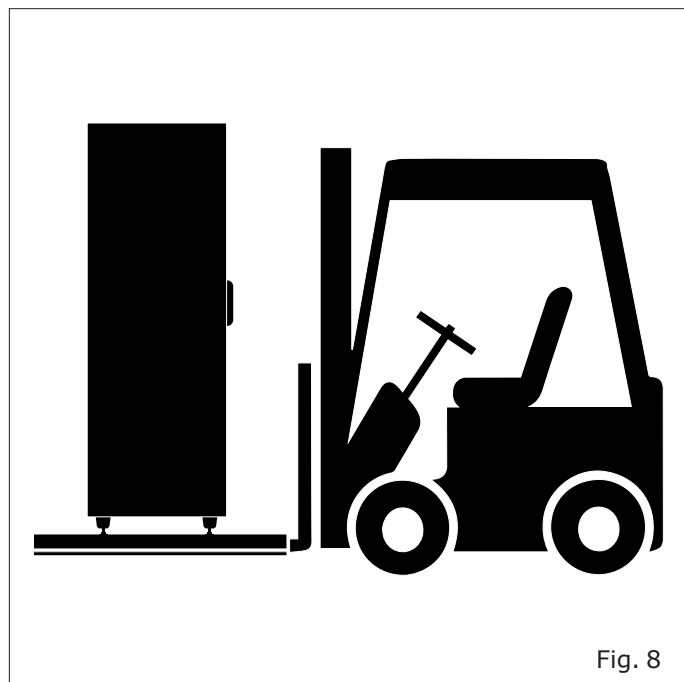
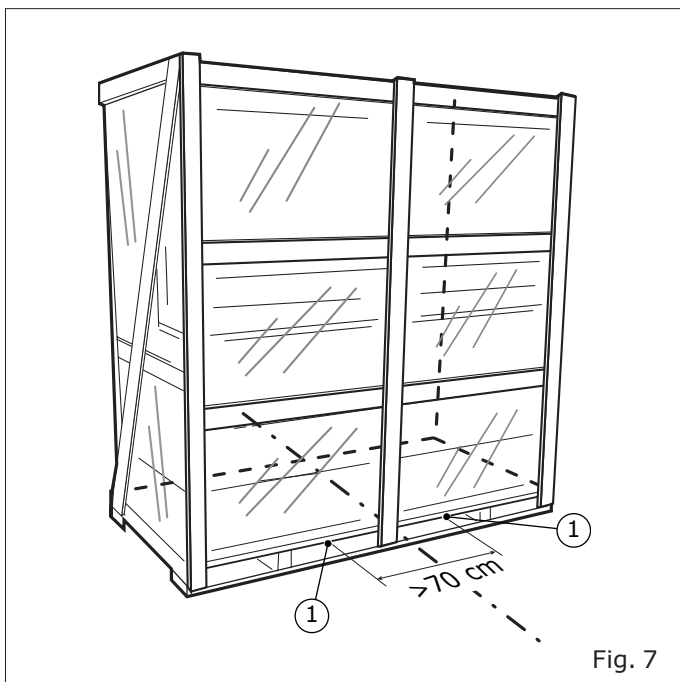
H22 MEDIUM



(*) opzionale

Modello - Modèle - Model Modell - Modelo - Modelo	ZENITH VP - REMOTE CLOSED	
Fabbricante - Constructeur - Manufacturer Hersteller - Fabricante - Fabricante	Epta Spa - Via Mecenate, 86 - 20138 Milano (MI) ITALIA Tel. 02/55403211 Telefax 02/55401023	13/27

4. TRASPORTO DEL BANCO



1. Punti di sollevamento

EN


IT

FR

DE

ES


PT

Modello - Modèle - Model Modell - Modelo - Modelo	ZENITH VP - REMOTE CLOSED	
Fabbricante - Constructeur - Manufacturer Hersteller - Fabricante - Fabricante	Epta Spa - Via Mecenate, 86 - 20138 Milano (MI) ITALIA Tel. 02/55403211 Telefax 02/55401023	14/27

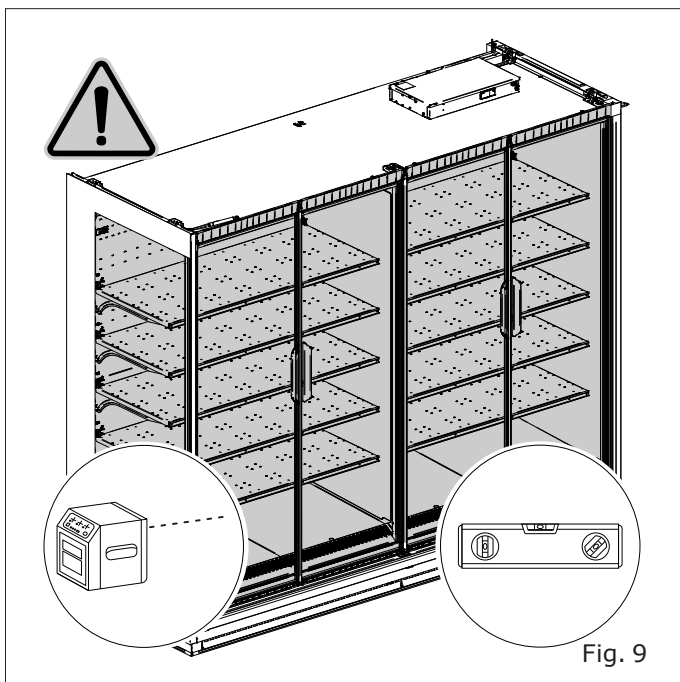
User Manual

Tab. I

Altezza	Profondità	Lunghezza	Peso (kg)	Peso con imballo (kg)
2100	SMALL	1250	210	230
		1875	275	305
		2500	435	500
		3750	650	810
	MEDIUM	1250	230	250
		1875	300	330
		2500	470	500
		3750	720	760
		EOL 133	225	250
		EOL 184	450	500
		EOL 194	490	550
	LARGE	1250	250	270
		1875	325	355
		2500	505	535
		3750	770	810
		EOL 219	590	660
2200	LARGE	1250	270	290
		1875	355	385
		2500	535	565
		3750	810	850

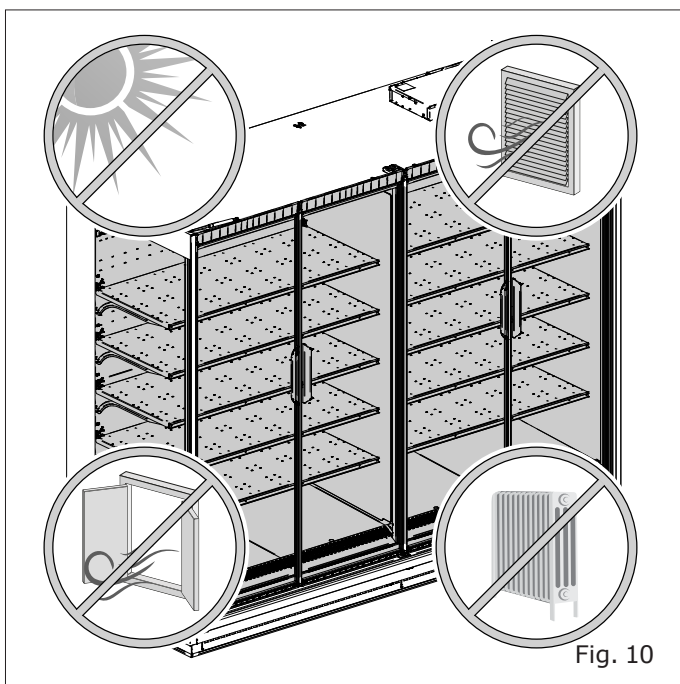
Modello - Modèle - Model Modell - Modelo - Modelo	ZENITH VP - REMOTE CLOSED	
Fabbricante - Constructeur - Manufacturer Hersteller - Fabricante - Fabricante	Epta Spa - Via Mecenate, 86 - 20138 Milano (MI) ITALIA Tel. 02/55403211 Telefax 02/55401023	15/27

5. CONDIZIONI AMBIENTALI



Tab. II

Caratteristiche	
Tipo di locale	Chiuso
Temperatura	25°C
Umidità relativa	60 %
Illuminazione	600 lx



Modello - Modèle - Model Modell - Modelo - Modelo	ZENITH VP - REMOTE CLOSED	
Fabbricante - Constructeur - Manufacturer Hersteller - Fabricante - Fabricante	Epta Spa - Via Mecenate, 86 - 20138 Milano (MI) ITALIA Tel. 02/55403211 Telefax 02/55401023	16/27

6. CARATTERISTICHE TECNICHE

 <small>EPTA S.p.A. Via Mecenate, 86 20138 Milano - Italy</small>		12	
1 2		SN 13	14
REF 15		16	
<small>RATED BEMESSUNG ASSIGNÉ NOMINALE NOMINAL</small>	3	4	<small>REFRIGERANT KÄLTEMITTEL RÉFRIGÉRANT REFRIGÉRANTE REFRIGERANTE</small>
5	6	17	18
<small>DEFROSTING ABTAUUNG DÉGIVRAGE SBRINAMENTO DESCONGELAMIENTO</small>	7	<small>CLIMATIC CLASS KLIMAKLASSE CLASSE CLIMATIQUE CLASSE CLIMATICA CLASE CLIMÁTICA</small>	
8	8	21	
<small>HEATING SYSTEMS HEIZUNGSSYSTEME SYSTEMES CHAUFFANTS SISTEMI DI RISCALDAMENTO SISTEMA DE CALEFACCIÓN</small>	9	<small>INSULATION BLOWING GAS ISOLATIONS GAS (BLÄHGAS) AGENT MOUSSANT D'ISOLATION GAS ESPANDENTE ISOLAMENTO AGENTE ESPUMANTE</small>	
10	<small>PROTECTION INDEX SCHÜTZART INDEX DE LA PROTECTION INDICE DI PROTEZIONE ÍNDICE DE PROTECCIÓN</small>		23
	11	24	
<small>Read Operator's Manual available at www.eptarefrigeration.com or calling: +39 0437 968379</small>			

Fig. 11

- | | |
|---|--|
| <ol style="list-style-type: none"> 1. Origine del prodotto 2. Prodotto in "Paese di origine" 3. Tensione nominale 4. Potenza nominale 5. Frequenza nominale 6. Corrente Nominale 7. Potenza di sbrinamento 8. Corrente di sbrinamento 9. Sistema di riscaldamento 10. Sistema di illuminazione 11. Manuale dell'operatore 12. Codice a barre 13. Numero di serie | <ol style="list-style-type: none"> 14. Data di produzione 15. Hat Code 16. Modello/designazione 17. Tipo di refrigerante 1 18. Massa refrigerante 1 19. Tipo di refrigerante 2 20. Massa refrigerante 2 21. Classe climatica 22. Isolamento gas 23. Indice di protezione 24. Marchi di certificazione |
|---|--|


6.1 Riferimento dei modelli/designazione

La tabella spiega come leggere il codice modello, indicando le informazioni commerciali rilevanti per ciascuna parte del riferimento (vedere campo etichetta numero: "16").

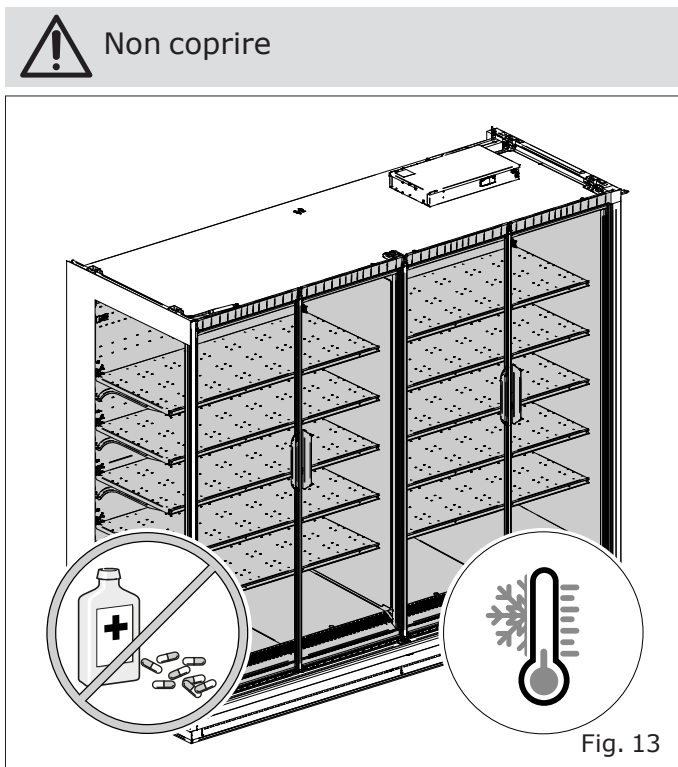
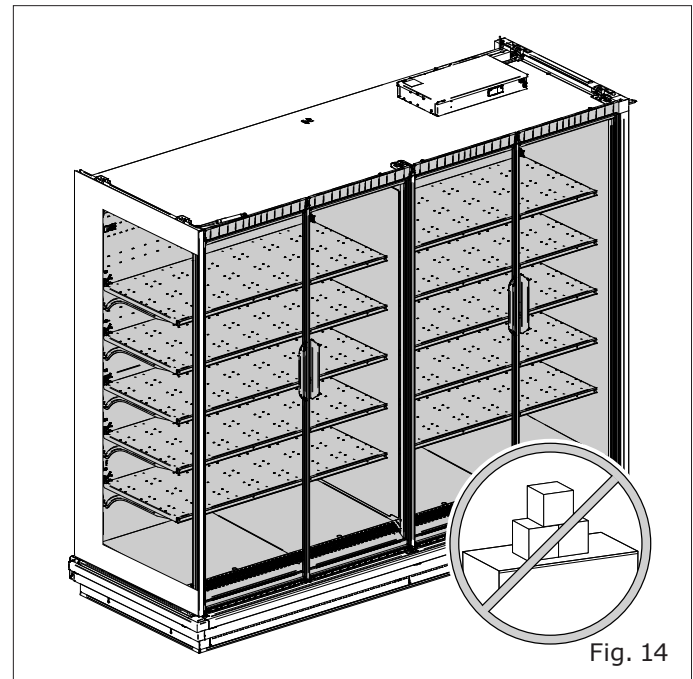
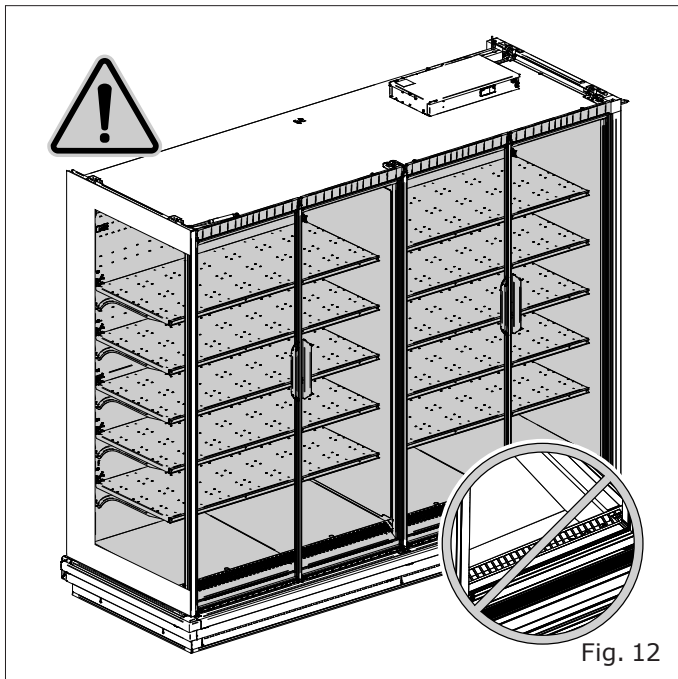
AL1aCbb (Banco refrigerato)

Riferimento/designazione	Descrizione	Informazioni commerciali
AL1	Nome	Zenith VP
a	Profonfità	S (SMALL), M (MEDIUM), L (LARGE)
C	Tipologia	C (Chiuso)
bb	Lunghezza	12, 18, 25, 37, T1, T3, T4, T5

esempio: AL1MC37 - Zenith VP MEDIUM CLOSED 375

Modello - Modèle - Model Modell - Modelo - Modelo	<h1>ZENITH VP - REMOTE CLOSED</h1>	
Fabbricante - Constructeur - Manufacturer Hersteller - Fabricante - Fabricante	Epta Spa - Via Mecenate, 86 - 20138 Milano (MI) ITALIA Tel. 02/55403211 Telefax 02/55401023	17/27

7. USO DEL BANCO



2. Visualizzazione temperatura

Modello - Modèle - Model Modell - Modelo - Modelo	<h1>ZENITH VP - REMOTE CLOSED</h1>	
Fabbricante - Constructeur - Manufacturer Hersteller - Fabricante - Fabricante	Epta Spa - Via Mecenate, 86 - 20138 Milano (MI) ITALIA Tel. 02/55403211 Telefax 02/55401023	18/27

User Manual

- EN
- IT
- FR
- DE
- ES
- PT

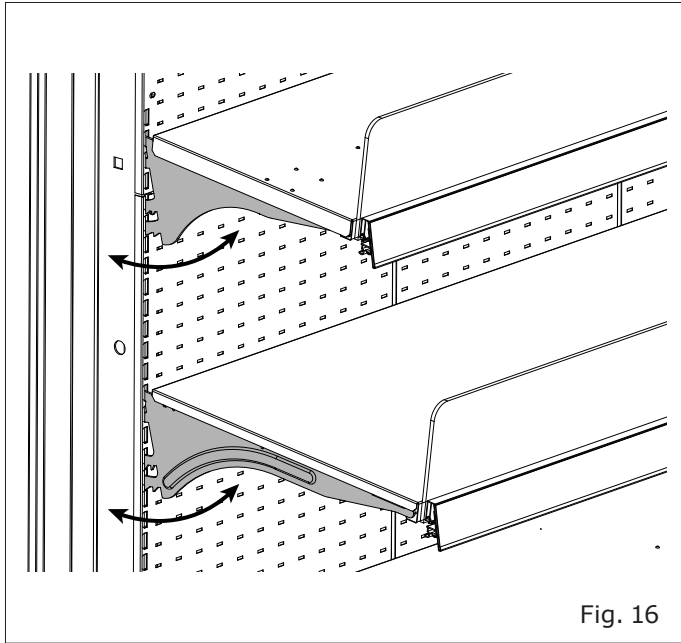


Fig. 16

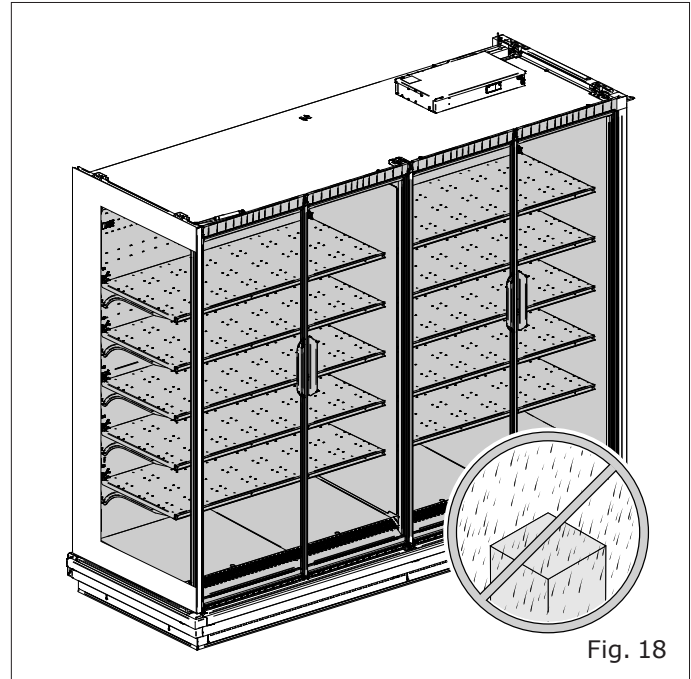


Fig. 18

Inclinazione ripiani: 0° - 7° - 14° - 21°

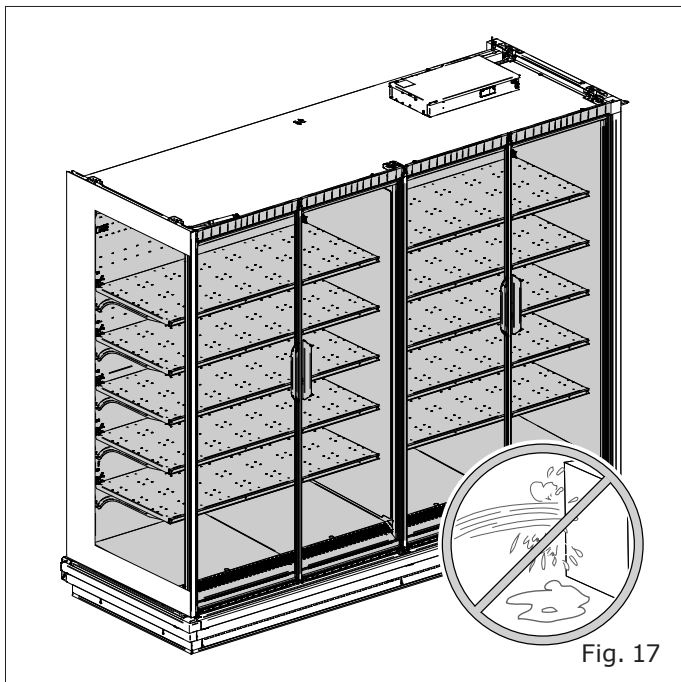


Fig. 17

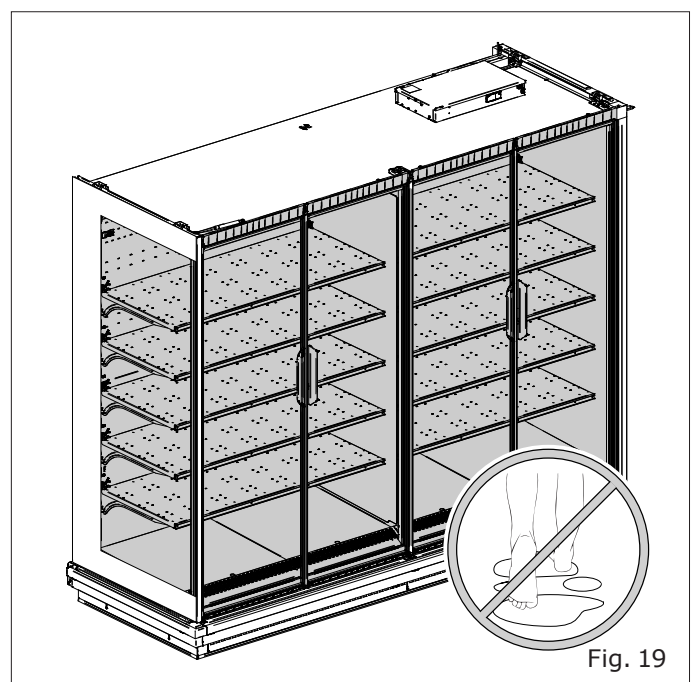

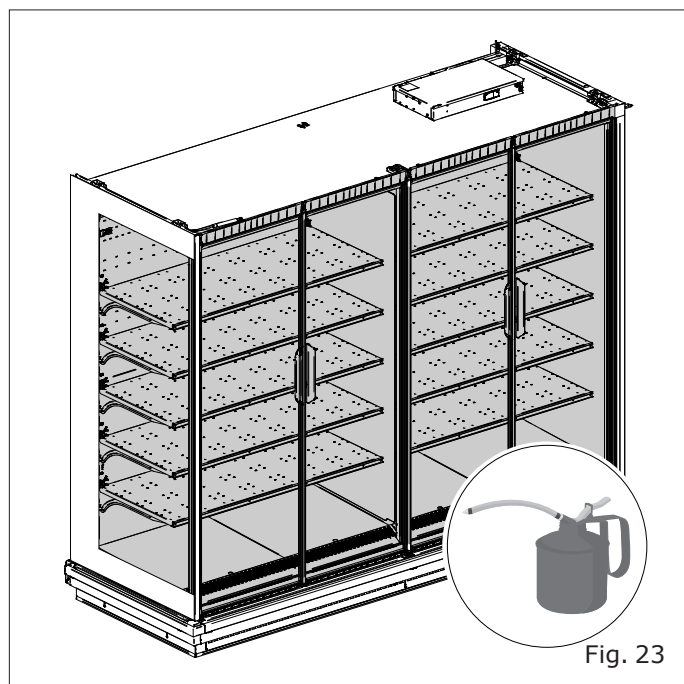
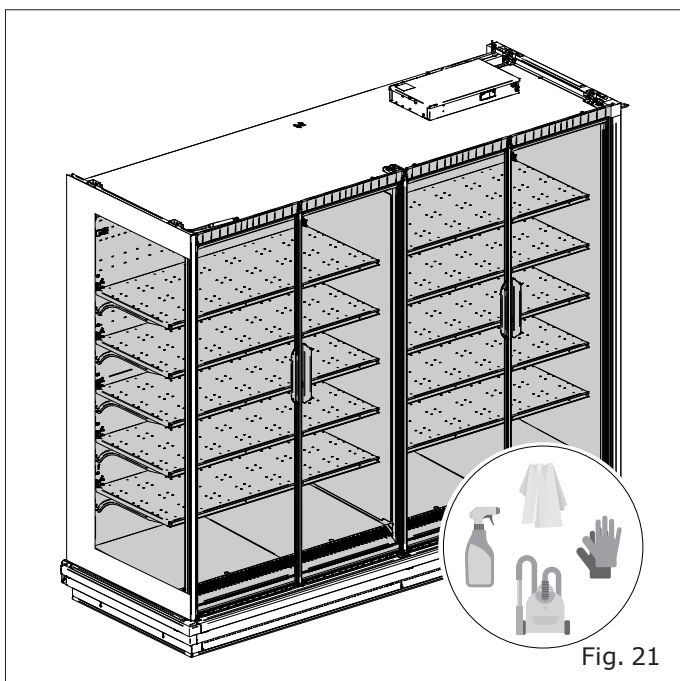
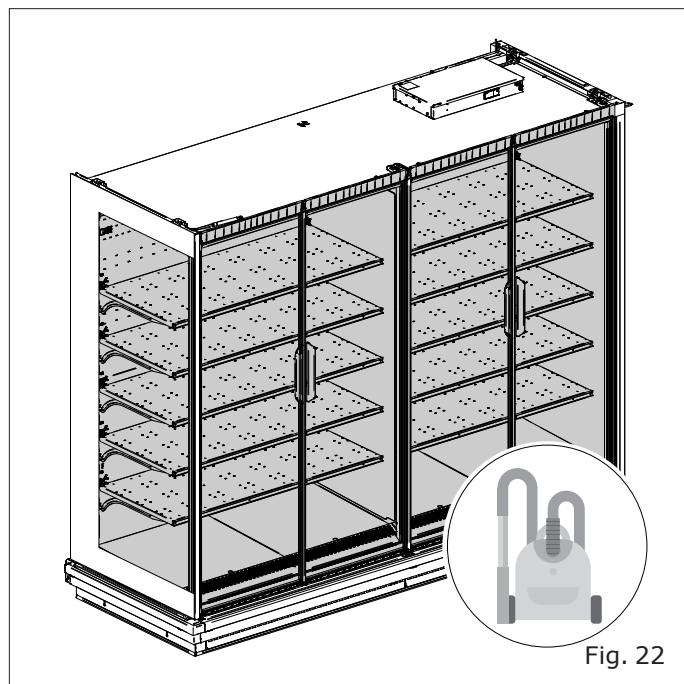
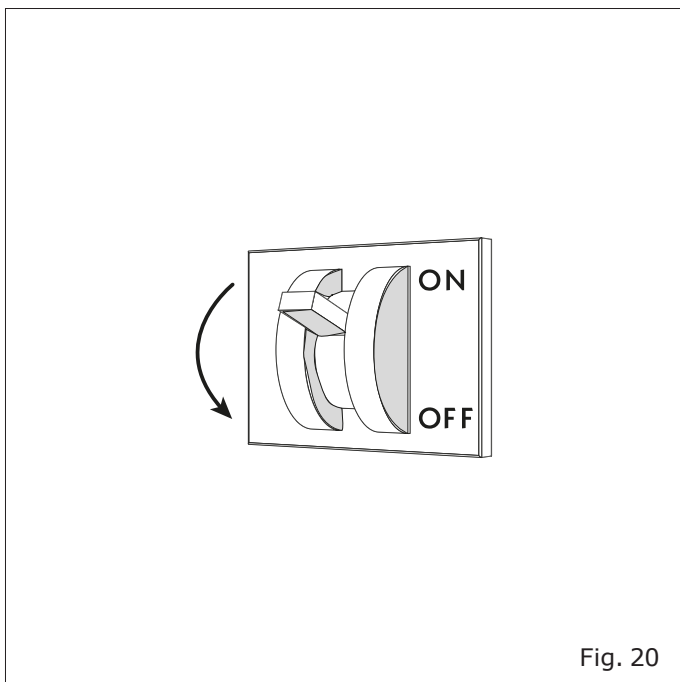


Fig. 19

Modello - Modèle - Model Modell - Modelo - Modelo	<h1>ZENITH VP - REMOTE CLOSED</h1>	
Fabbricante - Constructeur - Manufacturer Hersteller - Fabricante - Fabricante	Epta Spa - Via Mecenate, 86 - 20138 Milano (MI) ITALIA Tel. 02/55403211 Telefax 02/55401023	19/27

8. MANUTENZIONE ORDINARIA

8.1 Pulizia del banco



EN


IT

FR

DE

ES

PT

Modello - Modèle - Model Modell - Modelo - Modelo	ZENITH VP - REMOTE CLOSED	
Fabbricante - Constructeur - Manufacturer Hersteller - Fabricante - Fabricante	Epta Spa - Via Mecenate, 86 - 20138 Milano (MI) ITALIA Tel. 02/55403211 Telefax 02/55401023	20/27


9. DEFINIZIONE CONFIGURAZIONI RIPIANI

H20

Livello	SMALL	MEDIUM	LARGE
Minimo 1 livello			
2 livelli	Tutti i livelli a 360 mm oppure Tutti i livelli a 410 mm oppure Tutti i livelli a 460 mm oppure Combinazione in ordine dall'alto verso il basso: 360 - 410 - 460 mm	Tutti i livelli a 410 mm oppure Tutti i livelli a 460 mm oppure Tutti i livelli a 510 mm oppure Tutti i livelli a 560 mm oppure Combinazione in ordine dall'alto verso il basso: 410 - 460 - 510 - 560 - 560 mm	Tutti i livelli a 510 mm oppure Tutti i livelli a 560 mm oppure Tutti i livelli a 610 mm oppure Combinazione in ordine dall'alto verso il basso: 510 - 560 - 610 mm
3 livelli			
4 livelli			
5 livelli			
6 livelli			
Massimo 7 livelli	7 livelli solo nella versione senza illuminazione o senza specchio interno		

H22

Livello	MEDIUM
Minimo 1 livello	
2 livelli	Tutti i livelli a 410 mm oppure Tutti i livelli a 460 mm oppure Tutti i livelli a 510 mm oppure Tutti i livelli a 560 mm oppure Combinazione in ordine dall'alto verso il basso: 410 - 460 - 510 - 560 - 560 mm
3 livelli	
4 livelli	
5 livelli	
6 livelli	
Massimo 7 livelli	7 livelli solo nella versione senza illuminazione o senza specchio interno

Modello - Modèle - Model Modell - Modelo - Modelo	ZENITH VP - REMOTE CLOSED	
Fabbricante - Constructeur - Manufacturer Hersteller - Fabricante - Fabricante	Epta Spa - Via Mecenate, 86 - 20138 Milano (MI) ITALIA Tel. 02/55403211 Telefax 02/55401023	21/27

10. INDICAZIONI UTENTE

10.1 Descrizione del banco

Questa linea di banchi è adatta alla conservazione ed esposizione di derrate alimentari fresche, confezionate, bibite e latticini.

CLASSE DI TEMPERATURA (secondo EN ISO 23953-2): 4M1 (*), 3M1, 3M0.

(*) Solo nella configurazione ADVANCE+

Le caratteristiche generali e le dimensioni sono illustrate nelle figure e nelle sezioni contenute in "Descrizione generale" (da pag. "10" a pag. "12").

L'impostazione consigliata delle temperature in ogni scomparto per la conservazione ottimale degli alimenti è indicata nella scheda informativa del prodotto che è disponibile in EPREL oppure collegandosi al sito <https://eprel.eptarefrigeration.com> e seguendo le istruzioni riportate per l'accesso al database.

Durante le fasi di trasporto e movimentazione, ricezione e immagazzinamento, installazione, caricamento, uso, pulizia e manutenzione, smantellamento, prestare attenzione al rischio di ribaltamento del banco ("Fig. 24").

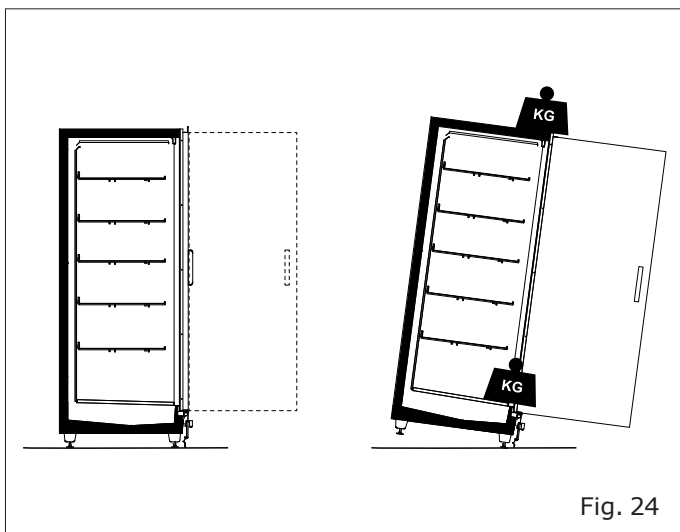


Fig. 24

10.2 Trasporto e movimentazione

Il banco è contenuto in uno specifico imballo provvisto di pedana per la movimentazione con carrelli a forca.

Per il trasporto e la movimentazione del banco utilizzare:

- Esclusivamente una pedana apposita o equivalente
- Un carrello elevatore a mano o elettrico adatto al sollevamento del banco, con caratteristiche idonee nel rispetto delle Norme vigenti

I pesi del banco (vuoto e con imballo) e le dimensioni dell'imballo sono riportati in "Trasporto del banco" (tabella "Tab. I" a pag. "14").

Le operazioni di movimentazione devono essere svolte da personale qualificato, in grado di valutare pesi, punti di sollevamento e mezzi più idonei sia per sicurezza che per portata.

10.3 Ricezione ed immagazzinamento

Controllare le condizioni dell'imballo prima di prendere in consegna il banco dal trasportatore. Se ci sono danni evidenti nell'imballo:

- Rimuovere l'imballo del banco in presenza del trasportatore.
- Firmare con riserva il documento di consegna

Il costruttore non risponde di eventuali danni dovuti al trasporto o ad un errato stoccaggio del banco.

Il banco deve essere conservato in un luogo riparato da sole ed intemperie, con una temperatura compresa tra -25°C e +55°C e un'umidità relativa dell'aria compresa tra 30% e 95%.

Modello - Modèle - Model Modell - Modelo - Modelo	ZENITH VP - REMOTE CLOSED	
Fabbricante - Constructeur - Manufacturer Hersteller - Fabricante - Fabricante	Epta Spa - Via Mecenate, 86 - 20138 Milano (MI) ITALIA Tel. 02/55403211 Telefax 02/55401023	22/27

10.4 Installazione e condizioni ambientali

Il banco non è progettato per un'installazione da esterno.

Per un corretto funzionamento del banco, verificare che sia posizionato:

- Su un pavimento livellato ("Fig. 9").
- Lontano da fonti di calore, dalla radiazione diretta del sole, da porte, finestre, ventilatori e bocche di aerazione ("Fig. 10").

Assicurare lo spazio necessario all'uso del banco da parte della clientela.

Le condizioni dell'ambiente in cui porre il banco sono riportate in: "Condizioni ambientali" (tabella "Tab. II", Pag."15").

10.5 Collegamento elettrico

A monte del banco deve essere installato un interruttore sezionatore omnipolare. Questo deve avere potere di interruzione adeguato.

- Distanza minima dei contatti di 3 mm
- Potere di interruzione adeguato

L'interruttore sezionatore deve essere posto a monte del banco e deve essere visibile dall'operatore durante le fasi di pulizia e manutenzione o provvisto di disinserimento con sistema di bloccaggio in posizione isolata.

Prima di collegare il banco, accertarsi che la tensione di alimentazione corrisponda ai dati di targa del banco. Per garantire un funzionamento regolare, la variazione massima di tensione deve essere compresa tra +/- 6% del valore nominale.

10.6 Caratteristiche tecniche

La targa matricolare riporta i dati tecnici caratteristici del banco. La posizione è indicata in ("Fig. 2") e la tipologia di dati sono riportati in: "Caratteristiche tecniche" ("Fig. 11").

Schemi elettrici, distinte di taratura degli strumenti di controllo, istruzioni di Installazione e copia della Dichiarazione di Conformità sono disponibili sul sito <https://documents.eptarefrigeration.com>.

Il livello di pressione sonora generato dal funzionamento del banco è inferiore a 70 dB(A). Il banco non provoca vibrazioni dannose.

10.7 Caricamento del prodotto

Dare tensione al banco per dare inizio al suo ciclo di raffreddamento, agendo sull'interruttore sezionatore generale a parete. Dopo circa 2 ore è possibile caricare il banco.

Il banco è atto a conservare la temperatura della merce e non ad abbatterla; le derrate, quindi, devono essere introdotte al suo interno solo se già raffreddate alle loro rispettive temperature di conservazione. Prodotti che abbiano subito un riscaldamento non devono mai essere introdotti nel banco.


In presenza di vetri frontali sul banco, si consiglia di effettuare il caricamento della merce quando nello spazio di vendita non è presente la clientela.

Nel caricamento della merce, fare in modo che:

- Il carico sia omogeneo per dimensione e qualità della merce stessa.
- La merce non ostruisca il corretto flusso d'aria refrigerata ("Fig. 12")
- La merce non superi la linea di carico.

Carico massimo ammissibile uniformemente distribuito:

- Sul piano di fondo: 225 kg/m²
- Sui ripiani: 160 kg/m²
- Sul totale dei ripiani: MAX 480 kg/m²

Modello - Modèle - Model Modell - Modelo - Modelo	ZENITH VP - REMOTE CLOSED	 epta refrigeration
Fabbricante - Constructeur - Manufacturer Hersteller - Fabricante - Fabricante	Epta Spa - Via Mecenate, 86 - 20138 Milano (MI) ITALIA Tel. 02/55403211 Telefax 02/55401023	23/27

10.8 Uso del banco



Per un miglior funzionamento del banco, si raccomanda che le porte non rimangano aperte.

Illuminazione

L'illuminazione del banco è controllata da un interruttore integrato nella griglia superiore destra del banco ("Fig. 2").

Display

Sul banco nella parte superiore a destra è posizionato un display per il controllo della temperatura ("Fig. 15").

Il display mostra la temperatura attuale all'interno del vano e permette la regolazione tramite gli appositi pulsanti.

Configurazione e inclinazione dei ripiani espositivi

Per garantire le prestazioni corrette per le quali il banco è stato concepito, la disposizione dei ripiani all'interno del banco deve rispettare delle precise configurazioni (tabella a pag. "20").

Variando la posizione di aggancio dei ripiani con i montanti posteriori del banco, sono consentite 4 diverse inclinazioni ("Fig. 16").

10.9 Pulizia e manutenzione ordinaria

Si consiglia una buona visibilità nella zona di intervento, eventualmente servendosi di una ulteriore fonte di illuminazione.

Pulizia del banco

Utilizzare esclusivamente acqua a temperatura massima di 65°C e sapone o detergente neutro di uso domestico diluito in acqua.

Per le superfici vetrate usare unicamente prodotti per la pulizia dei vetri. Si consiglia di evitare l'uso di acqua in quanto può depositare calcare sulla superficie del vetro.

Non utilizzare assolutamente:

- Spugne abrasive
- Prodotti infiammabili o abrasivi come alcool, acetone o solventi
- Detergenti che contengono tensioattivi non ionici, limone o aceto (acido acetico)




Non lavare o pulire con acqua o liquidi la parte superiore del banco.

Pulire **UNA VOLTA A SETTIMANA** tutte le parti esterne del banco.

Pulire **UNA VOLTA AL MESE** tutte le parti interne del banco, seguendo le istruzioni sotto riportate:

- Togliere la tensione elettrica al banco tramite l'interruttore sezionatore generale a parete ("Fig. 20").
- Svuotare il banco, stoccando la merce in celle o refrigeratori atti a mantenerne la temperatura di conservazione.
- Attendere che l'interno del banco abbia raggiunto la temperatura ambiente e procedere alla pulizia
- Dopo aver controllato attentamente che l'interno del banco sia completamente asciutto, rimettere in funzione l'apparecchio ridando tensione al banco.
- Dopo circa un paio d'ore caricare nuovamente la merce.

Modello - Modèle - Model Modell - Modelo - Modelo	ZENITH VP - REMOTE CLOSED	 epta refrigeration
Fabbricante - Constructeur - Manufacturer Hersteller - Fabricante - Fabricante	Epta Spa - Via Mecenate, 86 - 20138 Milano (MI) ITALIA Tel. 02/55403211 Telefax 02/55401023	24/27

User Manual

EN

Quando si mette fuori servizio il banco, scollegare l'alimentazione e seguire i passaggi precedenti, lasciando gli sportelli aperti (se presenti) per evitare cattivi odori.

IT

FR

Procedere **OGNI TRE MESI** allo sbrinamento del banco per permettere lo scioglimento del ghiaccio che si può essere formato sulle alette dell'evaporatore impedendone il corretto funzionamento. La durata e il numero di sbrinamenti sono regolati direttamente in fabbrica. Eventuali regolazioni sono riservate esclusivamente al servizio tecnico di assistenza. L'acqua di sbrinamento viene raccolta da un apposito scarico. Verificare periodicamente che l'acqua di sbrinamento defluisca normalmente. Se così non fosse intervenire mediante una sonda flessibile non appuntita.

DE

ES

PT

Agire come indicato per la pulizia **MENSILE** delle parti interne, ma in questo caso si dovrà prevedere un tempo di attesa più lungo per permettere il completo scioglimento del ghiaccio.

10.10 Situazioni di emergenza

Il banco non parte o si arresta:


- Verificare che non vi sia una situazione di blackout elettrico.
- Controllare che l'interruttore generale a parete sia acceso.
- Controllare che la spina del banco sia inserita nella presa di corrente.

Se l'interruzione elettrica non dipende da questi motivi, rivolgersi al più vicino centro di assistenza autorizzato e procedere allo svuotamento completo ed allo stoccaggio immediato del prodotto in celle o refrigeratori atti a mantenerne la temperatura di conservazione.

Il banco non raffredda a sufficienza:

- Controllare che il caricamento del banco sia corretto.
- Sbrinare il banco per poi riprendere il funzionamento normale, se questa operazione non viene effettuata da più di tre mesi.
- Controllare che il banco non sia vicino a fonti di calore o correnti d'aria.
- Verificare le condizioni ambientali riportate in "Condizioni ambientali" ("Tab. II", Pag."18").
- Controllare, tramite una livella, la planarità del banco.

Se il mancato raffreddamento persiste, rivolgersi al più vicino centro di assistenza autorizzato.

Modello - Modèle - Model Modell - Modelo - Modelo	ZENITH VP - REMOTE CLOSED	 epta refrigeration
Fabbricante - Constructeur - Manufacturer Hersteller - Fabricante - Fabricante	Epta Spa - Via Mecenate, 86 - 20138 Milano (MI) ITALIA Tel. 02/55403211 Telefax 02/55401023	25/27

Il banco è rumoroso:

- Controllare che viti e bulloni siano perfettamente chiusi.
- Controllare, tramite una livella, la planarità del banco.

Se l'inconveniente persiste, rivolgersi al più vicino centro di assistenza autorizzato.

10.11 Assistenza tecnica

Qualora si rendesse necessario l'intervento del personale tecnico di assistenza, contattare immediatamente il fornitore presso il quale è stato acquistato il banco.

Qualora vi fosse la necessità di usare pezzi di ricambio fare sempre riferimento al servizio tecnico di assistenza: chiedere ed accertarsi che vengano utilizzati ricambi originali.

10.12 Smantellamento ed eliminazione

In conformità alle norme per lo smantellamento dei rifiuti vigenti nei singoli Paesi e per il rispetto dell'ambiente in cui viviamo, vi preghiamo di dividere le parti del banco in modo da poterle smaltire separatamente o eventualmente recuperarle opportunamente.

Tutte le parti componenti il banco non sono assimilabili ai rifiuti solidi urbani fatta eccezione per le parti metalliche che comunque non figurano tra i rifiuti speciali per la maggior parte dei Paesi Europei.



Il sistema di refrigerazione è ad alta pressione. Contattare personale esperto prima della rottamazione.

I componenti del circuito di refrigerazione non devono essere tagliati e/o separati prima che venga scaricato il circuito, con recupero del gas refrigerante da parte di personale qualificato.

EN

IT

FR

DE

ES

PT

Modello - Modèle - Model Modell - Modelo - Modelo	ZENITH VP - REMOTE CLOSED	 eptarefrigeration
Fabbricante - Constructeur - Manufacturer Hersteller - Fabricante - Fabricante	Epta Spa - Via Mecenate, 86 - 20138 Milano (MI) ITALIA Tel. 02/55403211 Telefax 02/55401023	26/27

11. AVVERTENZE GENERALI INTEGRATIVE

Istruzioni per la corretta installazione e manutenzione

Le istruzioni di uso e manutenzione si trovano nel Manuale Utente disponibile nel sito: www.eptarefrigeration.com.

Le istruzioni di installazione dedicate al personale esperto sono disponibili:

- Presso la rete di assistenza
- In alcune categorie di prodotto in forma cartacea consegnato insieme al prodotto

Informazioni di prodotto

Le informazioni di prodotto (EPREL) sono disponibili collegandosi al sito <https://eprel.eptarefrigeration.com> e seguendo le istruzioni riportate per l'accesso al database.

Garanzia

Il prodotto è coperto da garanzia, nei termini di legge, per un periodo di 12 mesi, salvo diversi accordi sottoscritti esplicitamente dalle parti.

Servizi professionali di riparazione

I servizi sono erogati dalla nostra rete di assistenza consultabile nell'area contatti all'indirizzo web www.eptarefrigeration.com.

Parti di ricambio

Le parti di ricambio e le informazioni per la riparazione dell'apparecchio sono disponibili per almeno 8 anni dopo che il prodotto viene dichiarato fuori produzione al seguente indirizzo web: www.epta-service.com/service.

Le credenziali di accesso sono fornite su richiesta da inviare via mail a: servicesupport@eptarefrigeration.com.

Informazione importante sugli sprechi alimentari

Si raccomanda di seguire attentamente le istruzioni di conservazione riportate nelle confezioni dei prodotti e le indicazioni fornite dai produttori di alimenti.

Pertanto, le impostazioni di temperatura devono essere adeguate alle caratteristiche di conservazione dei prodotti alimentari coerentemente con le indicazioni riportate nella nostra documentazione tecnica.

Utilizzi non corretti possono causare un deperimento.

Condizioni ambientali

Il presente apparecchio è destinato a funzionare in ambienti in cui la temperatura e l'umidità rientrano nei limiti previsti nel Manuale di uso e manutenzione.

Istruzioni per il disassemblaggio

Per il disassemblaggio occorre rivolgersi ad operatori professionali.

Il gruppo Epta, da sempre animato da una particolare attenzione per l'ambiente, mette a disposizione degli utenti i manuali di smantellamento e trattamento dei rifiuti, scaricabili di seguito.

- Accedere al sito www.bonnetneve.com



- Accedere alla sezione **area tecnica** del banco.

Modello - Modèle - Model Modell - Modelo - Modelo	ZENITH VP - REMOTE CLOSED	
Fabbricante - Constructeur - Manufacturer Hersteller - Fabricante - Fabricante	Epta Spa - Via Mecenate, 86 - 20138 Milano (MI) ITALIA Tel. 02/55403211 Telefax 02/55401023	27/27

Altre informazioni

Per ulteriori e più dettagliate informazioni si prega di fare riferimento a www.eptarefrigeration.com ed a EPREL a cui si accede attraverso il QR code qui o nell'etichetta energetica del prodotto.



Limiti di applicazione



Questo banco è progettato per l'utilizzo, il trasporto e l'immagazzinamento fino ad un'altitudine massima di 2000 m sul livello del mare.

Immagazzinamento:

- Temperatura compresa tra 15°C e 50°C
- Umidità relativa compresa tra 20% e 90%
- Tempo massimo 6 mesi

Trasporto:

- Temperatura compresa tra 20°C e 70°C
- Umidità relativa compresa tra 20% e 90%
- Tempo massimo 2 mesi

Utilizzo:

La classe climatica di utilizzo è riportata sulla targa matricolare.

Di seguito è riportato un estratto della Norma di riferimento, che chiarisce il significato dei caratteri alfanumerici:

Classe climatica	Temperatura bulbo secco	Umidità relativa
[-]	[°C]	[%]
0	20	50
1	16	80
8	24	55
2	22	65
3	25	60
4	30	55
6	27	70
5	40	40
7	35	75

ESEMPIO Classe climatica 3 significa 25°C / 60%R.H.

Prestazioni



Le condizioni ambientali esterne necessarie per un corretto funzionamento del banco sono specificate sulla targa matricolare.

Le prestazioni del banco non sono garantite al di fuori del suo normale utilizzo.



La temperatura minima non deve essere minore di 16°C.

Modello - Modèle - Model Modell - Modelo - Modelo	ZENITH VP - REMOTE CLOSED	 epta refrigeration
Fabbricante - Constructeur - Manufacturer Hersteller - Fabricante - Fabricante	Epta Spa - Via Mecenate, 86 - 20138 Milano (MI) ITALIA Tel. 02/55403211 Telefax 02/55401023	4/27

TABLE DES MATIÈRES

EN

IT

FR

DE

ES

PT

1. Introduction	5
2. Avertissements de sécurité	6
2.1 Avertissements généraux	6
2.2 Avertissements pour l'entretien du meuble réfrigéré	8
2.3 Avertissements électriques	8
2.4 Interdictions	9
3. Description générale	10
3.1 Vues en coupe	10
4. Transport du meuble réfrigéré	13
5. Conditions ambiantes	15
6.1 Référence des modèles / désignation	16
6. Caractéristiques techniques	16
7. Utilisation du meuble réfrigéré	17
8. Entretien ordinaire	19
8.1 Nettoyage du meuble réfrigéré	19
9. Définition configuration étagères	20
10. Indications utilisateur	21
10.1 Descriptions du meuble réfrigéré	21
10.2 Transport et déplacement	21
10.3 Réception et stockage	21
10.4 Installation et conditions ambiantes	22
10.5 Connexion électrique	22
10.6 Caractéristiques techniques	22
10.7 Chargement du produit	22
10.8 Utilisation du meuble réfrigéré	23
10.9 Nettoyage et entretien ordinaire	23
10.10 Situations d'urgence	24
10.11 Service après-vente	25
10.12 Démantèlement et élimination	25
11. Avertissements généraux supplémentaires	26

SYMBOLIQUE UTILISÉE



Symbole d'interdiction: interdiction d'effectuer certaines opérations.




Symbole d'attention: normes anti-accident pour l'opérateur.



Symbole d'avertissement: risque d'endommager le meuble réfrigéré et/ou ses composants.



Symbole de remarque: fourniture d'informations utiles.

Modello - Modèle - Model Modell - Modelo - Modelo	ZENITH VP - REMOTE CLOSED	
Fabbricante - Constructeur - Manufacturer Hersteller - Fabricante - Fabricante	Epta Spa - Via Mecenate, 86 - 20138 Milano (MI) ITALIA Tel. 02/55403211 Telefax 02/55401023	5/27

1. INTRODUCTION

Veillez lire attentivement ce manuel et le conserver avec le meuble réfrigéré.

Le constructeur décline toute responsabilité pour tout préjudice causé aux personnes ou aux biens, dû au non-respect des consignes indiquées dans ce manuel.

Le présent manuel d'utilisation s'applique à une famille de produits disponible en différentes configurations et dimensions ; les performances et les spécifications de chaque modèle sont complétées par les informations figurant sur la plaque signalétique, la Déclaration CE de conformité, ainsi que par l'étiquette énergétique et la fiche d'information produit EPREL correspondante.

Les performances de chaque modèle individuel peuvent varier en fonction de la configuration spécifique. L'étiquette énergétique et la fiche d'information produit sont également disponibles sur <https://eprel.eptarefrigeration.com> en saisissant le numéro de série figurant sur la plaque signalétique.



Ce manuel fournit les informations considérées comme nécessaires pour une utilisation correcte et un bon fonctionnement du meuble réfrigéré.

Il contient les descriptions et les informations suivantes:

- une description fonctionnelle du meuble réfrigéré et de chacune de ses parties
- des informations concernant la sécurité du meuble réfrigéré et les règles anti-accident auxquelles se conformer
- une utilisation correcte du meuble réfrigéré
- un bon entretien ordinaire et programmé, y compris les opérations de nettoyage

Informations non contenues dans ce manuel:

- Instructions d'installation

Pour une installation correcte du meuble réfrigéré, veuillez faire référence aux documents suivants:

- Manuel technique
- Instructions de référence rapides


Ce manuel s'adresse aux professionnels suivants:

- **OPÉRATEUR QUALIFIÉ** personne qualifiée, instruite pour effectuer le fonctionnement, le réglage, le nettoyage et l'entretien ordinaire du meuble réfrigéré
- **TECHNICIEN SPÉCIALISÉ** formé et autorisé par l'organisme indiqué dans le contrat (constructeur/concessionnaire/distributeur) à effectuer: l'installation, l'entretien exceptionnel, la réparation, le remplacement et la révision du meuble réfrigéré

Ces instructions sont aussi disponibles sur : www.eptarefrigeration.com.

En ce qui concerne les réglementations et les certifications du meuble réfrigéré, veuillez faire référence à la déclaration de conformité.

Conservez toujours le livret d'instructions, y compris en cas de vente.

Modello - Modèle - Model Modell - Modelo - Modelo	ZENITH VP - REMOTE CLOSED	 epta refrigeration
Fabbricante - Constructeur - Manufacturer Hersteller - Fabricante - Fabricante	Epta Spa - Via Mecenate, 86 - 20138 Milano (MI) ITALIA Tel. 02/55403211 Telefax 02/55401023	6/27

2. AVERTISSEMENTS DE SÉCURITÉ

2.1 Avertissements généraux



La désignation de l'appareil est indiquée à la page "16".



Avertissement de sécurité pour les systèmes utilisant le R744 (CO₂) en régime transcritique. L'évaporateur de l'armoire, placé en aval de la valve d'expansion, est conçu pour fonctionner en conditions subcritiques.



Le constructeur décline toute responsabilité pour tout préjudice corporel ou matériel dû à un manque d'observation des avertissements contenus dans ce manuel. Toute personne utilisant ce meuble réfrigéré doit impérativement avoir lu le manuel de l'utilisateur.



L'employeur doit instruire ses personnels sur les risques d'accident, les dispositifs prévus pour la sécurité des personnels, les risques d'émissions sonores et les règles générales de prévention des accidents requises par la réglementation en vigueur.



L'utilisation du meuble à des fins non techniques, telles que l'ouverture des portes pour retirer les produits exposés, peut également être effectuée par des enfants âgés de 8 ans ou plus, ou par des personnes ayant des capacités physiques, sensorielles ou mentales réduites, ou manquant d'expérience et de connaissances, à condition qu'elles aient été dûment surveillées ou instruites concernant l'utilisation de l'appareil en toute sécurité et qu'elles aient compris les dangers encourus.

Les enfants doivent être surveillés afin de s'assurer qu'ils ne jouent pas avec l'appareil.

Le nettoyage et l'entretien ne doivent pas être effectués par des enfants sans surveillance.



Tout autre usage non explicitement indiqué dans ce manuel doit être considéré comme dangereux, et le constructeur ne pourra être tenu pour responsable d'éventuels dommages dérivant d'une utilisation impropre, erronée et non raisonnable.



Le meuble réfrigéré doit être utilisé par des personnels munis des équipements de protection individuelle appropriés.



Le port de gants de travail est obligatoire.



Ne pas laisser le meuble réfrigéré exposé aux agents atmosphériques.



Ne pas utiliser des jets d'eau directs ou indirects sur le meuble réfrigéré.




Ne pas toucher le meuble réfrigéré avec les mains ou les pieds mouillés ou humides, ne pas utiliser le meuble réfrigéré les pieds nus.



Le retrait de protections ou de panneaux requérant l'utilisation d'outils doit exclusivement être effectué par des personnels qualifiés.



L'utilisation technique du meuble est réservée aux personnes autorisées et formées; les activités d'utilisation technique comprennent, par exemple, la mise en marche, les réglages, le nettoyage et l'entretien.

Modello - Modèle - Model Modell - Modelo - Modelo	ZENITH VP - REMOTE CLOSED	 epta refrigeration
Fabbricante - Constructeur - Manufacturer Hersteller - Fabricante - Fabricante	Epta Spa - Via Mecenate, 86 - 20138 Milano (MI) ITALIA Tel. 02/55403211 Telefax 02/55401023	7/27



Pour le montage d'accessoires dédiés, en option, veuillez vous adresser au service après-vente agréé le plus proche.



Les informations relatives à la charge maximale admissible pour chaque type d'étagère sont fournies à la page "22"



Chaque intervention doit être réalisée exclusivement par du personnel qualifié.



Toutes les opérations de déplacement, transport, assemblage et démontage, durant la mise hors service, et lors de la mise au rebut, doivent être réalisées exclusivement par du personnel qualifié.



Toute intervention doit exclusivement être effectuée par des personnels qualifiés. Dans tous les cas, avant toute intervention, couper impérativement l'alimentation électrique du meuble.



Instruire toute personne utilisant le meuble sur la position de l'interrupteur-sectionneur.



Le réglage du thermostat est réservé au personnel technique du service après-vente.



Faire attention aux parties chaudes ou en mouvement marquées du symbole approprié.



En cas d'incendie, ne pas utiliser de l'eau pour éteindre les flammes, mais exclusivement des extincteurs à sec.



Ne pas endommager le circuit réfrigérant.



Éviter les flammes ou les étincelles à l'intérieur de l'appareil.



Veillez à ce que les fentes d'aération du caisson de l'appareil soient toujours bien dégagées.



Ne pas utiliser d'appareils électriques à l'intérieur des compartiments de l'appareil destinés à la conservation des aliments frais ou congelés, sauf s'ils sont du type recommandé par le fabricant.



Ne pas conserver de substances explosives ou dangereuses, telles que des récipients sous pression contenant du gaz propulseur inflammable, à l'intérieur de cet appareil.



Ne placez pas de contenants de liquide et ne versez pas de liquide sur le comptoir.



Ne pas poser de poids sur le toit du meuble réfrigéré; il est opportun d'éviter de placer des aliments non emballés directement sur les plateaux, veuillez utiliser des conteneurs pour aliments appropriés.



Cet appareil est conçu pour fonctionner en classe ambiante 3 ou 4 ; la définition de la classe ambiante est fournie à la page "27".

EN


IT

FR

DE


ES


PT


Modello - Modèle - Model Modell - Modelo - Modelo	ZENITH VP - REMOTE CLOSED	 epta refrigeration
Fabbricante - Constructeur - Manufacturer Hersteller - Fabricante - Fabricante	Epta Spa - Via Mecenate, 86 - 20138 Milano (MI) ITALIA Tel. 02/55403211 Telefax 02/55401023	8/27


EN
IT
FR
DE
ES
PT


2.2 Avertissements pour l'entretien du meuble réfrigéré


 Les opérations d'entretien sont exclusivement réservées aux personnels autorisés.

 L'accès aux parties électriques et/ou aux parties nécessitant l'utilisation d'outils est réservé aux techniciens spécialisés.


 Avant toute opération d'entretien ou de nettoyage réservée à l'utilisateur, couper la tension au meuble en intervenant sur l'interrupteur-sectionneur général mural.


 Faire attention aux parties chaudes ou en mouvement marquées du symbole approprié.


 Le port de gants de travail est obligatoire.


 Il est important de respecter le type et la fréquence des inspections et des opérations de maintenance requises pour un fonctionnement sûr, y compris les mesures de maintenance préventive, telles que décrites dans le paragraphe "Nettoyage et entretien ordinaire" sur la page "23".


2.3 Avertissements électriques


 S'assurer que la tension d'alimentation correspond aux caractéristiques de plaque du meuble.


 L'installation électrique doit être effectuée dans les règles de l'art par des techniciens spécialisés.


 Le retrait du couvercle du tableau électrique est réservé aux techniciens spécialisés.


 Conformément aux règles d'installation, le réseau d'alimentation doit comporter un dispositif de déconnexion omnipolaire, assurant la déconnexion complète du secteur dans les conditions de surtension de catégorie III.

 L'installation du meuble réfrigéré doit être effectuée conformément aux instructions du constructeur, par des personnels professionnellement qualifiés et dans le respect des normes sur les installations électriques en vigueur dans chaque pays.


 Toute installation erronée du meuble réfrigéré risque de causer des préjudices aux personnes, aux animaux ou aux biens par rapport auxquels le constructeur décline toute responsabilité.


 Si le cordon d'alimentation est endommagé, il doit être remplacé par du personnel de service autorisé pour éviter un danger. N'essayez pas de réparer le câble.


 Ne pas alimenter le meuble s'il est endommagé. En cas de doute, contactez le service après-vente ou votre revendeur.


Modello - Modèle - Model Modell - Modelo - Modelo	ZENITH VP - REMOTE CLOSED	 epta refrigeration
Fabbricante - Constructeur - Manufacturer Hersteller - Fabricante - Fabricante	Epta Spa - Via Mecenate, 86 - 20138 Milano (MI) ITALIA Tel. 02/55403211 Telefax 02/55401023	9/27


2.4 Interdictions


 Il est interdit d'utiliser des dispositifs autres que ceux fournis par le constructeur dans le meuble réfrigéré, pour accélérer le dégivrage.


 Il est interdit aux personnels non spécialisés de retirer le couvercle du tableau électrique ou d'ouvrir des panneaux nécessitant l'utilisation d'outils.


 Il est interdit d'utiliser le meuble réfrigéré pour conserver et/ou exposer des substances explosives, inflammables ou corrosives, telles par exemple des bombes aérosol contenant un gaz propulseur inflammable.


 Il est interdit d'utiliser le meuble réfrigéré pour conserver et/ou exposer des produits pharmaceutiques.

 En cas de produits NON EMBALLÉS OU CONSERVÉS À BASSE TEMPÉRATURE, il est interdit d'utiliser le meuble réfrigéré pour conserver et/ou exposer des bouteilles et des emballages en verre.

 Il est interdit d'installer le meuble réfrigéré dans un environnement contenant des substances gazeuses explosives.

 Il est interdit de retirer la plaque du matricule du meuble réfrigéré.

 Il est interdit de monter sur le comptoir ou sur le pare-chocs du comptoir.

 Il est interdit de remplacer des composants et/ou de modifier le meuble réfrigéré hors des spécifications prévues par le constructeur, ainsi que de remplacer des pièces de rechange d'origine par d'autres non homologuées par le constructeur, sous peine d'invalider la garantie.

EN

IT

FR

DE

ES

PT

Modello - Modèle - Model Modell - Modelo - Modelo	ZENITH VP - REMOTE CLOSED	 epta refrigeration
Fabbricante - Constructeur - Manufacturer Hersteller - Fabricante - Fabricante	Epta Spa - Via Mecenate, 86 - 20138 Milano (MI) ITALIA Tel. 02/55403211 Telefax 02/55401023	10/27

EN

IT

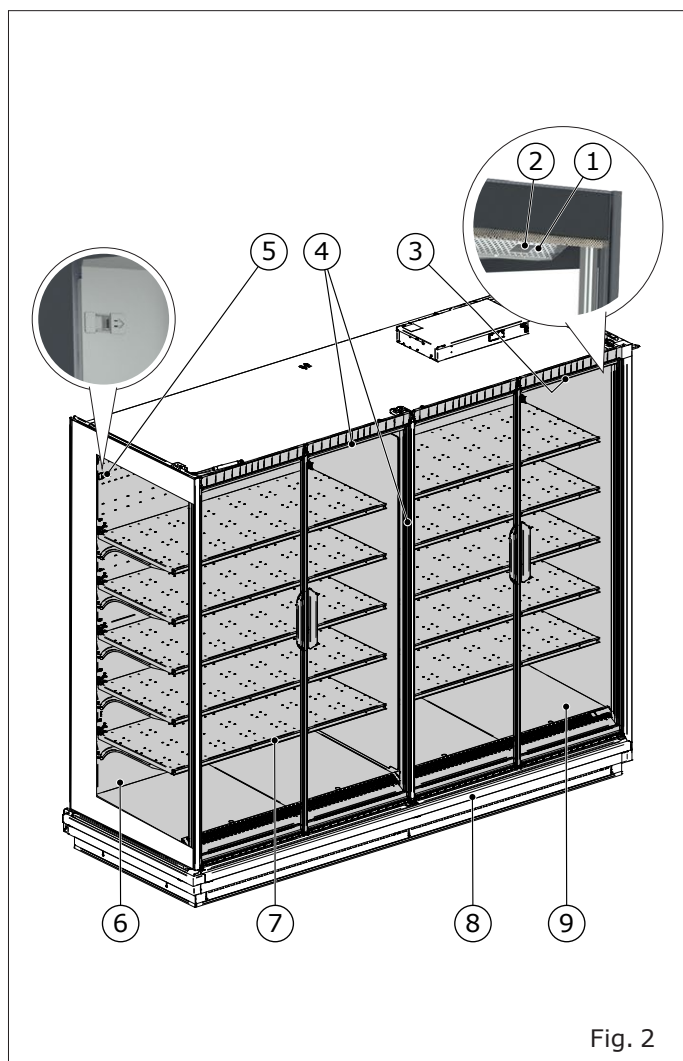
FR

DE

ES

PT

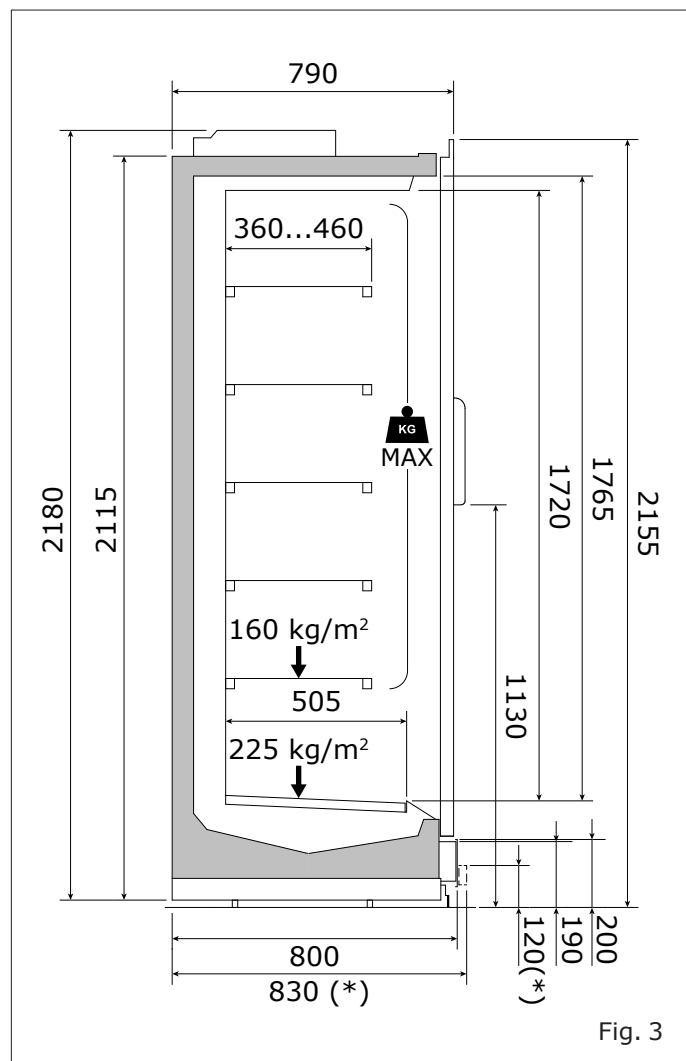
3. DESCRIPTION GÉNÉRALE




1. Interrupteur lumières
2. Display
3. Plaque des caractéristiques
4. Éclairage
5. Verrouillage du panneau arrière
6. Extrémités latérales en verre
7. Etagères
8. Pare-chocs (option)
9. Plateaux de fond

3.1 Vues en coupe

H20 SMALL

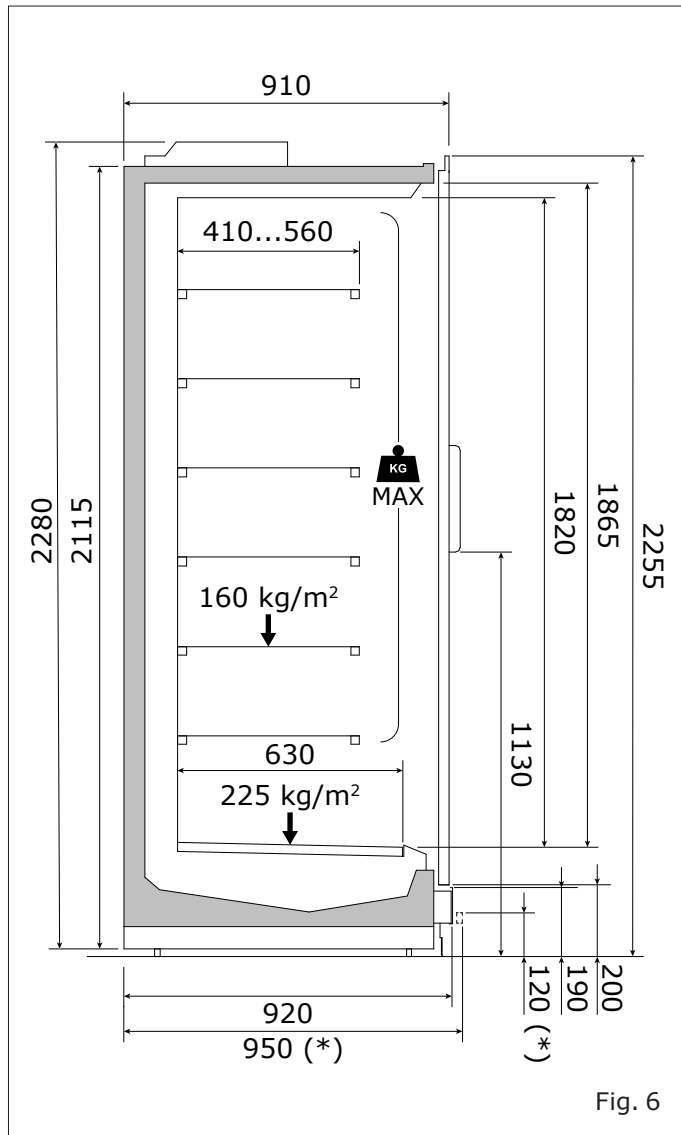


(*) optionnel


Modello - Modèle - Model Modell - Modelo - Modelo	ZENITH VP - REMOTE CLOSED	
Fabbricante - Constructeur - Manufacturer Hersteller - Fabricante - Fabricante	Epta Spa - Via Mecenate, 86 - 20138 Milano (MI) ITALIA Tel. 02/55403211 Telefax 02/55401023	12/27

User Manual

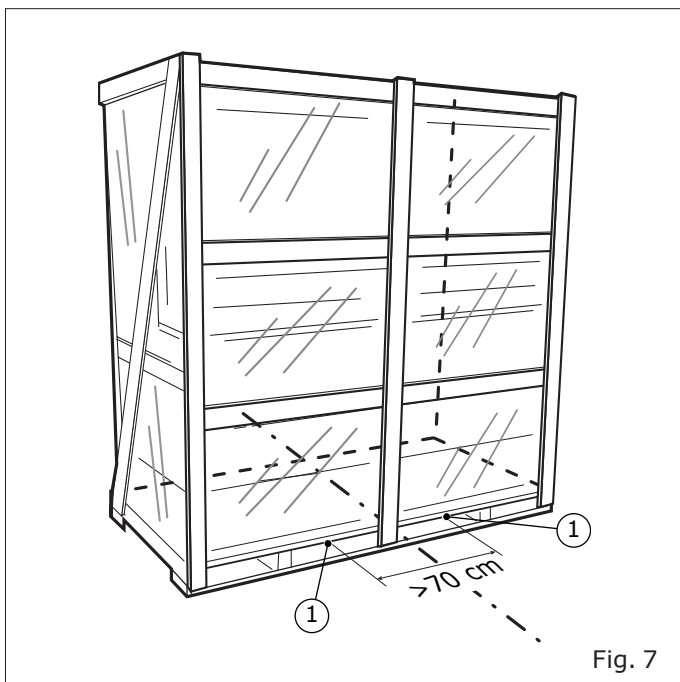
H22 MEDIUM



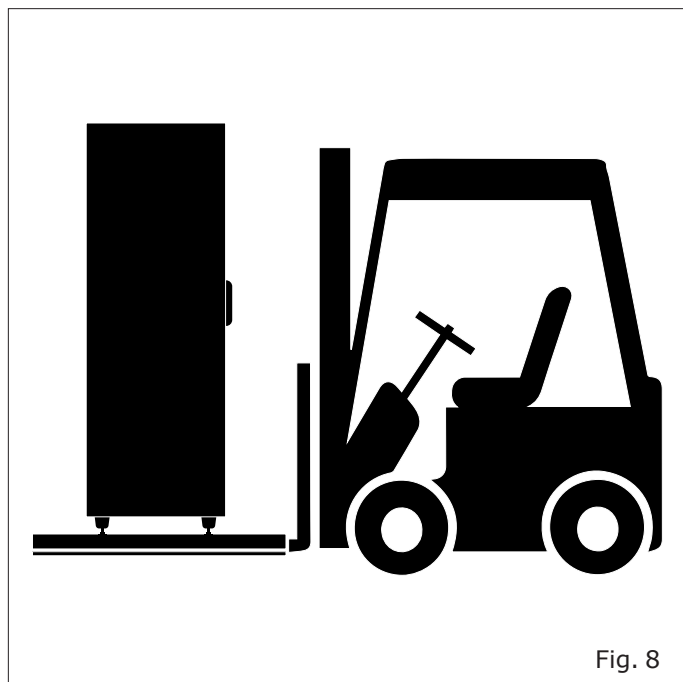
(*) optionnel

Modello - Modèle - Model Modell - Modelo - Modelo	ZENITH VP - REMOTE CLOSED	 eptarefrigeration
Fabbricante - Constructeur - Manufacturer Hersteller - Fabricante - Fabricante	Epta Spa - Via Mecenate, 86 - 20138 Milano (MI) ITALIA Tel. 02/55403211 Telefax 02/55401023	13/27

4. TRANSPORT DU MEUBLE RÉFRIGÉRÉ



1. Points de levage



EN

IT

FR

DE

ES

PT

Modello - Modèle - Model Modell - Modelo - Modelo	ZENITH VP - REMOTE CLOSED	 epta refrigeration
Fabbricante - Constructeur - Manufacturer Hersteller - Fabricante - Fabricante	Epta Spa - Via Mecenate, 86 - 20138 Milano (MI) ITALIA Tel. 02/55403211 Telefax 02/55401023	14/27

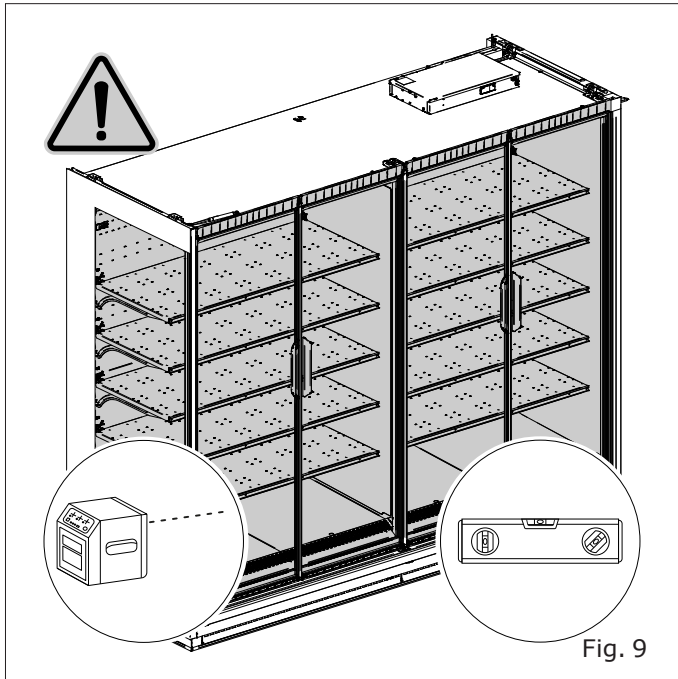
User Manual

Tab. I

Hauteur	Profondeur	Longueur	Poids (kg)	Poids avec emballage (kg)
2100	SMALL	1250	210	230
		1875	275	305
		2500	435	500
		3750	650	810
	MEDIUM	1250	230	250
		1875	300	330
		2500	470	500
		3750	720	760
		EOL 133	225	250
		EOL 184	450	500
		EOL 194	490	550
	LARGE	1250	250	270
		1875	325	355
		2500	505	535
		3750	770	810
		EOL 219	590	660
2200	LARGE	1250	270	290
		1875	355	385
		2500	535	565
		3750	810	850

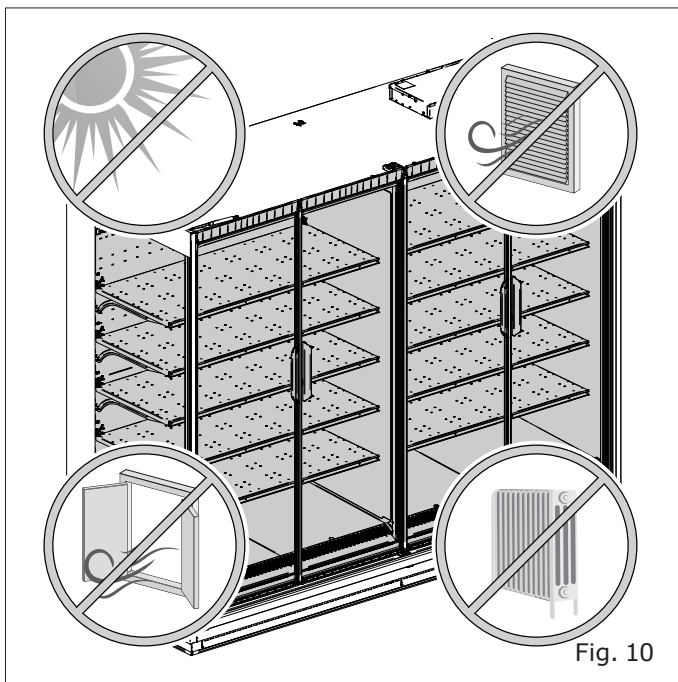
Modello - Modèle - Model Modell - Modelo - Modelo	ZENITH VP - REMOTE CLOSED	 epta refrigeration
Fabbricante - Constructeur - Manufacturer Hersteller - Fabricante - Fabricante	Epta Spa - Via Mecenate, 86 - 20138 Milano (MI) ITALIA Tel. 02/55403211 Telefax 02/55401023	15/27

5. CONDITIONS AMBIANTES



Tab. II

Caractéristiques	
Type de local	Fermé
Température	25°C
Humidité relative	60 %
Éclairage	600 lx



Modello - Modèle - Model Modell - Modelo - Modelo	ZENITH VP - REMOTE CLOSED	 eptarefrigeration
Fabbricante - Constructeur - Manufacturer Hersteller - Fabricante - Fabricante	Epta Spa - Via Mecenate, 86 - 20138 Milano (MI) ITALIA Tel. 02/55403211 Telefax 02/55401023	16/27

6. CARACTÉRISTIQUES TECHNIQUES














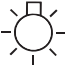












 <small>EPTA S.p.A. Via Mecenate, 86 20138 Milano - Italy</small>			
			
RATED BEMESSUNG ASSIGNÉ NOMINALE NOMINAL			
DEFROSTING ABTAUUNG DÉGIVRAGE SBRINAMENTO DESCONGELAMIENTO			
HEATING SYSTEMS HEIZUNGSSYSTEME SYSTEMES CHAUFFANTS SISTEMI DI RISCALDAMENTO SISTEMA DE CALEFACCIÓN			
			
 <small>Read Operator's Manual available at www.eptarefrigeration.com or calling: +39 0437 968379</small>			
			
			
			

Fig. 11

- | | |
|-------------------------------------|------------------------------|
| 1. Origine du produit | 14. Date de fabrication |
| 2. Produit dans le "Pays d'origine" | 15. Code Hat |
| 3. Tension nominale | 16. Modèle/désignation |
| 4. Puissance nominale | 17. Type de réfrigérant 1 |
| 5. Fréquence nominale | 18. Masse de réfrigérant 1 |
| 6. Courant nominal | 19. Type de réfrigérant 2 |
| 7. Puissance de dégivrage | 20. Masse de réfrigérant 2 |
| 8. Courant de dégivrage | 21. Classe climatique |
| 9. Système de chauffe | 22. Isolation gaz |
| 10. Système d'éclairage | 23. Indice de protection |
| 11. Manuel de l'opérateur | 24. Marques de certification |
| 12. Code-barres | |
| 13. Numéro de série | |


6.1 Référence des modèles / désignation

Le tableau explique comment lire le code modèle, en indiquant les informations commerciales pertinentes pour chaque partie de la référence (voir champ de l'étiquette numéro : "16").

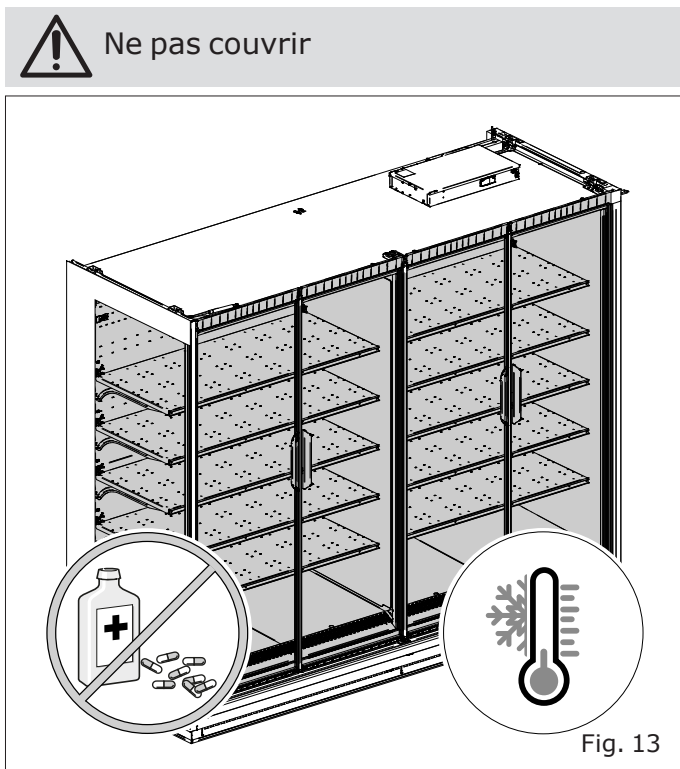
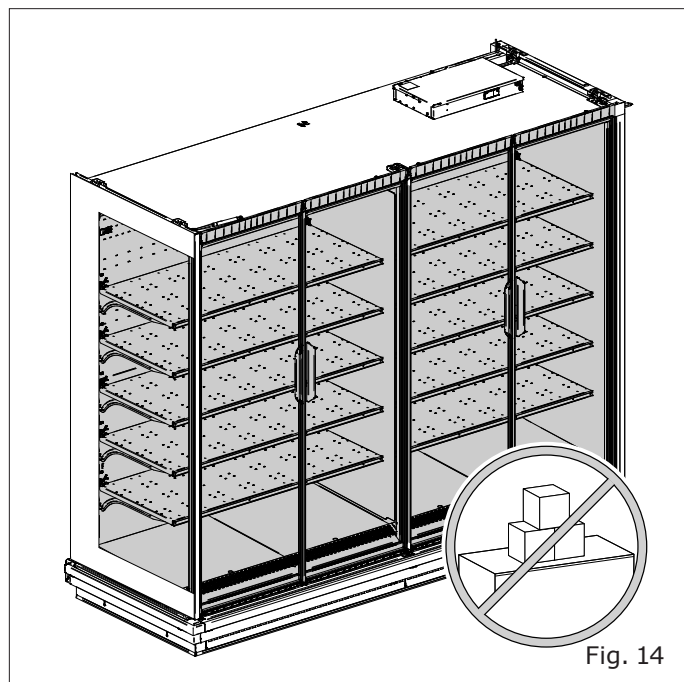
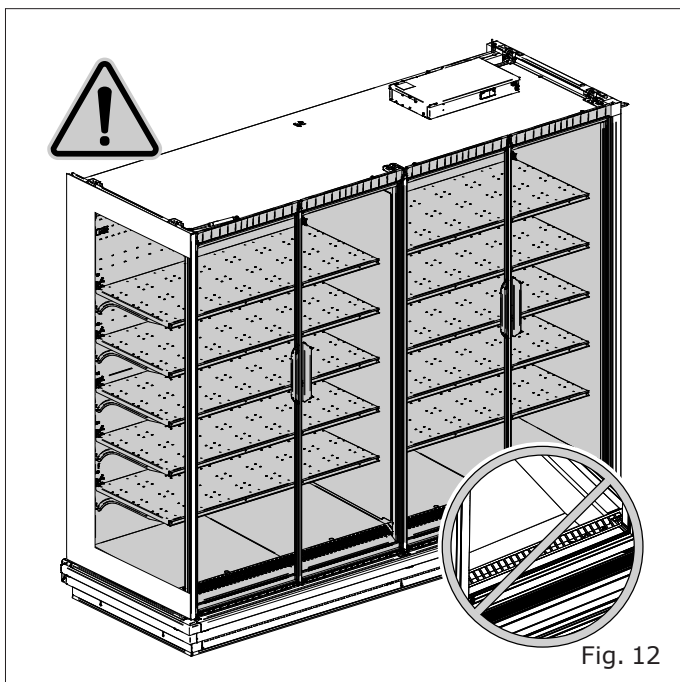
AL1aCbb (Meuble frigorifique)

Référence / désignation	Description	Informations commerciales
AL1	Nom	Zenith VP
a	Profondeur	S (SMALL), M (MEDIUM), L (LARGE)
C	Typologie	C (Fermé)
bb	Longueur	12, 18, 25, 37, T1, T3, T4, T5

exemple: AL1MC37 - Zenith VP MEDIUM CLOSED 375

Modello - Modèle - Model Modell - Modelo - Modelo	<h1>ZENITH VP - REMOTE CLOSED</h1>	
Fabbricante - Constructeur - Manufacturer Hersteller - Fabricante - Fabricante	Epta Spa - Via Mecenate, 86 - 20138 Milano (MI) ITALIA Tel. 02/55403211 Telefax 02/55401023	17/27

7. UTILISATION DU MEUBLE RÉFRIGÉRÉ



2. Affichage température

Modello - Modèle - Model Modell - Modelo - Modelo	<h1>ZENITH VP - REMOTE CLOSED</h1>	
Fabbricante - Constructeur - Manufacturer Hersteller - Fabricante - Fabricante	Epta Spa - Via Mecenate, 86 - 20138 Milano (MI) ITALIA Tel. 02/55403211 Telefax 02/55401023	18/27

User Manual

- EN
- IT
- FR
- DE
- ES
- PT

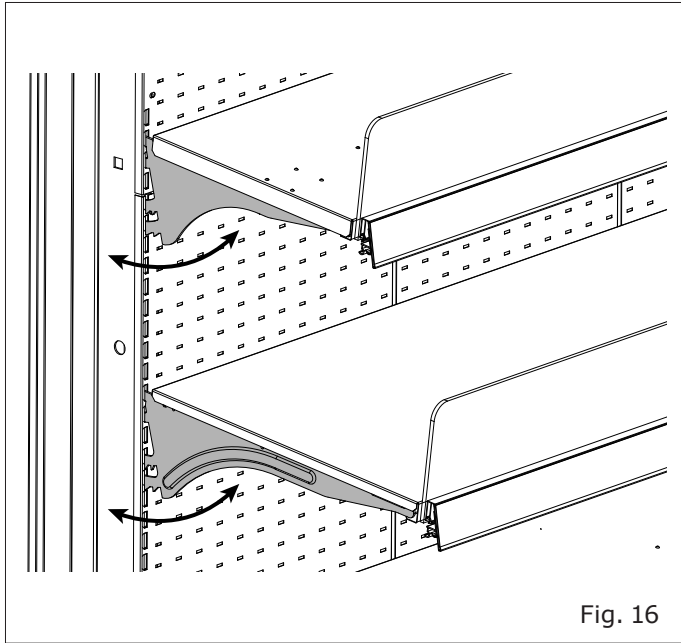


Fig. 16

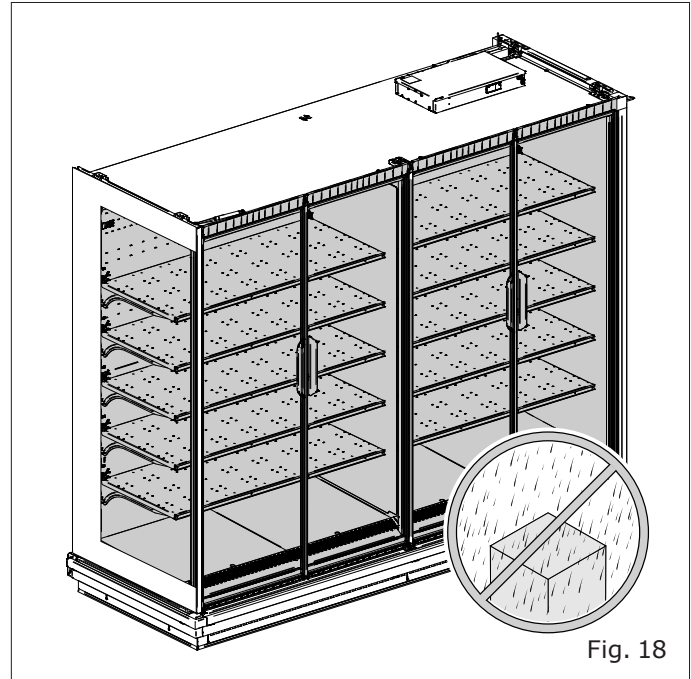


Fig. 18

Inclinaison étagères: 0° - 7° - 14° - 21°

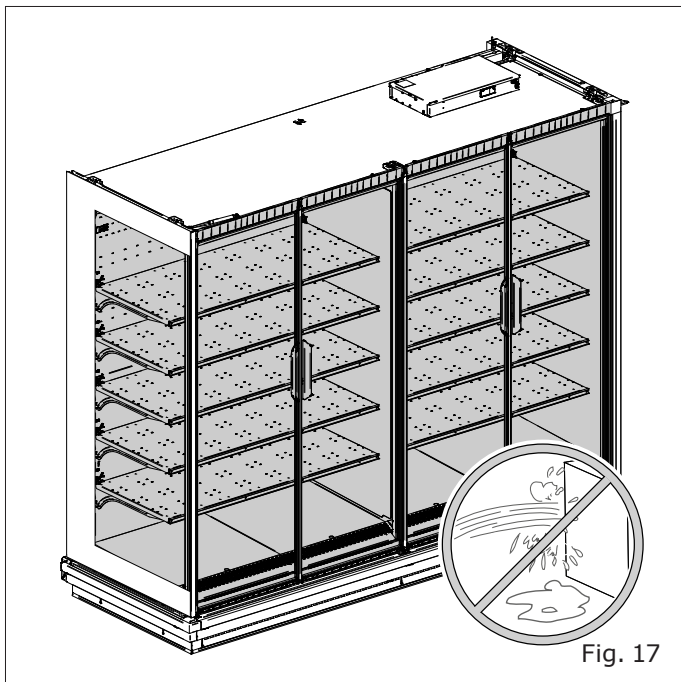


Fig. 17

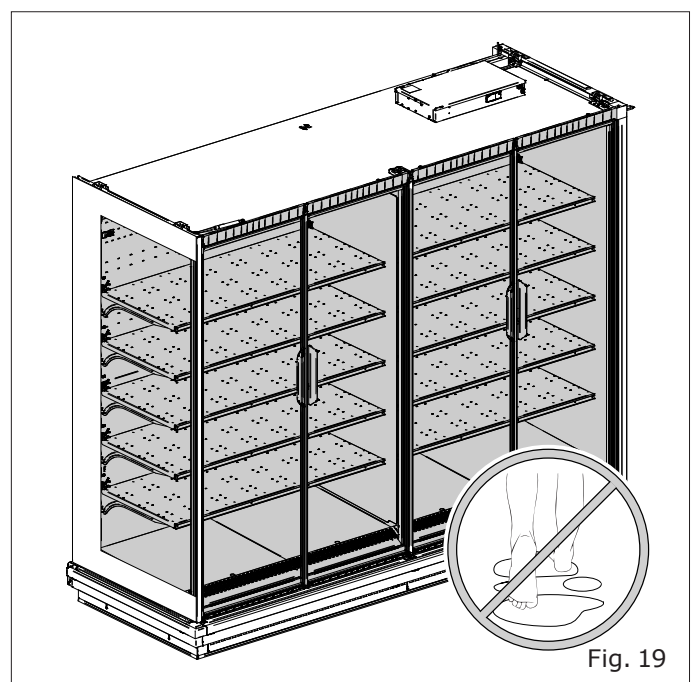

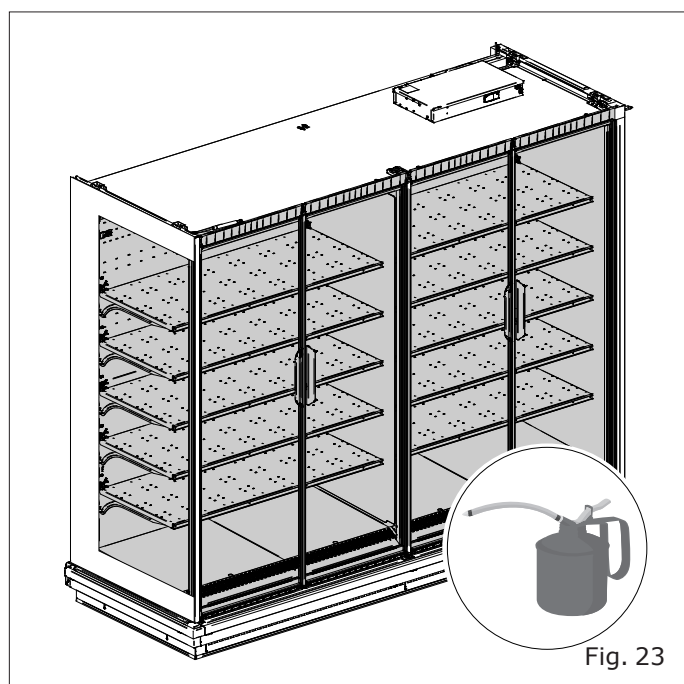
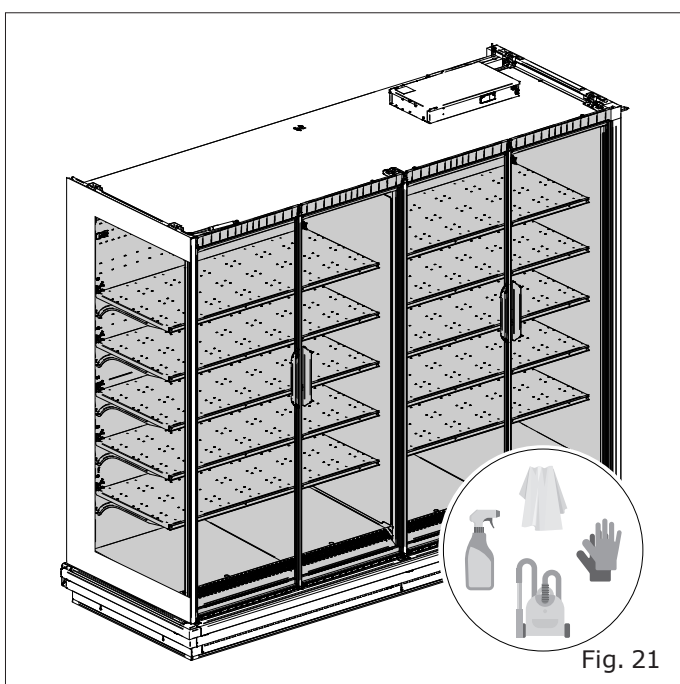
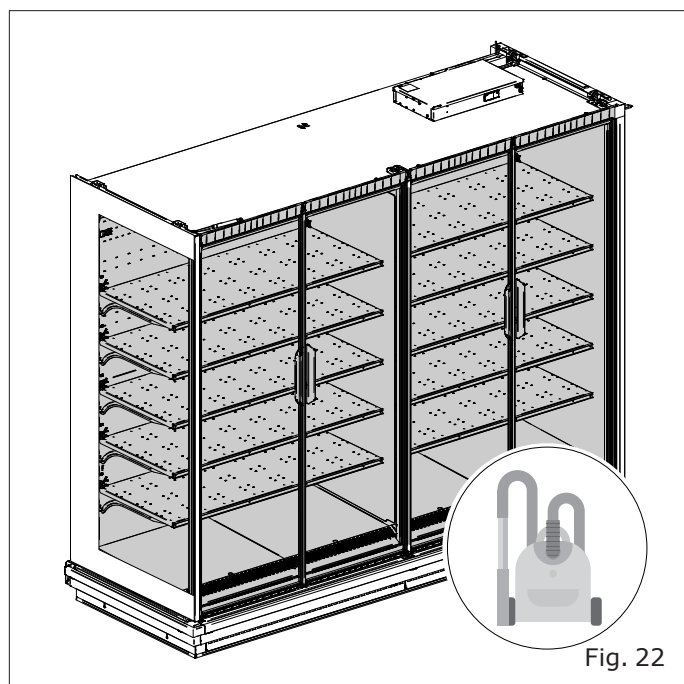
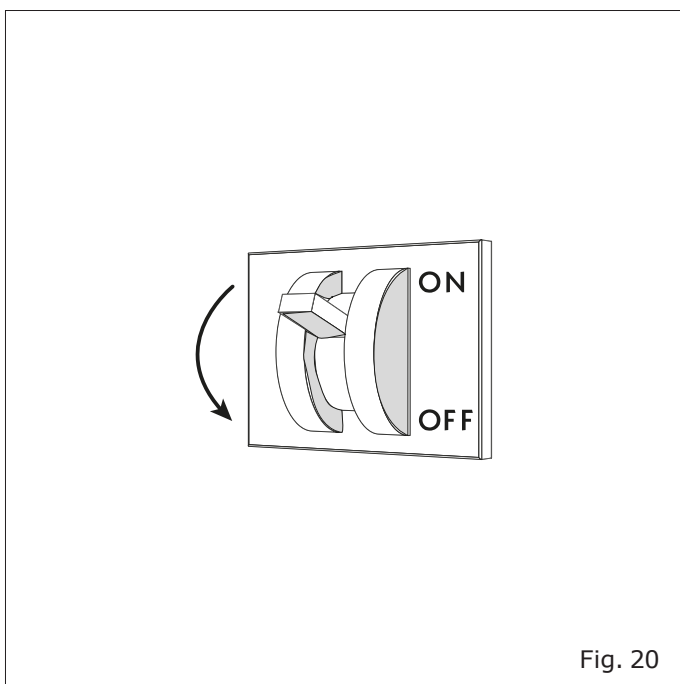


Fig. 19

Modello - Modèle - Model Modell - Modelo - Modelo	<h1>ZENITH VP - REMOTE CLOSED</h1>	
Fabbricante - Constructeur - Manufacturer Hersteller - Fabricante - Fabricante	Epta Spa - Via Mecenate, 86 - 20138 Milano (MI) ITALIA Tel. 02/55403211 Telefax 02/55401023	19/27

8. ENTRETIEN ORDINAIRE

8.1 Nettoyage du meuble réfrigéré



EN


IT

FR

DE

ES

PT

Modello - Modèle - Model Modell - Modelo - Modelo	ZENITH VP - REMOTE CLOSED	 epta refrigeration
Fabbricante - Constructeur - Manufacturer Hersteller - Fabricante - Fabricante	Epta Spa - Via Mecenate, 86 - 20138 Milano (MI) ITALIA Tel. 02/55403211 Telefax 02/55401023	20/27

9. DÉFINITION CONFIGURATION ÉTAGÈRES

H20

Niveau	SMALL	MEDIUM	LARGE
1 niveau minimum	Tous les niveaux en 360 mm	Tous les niveaux à 410 mm	Tous les niveaux en 510 mm
2 niveaux	ou Tous les niveaux en 410 mm	ou Tous les niveaux à 460 mm	ou Tous les niveaux en 560 mm
3 niveaux	ou Tous les niveaux en 460 mm	ou Tous les niveaux à 510 mm	ou Tous les niveaux en 610 mm
4 niveaux	ou Combinaison dans l'ordre de haut en bas : 360 - 410 - 460 mm	ou Tous les niveaux à 560 mm	ou Combinaison dans l'ordre de haut en bas : 510 - 560 - 610 mm
5 niveaux		ou Combinaison dans l'ordre de haut en bas : 410 - 460 - 510 - 560 - 560 mm	
6 niveaux			
7 niveaux maximum	7 niveaux uniquement dans la version sans éclairage ou sans miroir interne		

H22

Niveau	MEDIUM
1 niveau minimum	Tous les niveaux à 410 mm
2 niveaux	ou Tous les niveaux à 460 mm
3 niveaux	ou Tous les niveaux à 510 mm
4 niveaux	ou Tous les niveaux à 560 mm
5 niveaux	ou Combinaison dans l'ordre de haut en bas : 410 - 460 - 510 - 560 - 560 mm
6 niveaux	
7 niveaux maximum	7 niveaux uniquement dans la version sans éclairage ou sans miroir interne

Modello - Modèle - Model Modell - Modelo - Modelo	ZENITH VP - REMOTE CLOSED	
Fabbricante - Constructeur - Manufacturer Hersteller - Fabricante - Fabricante	Epta Spa - Via Mecenate, 86 - 20138 Milano (MI) ITALIA Tel. 02/55403211 Telefax 02/55401023	21/27

10. INDICATIONS UTILISATEUR

10.1 Descriptions du meuble réfrigéré

Le meuble a été conçu et fabriqué exclusivement pour l'exposition de denrées alimentaires fraîches préemballées, boissons et produits laitiers.

CLASSE DE TEMPÉRATURE (suivant EN ISO 23953-2): 4M1 (*), 3M1, 3M0.

(*) Uniquement dans la configuration ADVANCE+

Les caractéristiques générales et les dimensions sont illustrées dans les figures et les vues en coupe indiquées au chapitre "Description générale" (de la page "10" à la page "12").

Les réglages de température recommandés pour chaque compartiment, afin d'assurer une conservation optimale des aliments, sont indiqués dans la fiche d'information produit disponible dans EPREL ou en accédant au site <https://eprel.eptarefrigeration.com> et en suivant les instructions fournies pour l'accès à la base de données.

Durant le transport, le déplacement, la réception, le stockage, l'installation, le chargement, l'utilisation, le nettoyage, l'entretien et le démantèlement, prêter particulièrement attention au risque de basculement du meuble ("Fig. 24").

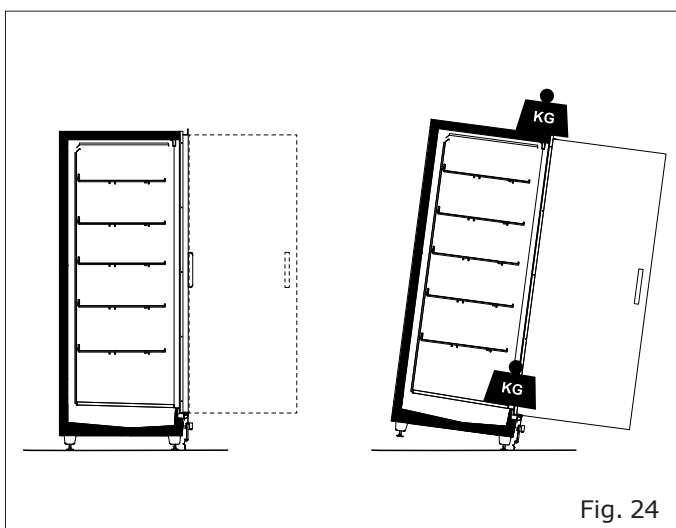


Fig. 24

10.2 Transport et déplacement

Le meuble réfrigéré est contenu dans un emballage spécial muni d'une plateforme pour le déplacement avec des chariots à fourche.

Pour le transport et le déplacement du meuble réfrigéré, utiliser:

- exclusivement une plateforme prévue à cet effet ou équivalente
- Un chariot élévateur manuel ou électrique adapté au soulèvement du meuble, présentant des caractéristiques appropriées dans le respect des normes en vigueur

Le poids du meuble réfrigéré (vide et avec emballage) et les dimensions de l'emballage sont indiqués au chapitre "Transport du meuble réfrigéré" (tableau "Tab. I" à la page "14").

Les opérations de déplacement doivent être effectuées par des personnels qualifiés, en mesure d'évaluer les poids, les points de levage et les moyens les plus adaptés, tant en ce qui concerne la sécurité que la portée.

10.3 Réception et stockage


Vérifier l'état de l'emballage avant de prendre livraison du meuble réfrigéré du transporteur.

En cas de dommages évidents à l'emballage:

- Retirer l'emballage du meuble réfrigéré en présence du transporteur.
- Signer sous réserve le bon de livraison

Le constructeur ne répond pas des dommages éventuellement dus au transport ou à un stockage erroné du meuble réfrigéré.

Conserver le meuble dans un endroit à l'abri du soleil et des intempéries, à une température comprise entre -25°C et +55°C et avec une humidité relative de l'air comprise entre 30% et 95%.

Modello - Modèle - Model Modell - Modelo - Modelo	ZENITH VP - REMOTE CLOSED	 eptarefrigeration
Fabbricante - Constructeur - Manufacturer Hersteller - Fabricante - Fabricante	Epta Spa - Via Mecenate, 86 - 20138 Milano (MI) ITALIA Tel. 02/55403211 Telefax 02/55401023	22/27

10.4 Installation et conditions ambiantes

Ce meuble réfrigéré n'est pas conçu pour être installé à l'extérieur.

Pour que le meuble fonctionne correctement, vérifiez qu'il est mis en place:

- Sur un sol nivelé ("Fig. 9").
- Loin de toute source de chaleur, rayons directs du soleil, portes, fenêtres, ventilateurs et bouches d'aération ("Fig. 10").

Assurer l'espace nécessaire à l'utilisation du meuble réfrigéré par la clientèle.

Les conditions du lieu où installer le meuble sont indiquées dans: "Conditions ambiantes" (tableau "Tab. II", Page"15").

10.5 Connexion électrique

Installer un interrupteur-sectionneur omnipolaire en amont du meuble réfrigéré. L'interrupteur-sectionneur doit avoir pouvoir d'interruption adapté.

- Écart minimum entre les contacts 3 mm
- Pouvoir d'interruption adapté

L'interrupteur-sectionneur doit être situé en amont du meuble et doit être visible par l'opérateur lors des opérations de nettoyage et d'entretien, ou être muni d'un disjoncteur avec système de blocage en position isolée.

Avant de brancher le meuble réfrigéré, s'assurer que la tension d'alimentation correspond aux caractéristiques de la plaque du meuble. Pour garantir un fonctionnement régulier, la variation de tension maximale doit être comprise entre +/- 6% de la valeur nominale.

10.6 Caractéristiques techniques

La plaque matricule contient les caractéristiques techniques du meuble réfrigéré. Sa position est indiquée à la ("Fig. 2") et les caractéristiques sont indiquées dans: "Caractéristiques techniques" ("Fig. 11").

Les schémas électriques, les listes d'étalonnage des instruments de contrôle, les instructions d'installation et une copie de la Déclaration de Conformité sont disponibles sur le site <https://documents.eptarefrigeration.com>.

Le niveau de pression sonore générée par le fonctionnement du meuble est inférieur à 70 dB(A). Le meuble réfrigéré ne produit pas de vibrations nuisibles.

10.7 Chargement du produit

Mettre le meuble sous tension pour démarrer son cycle de refroidissement, en intervenant sur l'interrupteur-sectionneur général mural. Après environ 2 heures vous pouvez charger la marchandise dans le meuble réfrigéré.

Le meuble réfrigéré est en mesure de maintenir la température de la marchandise, mais non de la baisser. Les denrées alimentaires ne doivent donc être placées à l'intérieur du meuble que si elles ont déjà été refroidies à leur température de conservation respective. Ne jamais placer de produits chauds dans le meuble réfrigéré.


En présence d'un meuble avec vitres frontales, il est conseillé d'effectuer son nettoyage lorsque les clients ne se trouvent pas dans l'espace de vente.

Lors du stockage de la marchandise, s'assurer que:

- le chargement est homogène par ses dimensions et la qualité de la marchandise.
- La marchandise ne bouche pas le flux d'air réfrigéré ("Fig. 12")
- La marchandise ne dépasse pas la limite de charge.

Charge maximale admissible uniformément distribuée:

- Sur le plateau de base: 225 kg/m²
- Sur les étagères: 160 kg/m²
- Sur le total des étagères : MAX 480 kg/m²

Modello - Modèle - Model Modell - Modelo - Modelo	ZENITH VP - REMOTE CLOSED	 epta réfrigération
Fabbricante - Constructeur - Manufacturer Hersteller - Fabricante - Fabricante	Epta Spa - Via Mecenate, 86 - 20138 Milano (MI) ITALIA Tel. 02/55403211 Telefax 02/55401023	23/27

10.8 Utilisation du meuble réfrigéré



Pour un bon fonctionnement, nous recommandons de vérifier que les portes ne sont pas ouvertes.

Éclairage

L'éclairage du meuble est commandé par un interrupteur intégré dans la grille supérieure droite du meuble. ("Fig. 2").

Display

Un afficheur de température est positionné dans la partie supérieure droite du meuble pour le contrôle de la température. ("Fig. 15"). L'afficheur de température indique la température actuelle à l'intérieur du compartiment et permet le réglage de la température à l'aide des boutons dédiés.

Configuration et inclinaison des présentoirs

Afin de garantir les performances correctes pour lesquelles le meuble a été conçu, la disposition des étagères dans les meubles doit respecter les configurations décrites (tableau sur la page "20").

Elles peuvent être inclinées en 4 positions en variant la position d'accrochage sur les montants postérieurs du meuble. ("Fig. 16").

10.9 Nettoyage et entretien ordinaire

Il est recommandé d'assurer une bonne visibilité dans la zone d'intervention, éventuellement en utilisant une source d'éclairage supplémentaire.

Nettoyage du meuble réfrigéré

Utiliser exclusivement de l'eau à la température maximum de 65°C et du savon ou un produit détergent ménager neutre dilué dans l'eau. Pour les surfaces vitrées, utilisez uniquement des produits de nettoyage pour vitres. Il est conseillé d'éviter d'utiliser de l'eau, car elle risquerait de déposer du calcaire sur la surface du verre.

Veillez absolument de ne pas utiliser:

- d'éponges abrasives
- de produits inflammables ou abrasifs tels que l'alcool, l'acétone ou les solvants
- des détergents contenant des tensioactifs non ioniques, du citron ou du vinaigre (acide acétique)




Ne pas laver ou nettoyer la partie supérieure du meuble avec de l'eau ou des liquides.

Nettoyer **UNE FOIS PAR SEMAINE** toutes les parties extérieures du meuble.

Nettoyer **UNE FOIS PAR MOIS** toutes les parties intérieures du meuble, en suivant les instructions indiquées ci-dessous:

- Couper la tension électrique au meuble réfrigéré en intervenant sur l'interrupteur-sectionneur général mural ("Fig. 20").
- Vider le meuble réfrigéré en stockant la marchandise en chambre froide ou dans des réfrigérateurs aptes à maintenir leur température de conservation.
- Attendre que l'intérieur du meuble réfrigéré soit à la température ambiante avant de commencer le nettoyage
- Après avoir vérifié attentivement que l'intérieur du meuble est complètement sec, remettre en fonction l'appareil en le mettant sous tension.
- Attendre environ deux heures avant de charger la marchandise.

Modello - Modèle - Model Modell - Modelo - Modelo	ZENITH VP - REMOTE CLOSED	 eptarefrigeration
Fabbricante - Constructeur - Manufacturer Hersteller - Fabricante - Fabricante	Epta Spa - Via Mecenate, 86 - 20138 Milano (MI) ITALIA Tel. 02/55403211 Telefax 02/55401023	24/27

EN Pour mettre le meuble hors service, débrancher l'alimentation et suivre la marche indiquée ci-dessus, en laissant les portes ouvertes (si disponible) pour éviter les odeurs désagréables.

FR **TOUS LES TROIS MOIS** effectuer le dégivrage du meuble afin d'éliminer la glace qui s'est éventuellement formée sur les ailettes de l'évaporateur en empêchant son bon fonctionnement. La durée et le nombre de dégivrages sont directement réglés d'origine. D'autres réglages éventuels sont exclusivement réservés au service après-vente. L'eau de dégivrage est collectée dans une évacuation spéciale. Vérifier périodiquement que l'eau de dégivrage s'écoule normalement. Si cela n'est pas, utilisez une sonde flexible et non pointue. Intervenir de la manière indiquée pour le nettoyage **MENSUEL** des parties intérieures, mais dans ce cas il faudra prévoir un délai d'attente plus long afin que la glace fonde complètement.

10.10 Situations d'urgence

Le meuble réfrigéré ne démarre pas ou s'arrête:

- Vérifier l'absence de blackout électrique.
- Vérifier que l'interrupteur général mural est branché.
- Vérifier que la fiche du meuble réfrigéré est branchée dans la prise secteur.

Si la coupure électrique n'est pas due à ces raisons, contactez le service après-vente agréé le plus proche, retirez complètement tous les produits et stockez-les immédiatement en chambre froide ou dans des réfrigérateurs aptes à maintenir la température de conservation.

Le meuble réfrigéré ne refroidit pas suffisamment:

- S'assurer que le meuble est chargé correctement.
- Dégivrer le meuble et reprendre ensuite son fonctionnement normal, si cette opération n'a pas été effectuée depuis plus de trois mois.
- Vérifier que le meuble réfrigéré n'est pas placé près de sources de chaleur ou de courants d'air.
- Vérifier les conditions ambiantes indiquées au chapitre "Conditions ambiantes" ("Tab. II", Page"18").
- Vérifier que l'installation du meuble réfrigéré est horizontale à l'aide d'un niveau.

Si le meuble ne refroidit toujours pas, contactez le service après-vente agréé le plus proche.

Modello - Modèle - Model Modell - Modelo - Modelo	ZENITH VP - REMOTE CLOSED	 epta refrigeration
Fabbricante - Constructeur - Manufacturer Hersteller - Fabricante - Fabricante	Epta Spa - Via Mecenate, 86 - 20138 Milano (MI) ITALIA Tel. 02/55403211 Telefax 02/55401023	25/27

Le meuble réfrigéré est bruyant:

- Vérifier que les vis et les boulons sont parfaitement serrés.
- Vérifier que l'installation du meuble réfrigéré est horizontale à l'aide d'un niveau.

Si l'inconvénient persiste, contactez le service après-vente agréé le plus proche.

10.11 Service après-vente

En cas de nécessité d'intervention de techniciens, contactez immédiatement le fournisseur chez qui vous avez acheté le meuble réfrigéré.

En cas de nécessité d'utiliser des pièces de rechange, toujours contacter le service après-vente: demandez et assurez-vous que les pièces de rechange fournies sont d'origine.

10.12 Démantèlement et élimination

Conformément aux normes en matière d'élimination des déchets en vigueur dans les différents pays et pour le respect de l'environnement où nous vivons, veuillez trier les parties du meuble réfrigéré de manière à pouvoir les éliminer séparément ou éventuellement, les récupérer.

Toutes les parties qui composent le meuble réfrigéré ne sont pas assimilables à des déchets solides urbains, exception faite des parties métalliques qui ne figurent pas parmi les déchets spéciaux dans la plupart des pays européens.



Le système de réfrigération est à haute pression. Contactez le personnel expérimenté avant toute mise au rebut.

Ne jamais couper ou séparer les composants du circuit de réfrigération avant d'avoir vidangé le circuit et avoir fait récupérer le réfrigérant par des personnels qualifiés.

EN


IT

FR

DE

ES

PT

Modello - Modèle - Model Modell - Modelo - Modelo	ZENITH VP - REMOTE CLOSED	 eptarefrigeration
Fabbricante - Constructeur - Manufacturer Hersteller - Fabricante - Fabricante	Epta Spa - Via Mecenate, 86 - 20138 Milano (MI) ITALIA Tel. 02/55403211 Telefax 02/55401023	26/27

11. AVERTISSEMENTS GÉNÉRAUX SUPPLÉMENTAIRES

Instructions pour une installation et un entretien corrects

Les instructions d'utilisation et d'entretien sont indiquées dans le manuel de l'utilisateur disponible dans notre site web: www.eptarefrigeration.com.

Des instructions d'installation pour le personnel expérimenté sont disponibles:

- Après de notre réseau après-vente
- Dans certaines catégories de produits, sous forme papier, livrées avec le produit

Informations sur le produit

Les informations produit (EPREL) sont disponibles en se connectant au site <https://eprel.eptarefrigeration.com> et en suivant les instructions indiquées pour accéder à la base de données.

Garantie

Conformément à la loi, le produit est couvert par la garantie pendant une période de 12 mois, à moins d'accords différents explicitement signés par les parties.

Services professionnels de réparation.

Les services sont fournis par notre réseau après-vente qui peut être consulté dans l'espace Contacts à l'adresse web www.eptarefrigeration.com.

Pièces de rechange

Les pièces de rechange et les informations pour la réparation de l'appareil sont disponibles pendant au moins 8 ans après la mise hors production du produit à l'adresse web suivante: www.epta-service.com/service.

Les identifiants d'accès sont fournis en adressant une demande par e-mail à: servicesupport@eptarefrigeration.com.

Informations importantes sur le gaspillage alimentaire

Il est recommandé de suivre attentivement les instructions de conservation figurant sur l'emballage des produits, ainsi que les indications fournies par les producteurs de produits alimentaires.

Par conséquent, les paramétrages de la température doivent être adaptés aux caractéristiques de conservation des produits alimentaires, conformément aux indications contenues dans notre documentation technique.

Toute utilisation incorrecte peut entraîner une détérioration.

Conditions ambiantes

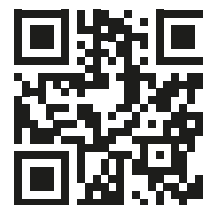
Cet appareil est destiné à fonctionner dans des environnements où la température et l'humidité se situent dans les limites indiquées dans le manuel d'utilisation.

Instructions pour le désassemblage

Pour le désassemblage, veuillez vous adresser à des opérateurs professionnels.

Portant depuis toujours une attention particulière à l'environnement, le Groupe Epta met à la disposition des utilisateurs des manuels de démantèlement et de traitement des déchets, pouvant être téléchargés ci-dessous.

- Accéder au site www.bonnetneve.com



- Accédez à la section **zone technique** de l'armoire.

Modello - Modèle - Model Modell - Modelo - Modelo	ZENITH VP - REMOTE CLOSED	
Fabbricante - Constructeur - Manufacturer Hersteller - Fabricante - Fabricante	Epta Spa - Via Mecenate, 86 - 20138 Milano (MI) ITALIA Tel. 02/55403211 Telefax 02/55401023	27/27

Autres informations

Pour plus d'informations, veuillez faire référence à www.eptarefrigeration.com et à EPREL en scannant le code QR ci-contre ou sur l'étiquette énergie du produit.



Limites d'application



Ce meuble réfrigéré a été conçu pour l'utilisation, le transport et le stockage jusqu'à une altitude maximum de 2000 m au-dessus du niveau de la mer.

Stockage:

- Température comprise entre 15°C et 50°C
- Humidité relative comprise entre 20% et 90%
- Temps maximum 6 mois

Transport:

- Température comprise entre 20°C et 70°C
- Humidité relative comprise entre 20% et 90%
- Temps maximum 2 mois

Utilisation:

La classe climatique d'utilisation est indiquée sur la plaque matricule.

Vous trouverez ci-dessous un extrait de la norme de référence, qui clarifie la signification des caractères alphanumériques:

Classe climatique	Température du bulbe sec	Humidité relative
[-]	[°C]	[%]
0	20	50
1	16	80
8	24	55
2	22	65
3	25	60
4	30	55
6	27	70
5	40	40
7	35	75

EXEMPLE La classe climatique 3 signifie 25°C / 60%R.H.

Performance



Les conditions environnementales extérieures nécessaires au bon fonctionnement du meuble sont indiquées sur la plaque matricule.

Les performances du meuble réfrigéré ne sont pas garanties hors de son utilisation normale.



La température minimale ne doit pas être inférieure à 16°C.

Modello - Modèle - Model Modell - Modelo - Modelo	ZENITH VP - REMOTE CLOSED	 epta refrigeration
Fabbricante - Constructeur - Manufacturer Hersteller - Fabricante - Fabricante	Epta Spa - Via Mecenate, 86 - 20138 Milano (MI) ITALIA Tel. 02/55403211 Telefax 02/55401023	4/27

VERZEICHNIS

EN

IT

FR

DE

ES

PT

1.	Einführung	5
2.	Sicherheitshinweise	6
2.1	Allgemeine Hinweise	6
2.2	Wartungshinweise für das Kühlmöbel	8
2.3	Elektrische Warnhinweise	8
2.4	Verbote	9
3.	Allgemeine Beschreibung	10
3.1	Schnittbilder	10
4.	Transport des Kühlmöbels	13
5.	Umgebungsbedingungen	15
6.1	Modellreferenz / Bezeichnung	16
6.	Technische Eigenschaften	16
7.	Verwendung des Kühlmöbels	17
8.	Wartung des Möbels	19
8.1	Die Reinigung des Kühlmöbels	19
9.	Regalkonfiguration	20
10.	Hinweise für den Nutzer	21
10.1	Beschreibung des Kühlmöbels	21
10.2	Transport und Bewegung des Kühlmöbels	21
10.3	Empfang und Lagerung des Möbels	21
10.4	Installation und Umgebungsbedingungen	22
10.5	Elektrischer Anschluss	22
10.6	Technische Eigenschaften	22
10.7	Die Befüllung des Kühlmöbels	22
10.8	Verwendung des Kühlmöbels	23
10.9	Reinigung und regelmäßige Wartung	23
10.10	Gefahrensituationen	24
10.11	Technischer Wartungsdienst	25
10.12	Demontage und Entsorgung	25
11.	Allgemeine ergänzende Hinweise	26

VERWENDETE SYMBOLE



Symbol für ein Verbot: Verbietet bestimmte Handlungen.




Gefahrensymbol: Regeln zur Unfallvermeidung für den Benutzer.



Symbol für einen Warnhinweis: Möglicherweise kann ein Schaden am Gerät und/oder an einer der Komponenten entstehen.



Symbol für einen Hinweis: Es folgen nützliche Informationen.

Modello - Modèle - Model Modell - Modelo - Modelo	ZENITH VP - REMOTE CLOSED	
Fabbricante - Constructeur - Manufacturer Hersteller - Fabricante - Fabricante	Epta Spa - Via Mecenate, 86 - 20138 Milano (MI) ITALIA Tel. 02/55403211 Telefax 02/55401023	5/27

1. EINFÜHRUNG

Es wird empfohlen, den Inhalt des vorliegenden Handbuchs zu lesen und es gemeinsam mit dem Kühlmöbel aufzubewahren.

Der Hersteller lehnt jede Haftung für Personen- oder Sachschäden ab, die durch Nichtbeachtung der in diesem Handbuch enthaltenen Warnhinweise entstehen.

Dieses Benutzerhandbuch gilt für eine Produktfamilie, die in verschiedenen Konfigurationen und Größen erhältlich ist; die Leistungsdaten und Spezifikationen der einzelnen Modelle werden durch die Angaben auf dem Typenschild, die EG-Konformitätserklärung sowie durch das Energielabel und das zugehörige EPREL-Produktdatenblatt ergänzt.

Die Leistung jedes einzelnen Modells kann je nach spezifischer Konfiguration variieren. Das Energielabel und das Produktdatenblatt sind auch unter <https://eprel.eptarefrigeration.com> verfügbar, indem die auf dem Typenschild angegebene Seriennummer eingegeben wird.



Abb. 1

Das vorliegende Handbuch enthält Informationen, die für die ordnungsgemäße Verwendung und Funktionsweise des Kühlmöbels notwendig sind.

Es enthält die folgenden Erläuterungen und Informationen:

- Eine Funktionsbeschreibung des Kühlmöbels, inklusive all seiner Komponenten
- Informationen über die für dieses Gerät geltenden Sicherheits- und Unfallverhütungsvorschriften
- Hinweise zur korrekten Verwendung des Kühlmöbels
- Hinweise für die korrekte, routinemäßige und planmäßige Wartung, einschließlich der Reinigungsarbeiten

Die folgenden Informationen sind nicht im Handbuch enthalten:

- Installationsanleitungen

Für die korrekte Installation des Kühlmöbels verweisen wir auf die folgenden Dokumente:

- Technical Manual
- Quick Reference Instructions


Das vorliegende Handbuch richtet sich an die folgenden Berufsgruppen:

- **QUALIFIZIERTE MITARBEITER:** Qualifizierte Personen, die mit dem Betrieb, der Einstellung, der Reinigung und der regelmäßigen Wartung des Möbels betraut sind
- **SPEZIALISIERTE TECHNIKER:** Techniker, die von der im Vertrag angegebenen Stelle (Hersteller/Vertragshändler/Lieferfirma) geschult und befugt sind, die folgenden Arbeiten auszuführen: Installation, außerordentliche Wartung, Reparatur, Austausch und Inspektion des Kühlmöbels

Die Bedienungsanleitung ist auch unter verfügbar: www.eptarefrigeration.com.

Die geltenden Vorschriften und Zertifizierungen für dieses Kühlmöbel entnehmen Sie bitte der Konformitätserklärung.

Bewahren Sie die Gebrauchsanweisung und für den Fall des Verkaufs immer auf.

Modello - Modèle - Model Modell - Modelo - Modelo	ZENITH VP - REMOTE CLOSED	 epta refrigeration
Fabbricante - Constructeur - Manufacturer Hersteller - Fabricante - Fabricante	Epta Spa - Via Mecenate, 86 - 20138 Milano (MI) ITALIA Tel. 02/55403211 Telefax 02/55401023	6/27

2. SICHERHEITSHINWEISE

2.1 Allgemeine Hinweise



Die Bezeichnung des Geräts ist auf Seite "16"



Sicherheitswarnung für Systeme, die R744 (CO₂) im transkritischen Betrieb verwenden. Der Verdampfer des Möbels, der hinter dem Expansionsventil angeordnet ist, ist für den Betrieb unter subkritischen Bedingungen ausgelegt.



Der Hersteller lehnt jede Haftung für Personen- oder Sachschäden ab, die durch Nichtbeachtung der in diesem Handbuch enthaltenen Warnhinweise entstehen. Jede Person, die dieses Kühlmöbel verwendet, ist dazu aufgefordert, das vorliegende Benutzerhandbuch zu lesen.



Der Arbeitgeber muss das Personal über die folgenden geltenden Vorschriften informieren: Über die Unfallgefahren, über die bestehenden Sicherheitsvorrichtungen für das Personal, über die Gefahren von Lärmmissionen und die allgemeinen Unfallverhütungsvorschriften.



Die Nutzung des Kühlmöbels für nicht-technische Zwecke, wie z. B. das Öffnen der Türen zur Entnahme der ausgestellten Produkte, kann auch durch Kinder ab 8 Jahren oder durch Personen mit eingeschränkten körperlichen, sensorischen oder geistigen Fähigkeiten oder mangelnder Erfahrung und Kenntnis erfolgen, sofern sie beaufsichtigt wurden oder eine Einweisung in die sichere Verwendung des Geräts erhalten haben und die damit verbundenen Gefahren verstehen.

Kinder müssen beaufsichtigt werden, damit sie nicht mit dem Gerät spielen. Reinigung und Wartung dürfen nicht von Kindern ohne Aufsicht durchgeführt werden.



Jede andere nicht ausdrücklich in diesem Handbuch angegebene Verwendungen gelten als gefährlich. Soit kann der Hersteller nicht für Schäden haftbar gemacht werden, die durch falschen Anschluss, fehlerhafte oder nicht bestimmungsgemäße Verwendung verursacht wurden.



Das Kühlmöbel darf nur von Personen benutzt werden, die mit der entsprechenden, passenden Schutzkleidung ausgestattet sind.



Das Tragen von Handschuhen ist Vorschrift.



Das Kühlmöbel darf keinen Witterungseinflüssen ausgesetzt werden.



Das Kühlmöbel darf keinem direkten oder indirekten Wasserstrahl ausgesetzt werden.



Berühren Sie das Kühlmöbel nicht mit nassen oder feuchten Händen oder Füßen. Benutzen Sie das Gerät niemals barfuß.



Das Entfernen von Schutzvorrichtungen oder von Teilen der Verkleidung, für das der Einsatz von Werkzeug erforderlich ist, ist ausschließlich qualifiziertem Personal vorbehalten.



Der technische Gebrauch der Kühltheke ist befugtem und geschultem Personal vorbehalten; Tätigkeiten zum technischen Gebrauch umfassen z. B. das Einschalten, Einstellen, Reinigen und Warten.

Modello - Modèle - Model Modell - Modelo - Modelo	ZENITH VP - REMOTE CLOSED	 epta refrigeration
Fabbricante - Constructeur - Manufacturer Hersteller - Fabricante - Fabricante	Epta Spa - Via Mecenate, 86 - 20138 Milano (MI) ITALIA Tel. 02/55403211 Telefax 02/55401023	7/27



Wenden Sie sich bitte an das nächstgelegene autorisierte Servicezentrum, um spezielle Zusatzausstattungen montieren zu lassen.



Die Informationen zur maximalen Belastung der einzelnen Regaltypen finden Sie auf Seite "22".



Jeder Eingriff darf ausschließlich von qualifiziertem Personal durchgeführt werden.



Alle Vorgänge der Handhabung, des Transports, der Montage und der Demontage während der Außerbetriebnahme sowie bei der Entsorgung dürfen ausschließlich von qualifiziertem Personal durchgeführt werden.



Sämtliche Arbeiten sind ausschließlich durch qualifiziertes Personal durchzuführen. Das Gerät muss vor jedem Eingriff von der Stromzufuhr getrennt werden.



Weisen Sie jeden, der das Kühlmöbel benutzt, auf die Position des Trennschalters hin.



Eingriffe am Thermostat sind ausschließlich dem autorisierten technischen Kundendienst vorbehalten.



Achten Sie auf warme oder bewegliche Geräteteile. Diese sind mit einem entsprechenden Symbol gekennzeichnet.



Verwenden Sie im Falle eines Brandes ausschließlich Trockenlöschgeräte, verwenden Sie kein Wasser zum Löschen der Flammen.



Beschädigen Sie nicht den Kühlkreislauf.



Vermeiden Sie Flammen oder Funken im Inneren des Geräts.



Die Lüftungsöffnungen am Gehäuse des Geräts müssen stets frei bleiben.



Verwenden Sie keine elektrischen Geräte in den Fächern des Geräts zur Aufbewahrung von frischen oder gefrorenen Lebensmitteln, es sei denn, sie sind vom Hersteller empfohlen.



Lagern Sie in diesem Gerät keine explosiven oder gefährlichen Stoffe, wie z.B. unter Druck stehende Behälter mit entflammbarem Treibmittel.



Stellen Sie keine Flüssigkeitsbehälter auf und gießen Sie keine Flüssigkeiten auf die Theke.



Es dürfen keine Lasten auf das Kühlregal oben positioniert werden; unverpackte Lebensmittel sollten nicht direkt ins Regal gelegt werden. Diese sollten in dafür geeignete Behälter gelegt werden.



Dieses Gerät ist für den Betrieb in der Umgebungsklasse 3 oder 4 ausgelegt; die Definition der Umgebungsklasse ist angegeben auf Seite "27".

EN


IT

FR

DE

ES

PT

Modello - Modèle - Model Modell - Modelo - Modelo	ZENITH VP - REMOTE CLOSED	 epta refrigeration
Fabbricante - Constructeur - Manufacturer Hersteller - Fabricante - Fabricante	Epta Spa - Via Mecenate, 86 - 20138 Milano (MI) ITALIA Tel. 02/55403211 Telefax 02/55401023	8/27

EN

2.2 **Wartungshinweise für das Kühlmöbel**



Wartungsarbeiten dürfen ausschließlich von befugtem Personal durchgeführt werden.



Der Zugriff auf die elektrischen Komponenten und/oder auf Teile, die den Einsatz von Werkzeug erfordern, ist qualifizierten Technikern vorbehalten.



Vor der Durchführung von Wartungs- oder Reinigungsarbeiten muss die Stromzufuhr zum Kühlmöbel über Hauptschalter unterbrochen werden.



Achten Sie auf warme oder bewegliche Geräteteile. Diese sind mit einem entsprechenden Symbol gekennzeichnet.



Das Tragen von Handschuhen ist Vorschrift.



Es ist wichtig, Art und Häufigkeit der für einen sicheren Betrieb erforderlichen Inspektionen und Wartungsarbeiten, einschließlich der vorbeugenden Wartungsmaßnahmen, einzuhalten, wie im Abschnitt "Reinigung und regelmäßige Wartung" auf Seite "23".

IT

FR

DE

ES

PT

2.3 **Elektrische Warnhinweise**



Vergewissern Sie sich, dass die Versorgungsspannung den Angaben auf dem Typenschild des Kühlmöbels entspricht.



Die Elektroinstallation muss von fachkundigen Technikern fachgerecht ausgeführt werden.



Die Abdeckung der Schalttafel darf nur durch qualifizierte Techniker entfernt werden.



Gemäß den Installationsvorschriften muss das Stromversorgungsnetz über eine allpolige Trennvorrichtung verfügen, die unter den Betriebsbedingungen der Überspannungskategorie III die vollständige Trennung vom Netz gewährleistet.



Die Installation des Kühlmöbels muss gemäß den Anweisungen des Herstellers durch qualifiziertes Personal erfolgen. Dabei müssen die im jeweiligen Bestimmungsland des Kühlmöbels geltenden Vorschriften für elektrische Betriebsmittel eingehalten werden.




Eine fehlerhafte Installation des Kühlmöbels kann Schäden an Personen, Tieren oder Dingen verursachen, für die der Hersteller nicht haftbar gemacht werden kann.




Wenn das Netzkabel beschädigt ist, muss es von autorisiertem Servicepersonal ersetzt werden, um Gefahren zu vermeiden. Versuchen Sie nicht, das Kabel zu reparieren.





Versorgen Sie die Kühlmöbel nicht mit Strom, wenn sie beschädigt ist. Wenden Sie sich im Zweifelsfall an den Kundendienst oder Ihren Händler.


Modello - Modèle - Model Modell - Modelo - Modelo	ZENITH VP - REMOTE CLOSED	 epta refrigeration
Fabbricante - Constructeur - Manufacturer Hersteller - Fabricante - Fabricante	Epta Spa - Via Mecenate, 86 - 20138 Milano (MI) ITALIA Tel. 02/55403211 Telefax 02/55401023	9/27


2.4 Verbote


 Es ist verboten, andere als die vom Hersteller im Kühlmöbel mitgelieferten Geräte zu verwenden, um den Abtauvorgang zu beschleunigen.


 Das Entfernen der Schalttafelabdeckung oder das Öffnen von Abdeckungen, die den Einsatz von Werkzeug erfordern, ist für nicht qualifiziertes Personal verboten.


 Es ist verboten, das Kühlmöbel zur Aufbewahrung und/oder Präsentation von explosiven, entflammaren oder ätzenden Stoffen einzusetzen, wie z. B. Sprühdosen mit entflammarem Treibmittel.


 Das Kühlmöbel darf nicht für die Aufbewahrung und/oder Auslage von Arzneimitteln verwendet werden.

 BEI UNVERPACKTEN PRODUKTEN ODER BEI NIEDRIGEN TEMPERATUREN ist es verboten, dieses Kühlmöbel zur Lagerung und/oder Präsentation von Flaschen und Verpackungen aus Glas zu verwenden.

 Es ist verboten, das Kühlmöbel in einer Umgebung aufzustellen, in der sich explosive, gasförmige Stoffe befinden.

 Es ist verboten, das Typenschild des Kühlmöbels zu entfernen.

 Das Betreten der Theke oder der Thekenstoßstange ist verboten.

 Der Austausch von Bauteilen und/oder die Veränderung des Kühlgeräts, die nicht den Angaben des Herstellers entsprechen, sowie der Austausch von Originalersatzteilen durch andere, nicht vom Hersteller zugelassene Teile, ist verboten und führt zum Verlust der Garantiesansprüche.

EN

IT

FR

DE

ES

PT

Modello - Modèle - Model Modell - Modelo - Modelo	ZENITH VP - REMOTE CLOSED	 epta refrigeration
Fabbricante - Constructeur - Manufacturer Hersteller - Fabricante - Fabricante	Epta Spa - Via Mecenate, 86 - 20138 Milano (MI) ITALIA Tel. 02/55403211 Telefax 02/55401023	10/27

User Manual

3. ALLGEMEINE BESCHREIBUNG

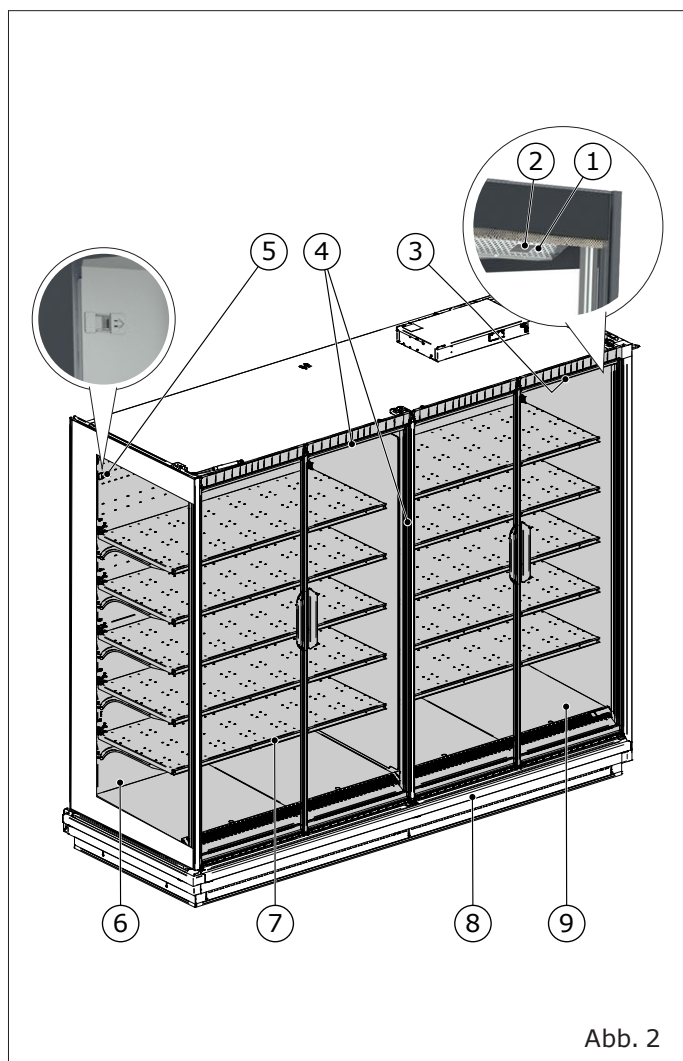


Abb. 2

1. Lichtschalter
2. Display
3. Typenschild
4. Beleuchtung
5. Verriegelung der Rückwand
6. Seitliche Glasabschlüsse
7. Auslagenfächer
8. Stoßleiste (optional)
9. Bodenplatten

3.1 Schnittbilder

H20 SMALL

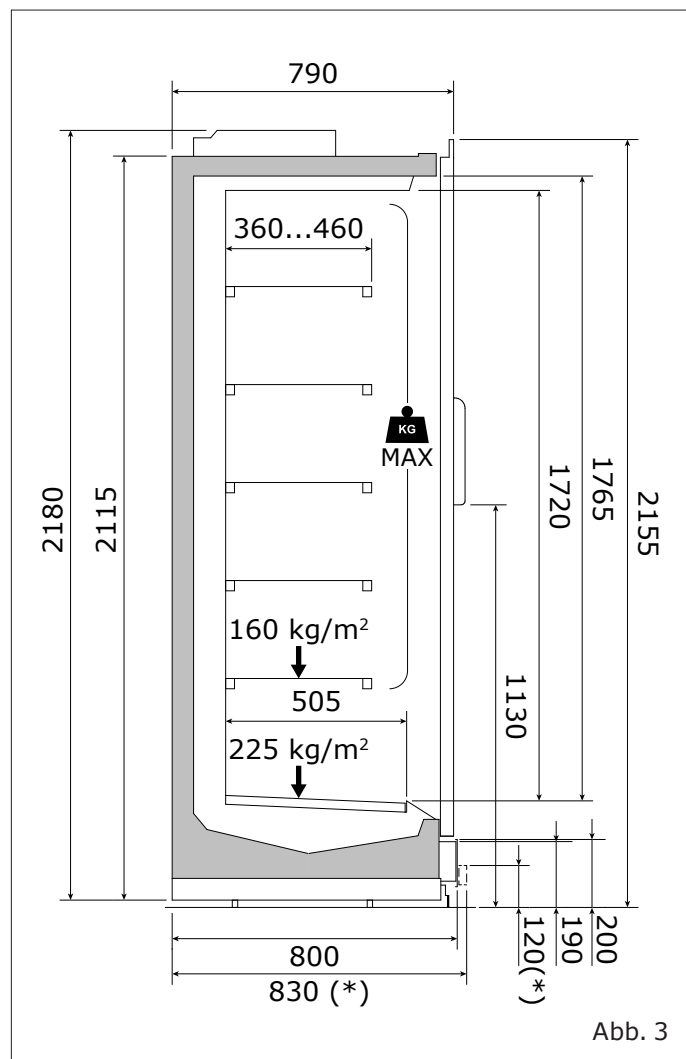


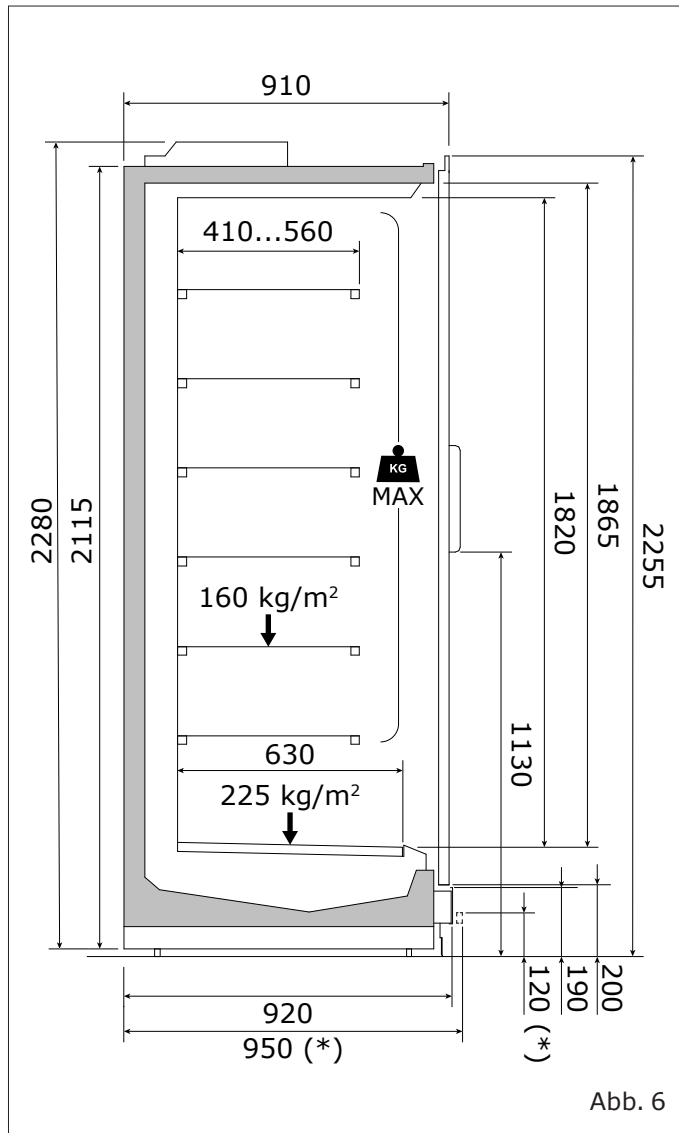
Abb. 3

(*) Optional

Modello - Modèle - Model Modell - Modelo - Modelo	<h1>ZENITH VP - REMOTE CLOSED</h1>	
Fabbricante - Constructeur - Manufacturer Hersteller - Fabricante - Fabricante	Epta Spa - Via Mecenate, 86 - 20138 Milano (MI) ITALIA Tel. 02/55403211 Telefax 02/55401023	12/27

User Manual

H22 MEDIUM



(*) Optional

Modello - Modèle - Model Modell - Modelo - Modelo	ZENITH VP - REMOTE CLOSED	
Fabbricante - Constructeur - Manufacturer Hersteller - Fabricante - Fabricante	Epta Spa - Via Mecenate, 86 - 20138 Milano (MI) ITALIA Tel. 02/55403211 Telefax 02/55401023	13/27

4. TRANSPORT DES KÜHLMÖBELS



1. Hebepunkte

EN


IT

FR

DE

ES


PT

Modello - Modèle - Model Modell - Modelo - Modelo	ZENITH VP - REMOTE CLOSED	
Fabbricante - Constructeur - Manufacturer Hersteller - Fabricante - Fabricante	Epta Spa - Via Mecenate, 86 - 20138 Milano (MI) ITALIA Tel. 02/55403211 Telefax 02/55401023	14/27

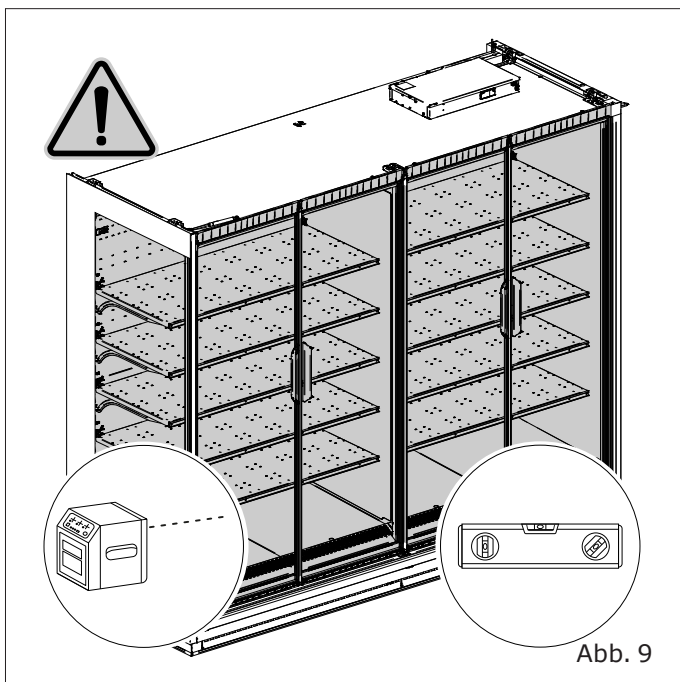
User Manual

Tab. I

Höhe	Tiefe	Länge	Gewicht (kg)	Gewicht mit Verpackung (kg)
2100	SMALL	1250	210	230
		1875	275	305
		2500	435	500
		3750	650	810
	MEDIUM	1250	230	250
		1875	300	330
		2500	470	500
		3750	720	760
		EOL 133	225	250
		EOL 184	450	500
		EOL 194	490	550
	LARGE	1250	250	270
		1875	325	355
		2500	505	535
		3750	770	810
		EOL 219	590	660
2200	LARGE	1250	270	290
		1875	355	385
		2500	535	565
		3750	810	850

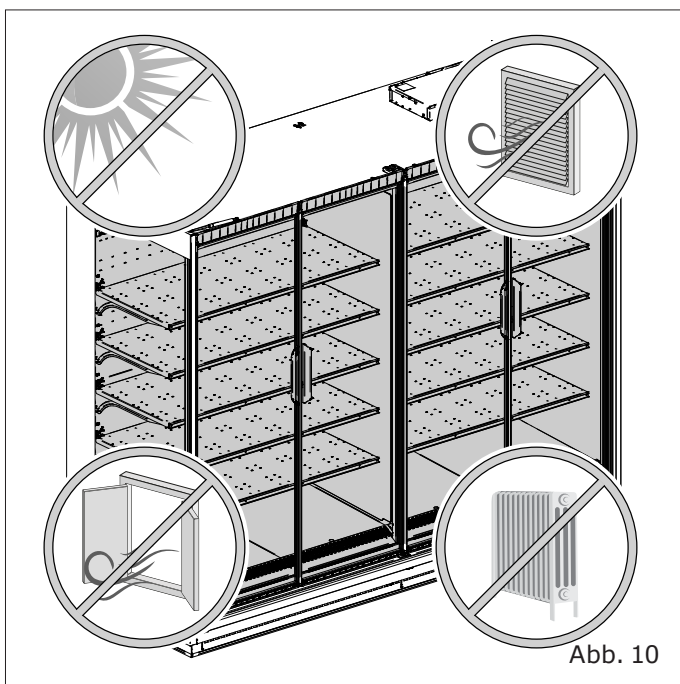
Modello - Modèle - Model Modell - Modelo - Modelo	ZENITH VP - REMOTE CLOSED	
Fabbricante - Constructeur - Manufacturer Hersteller - Fabricante - Fabricante	Epta Spa - Via Mecenate, 86 - 20138 Milano (MI) ITALIA Tel. 02/55403211 Telefax 02/55401023	15/27


5. UMGEBUNGSBEDINGUNGEN



Tab. II

Eigenschaften	
Art des Aufstellungsortes	Geschlossen
Temperatur	25°C
Relative Luftfeuchtigkeit	60 %
Beleuchtung	600 lx



Modello - Modèle - Model Modell - Modelo - Modelo	ZENITH VP - REMOTE CLOSED	 epta refrigeration
Fabbricante - Constructeur - Manufacturer Hersteller - Fabricante - Fabricante	Epta Spa - Via Mecenate, 86 - 20138 Milano (MI) ITALIA Tel. 02/55403211 Telefax 02/55401023	16/27

User Manual

6. TECHNISCHE EIGENSCHAFTEN


 EPTA S.p.A. Via Mecenate, 86 20138 Milano - Italy		12	
1		2	
3		4	
5		6	
7		8	
9		10	
11		12	
13		14	
15		16	
17		18	
19		20	
21		22	
23		24	
25		26	
27		28	
29		30	
31		32	
33		34	
35		36	
37		38	
39		40	
41		42	
43		44	
45		46	
47		48	
49		50	
51		52	
53		54	
55		56	
57		58	
59		60	
61		62	
63		64	
65		66	
67		68	
69		70	
71		72	
73		74	
75		76	
77		78	
79		80	
81		82	
83		84	
85		86	
87		88	
89		90	
91		92	
93		94	
95		96	
97		98	
99		100	

Abb. 11

- | | |
|--|---|
| <ol style="list-style-type: none"> 1. Produktherkunft 2. Hergestellt in "Herstellungsland" 3. Nennspannung 4. Nennleistung 5. Nennfrequenz 6. Nennstrom 7. Abtauleistung 8. Strom für die Abtauautomatik 9. Heizsystem 10. Beleuchtungssystem 11. Betriebshandbuch 12. Barcode 13. Seriennummer | <ol style="list-style-type: none"> 14. Herstellungsdatum 15. Hat Code 16. Modell/Bezeichnung 17. Kältemittelart 1 18. Kältemittelmasse 1 19. Kältemittelart 2 20. Kältemittelmasse 2 21. Klimaklasse 22. Isolierung der Kältemittelleitung 23. Schutzklasse 24. Zertifizierungskennzeichen |
|--|---|

6.1 Modellreferenz / Bezeichnung

Die Tabelle erläutert, wie der Modellcode zu lesen ist, und gibt die relevanten kommerziellen Informationen für jeden Teil der Referenz an (siehe Etikettenfeld Nummer: "16").

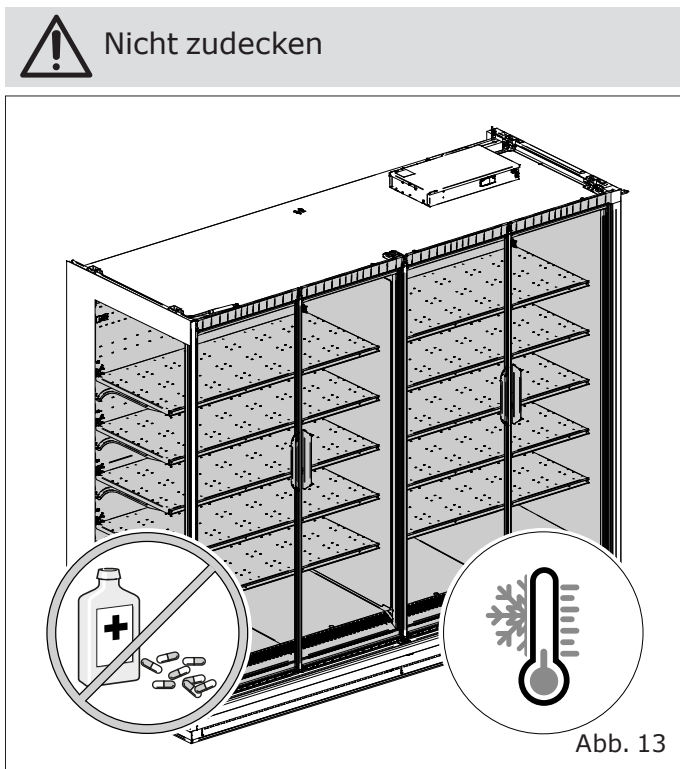
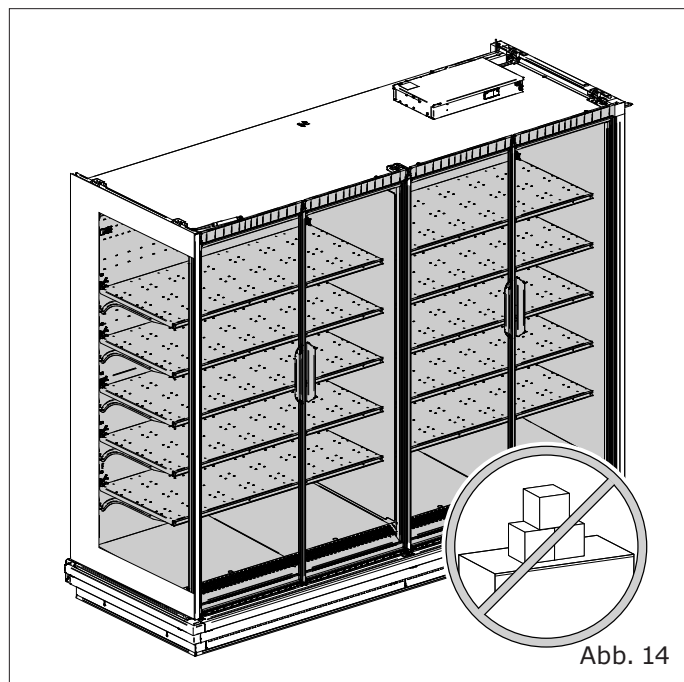
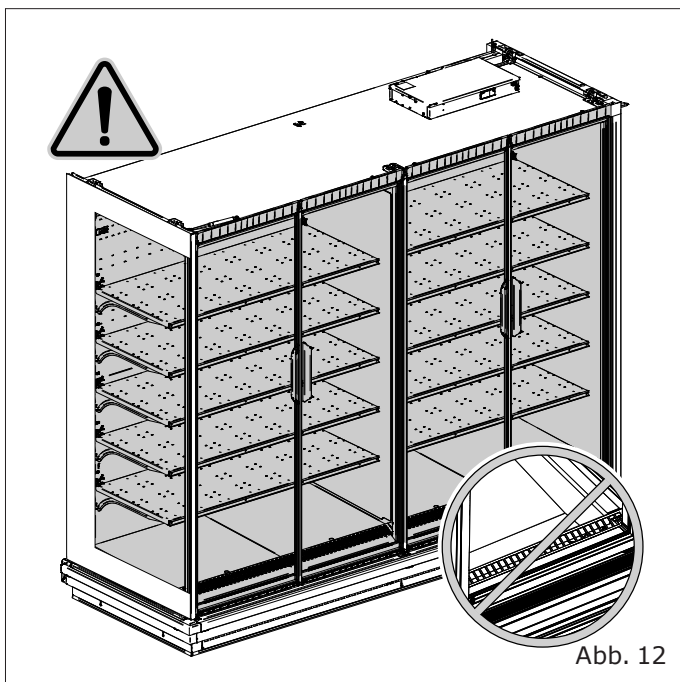
AL1aCb angegeben (Kühlmöbel)

Referenz / Bezeichnung	Beschreibung	Kommerzielle Informationen
AL1	Name	Zenith VP
a	Tiefe	S (SMALL), M (MEDIUM), L (LARGE)
C	Typologie	C (Geschlossen)
bb	Länge	12, 18, 25, 37, T1, T3, T4, T5

Beispiel: AL1MC37 - Zenith VP MEDIUM CLOSED 375

Modello - Modèle - Model Modell - Modelo - Modelo	ZENITH VP - REMOTE CLOSED	
Fabbricante - Constructeur - Manufacturer Hersteller - Fabricante - Fabricante	Epta Spa - Via Mecenate, 86 - 20138 Milano (MI) ITALIA Tel. 02/55403211 Telefax 02/55401023	17/27

7. VERWENDUNG DES KÜHLMÖBELS



2. Anzeige der Temperatur

Modello - Modèle - Model
Modell - Modelo - Modelo

ZENITH VP - REMOTE CLOSED



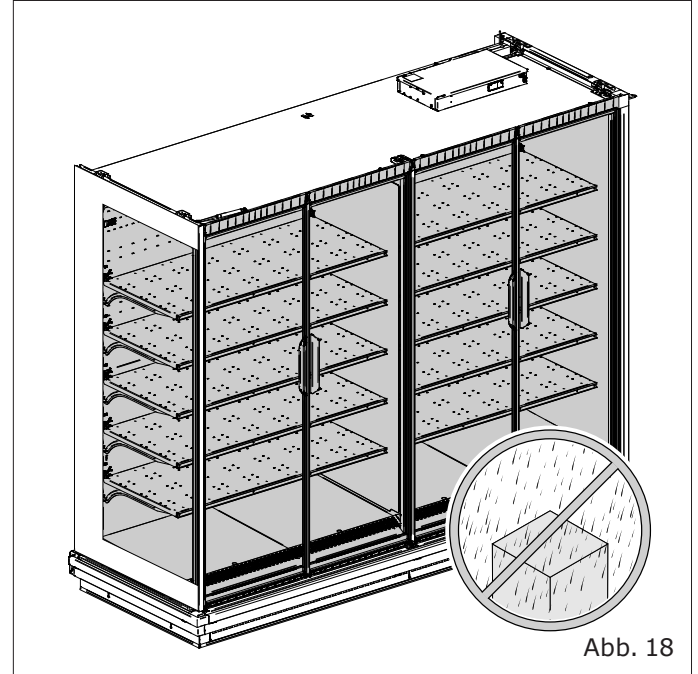
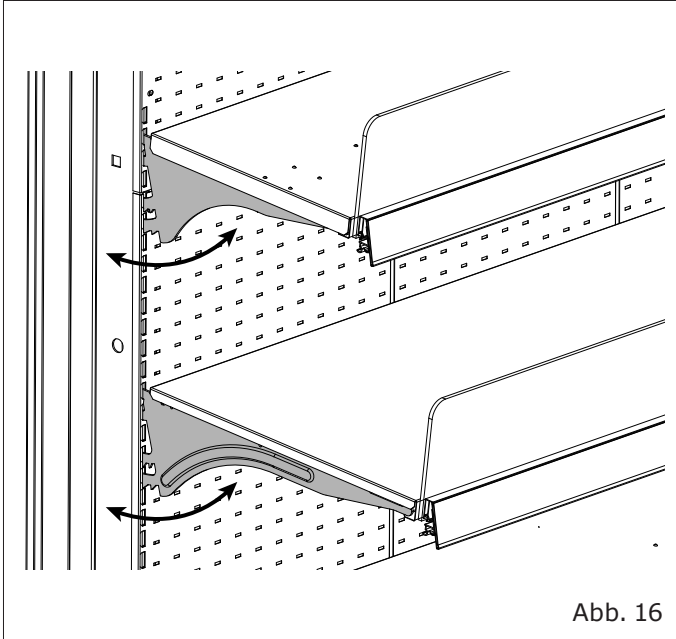
Fabbricante - Constructeur - Manufacturer
Hersteller - Fabricante - Fabricante

Epta Spa - Via Mecenate, 86 - 20138 Milano (MI) ITALIA
Tel. 02/55403211 Telefax 02/55401023

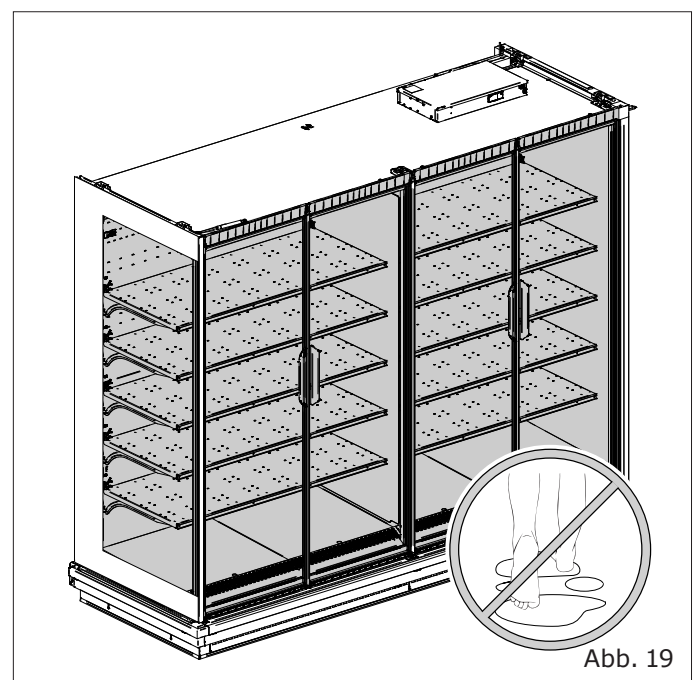
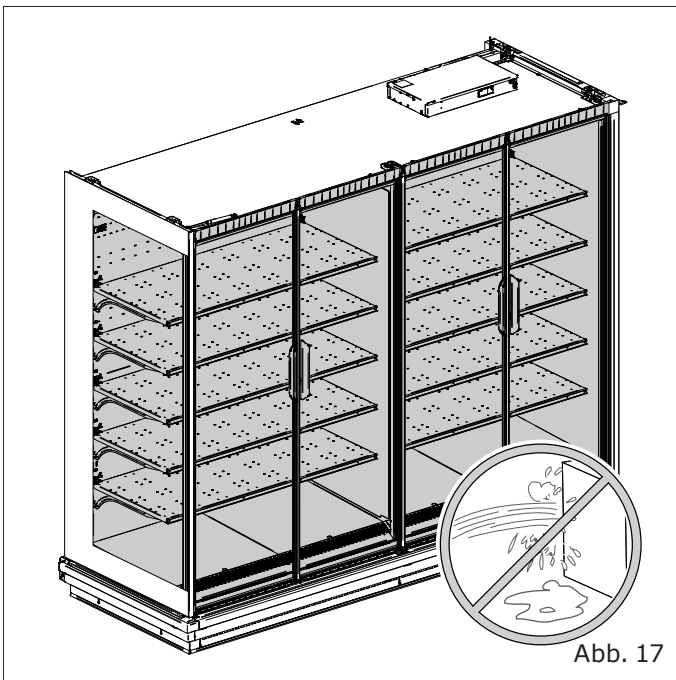
18/27


User Manual

EN
IT
FR
DE
ES
PT



Neigung der facher: 0° - 7° - 14° - 21°



Modello - Modèle - Model Modell - Modelo - Modelo	ZENITH VP - REMOTE CLOSED	
Fabbricante - Constructeur - Manufacturer Hersteller - Fabricante - Fabricante	Epta Spa - Via Mecenate, 86 - 20138 Milano (MI) ITALIA Tel. 02/55403211 Telefax 02/55401023	19/27

8. WARTUNG DES MÖBELS

8.1 Die Reinigung des Kühlmöbels

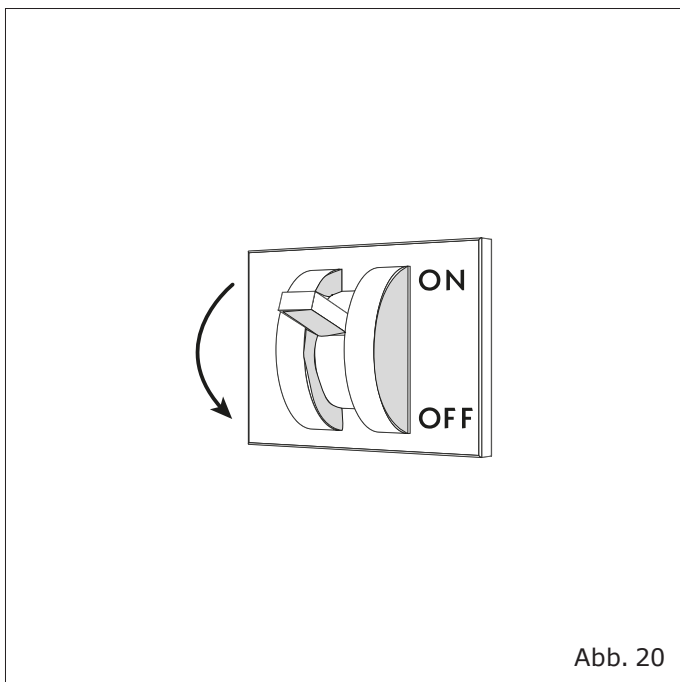


Abb. 20

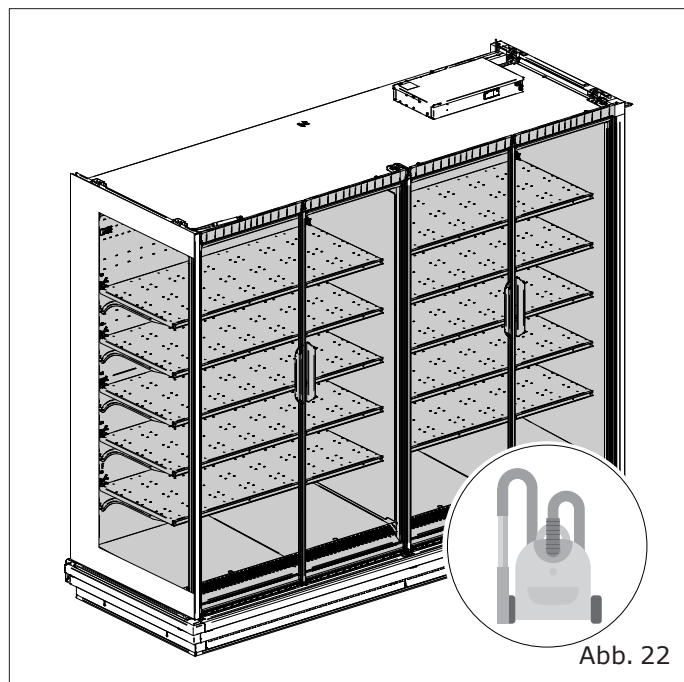


Abb. 22

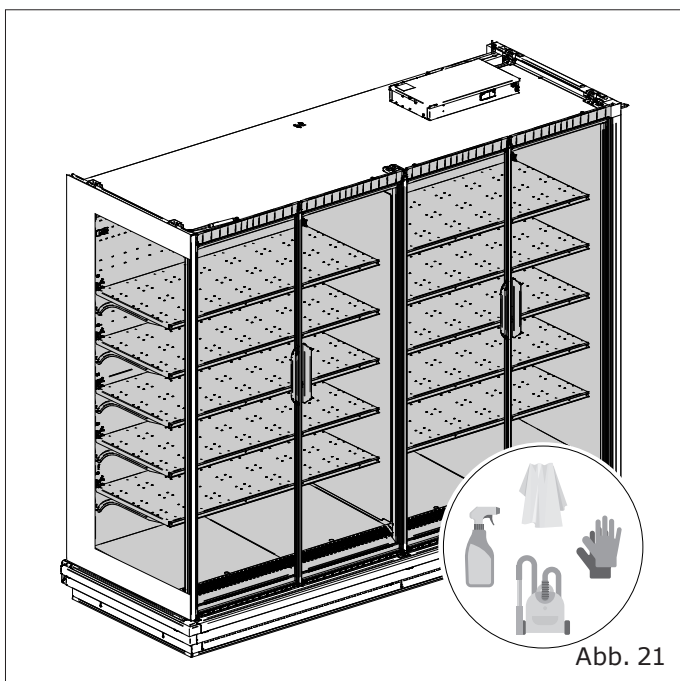


Abb. 21

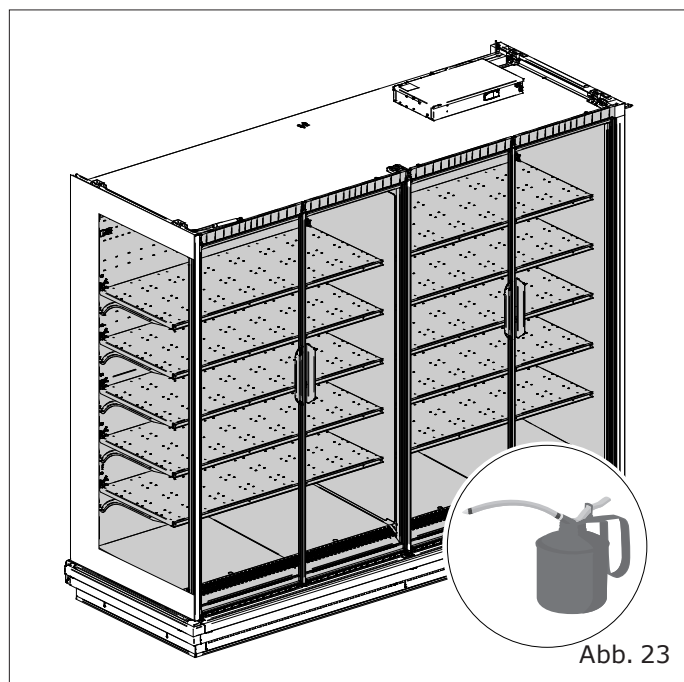


Abb. 23

Modello - Modèle - Model Modell - Modelo - Modelo	ZENITH VP - REMOTE CLOSED	
Fabbricante - Constructeur - Manufacturer Hersteller - Fabricante - Fabricante	Epta Spa - Via Mecenate, 86 - 20138 Milano (MI) ITALIA Tel. 02/55403211 Telefax 02/55401023	20/27

User Manual

9. REGALKONFIGURATION

H20

Ebene	SMALL	MEDIUM	LARGE
Mindestanzahl Ebene 1			
2 Ebenen	Alle Ebenen in 360 mm oder alle Ebenen in 410 mm oder alle Ebenen in 460 mm oder Kombination in Reihenfolge von oben nach unten: 360 - 410 - 460 mm	Alle Ebenen auf 410 mm oder Alle Ebenen su 460 mm oder Alle Ebenen auf 510 mm oder Alle Ebenen auf 560 mm oder Kombination in Reihenfolge von oben nach unten: 410 - 460 - 510 - 560 - 560 mm	Alle Ebenen in 510 mm oder Alle Ebenen in 560 mm oder Alle Ebenen in 610 mm oder Kombination in Reihenfolge von oben nach unten: 510 - 560 - 610 mm
3 Ebenen			
4 Stufen			
5 Ebenen			
6 Ebenen			
Maximalanzahl Ebene 7	Nur 7 Ebenen ohne Beleuchtung oder ohne Innenspiegel		

H22

Ebene	MEDIUM
Mindestanzahl Ebene 1	
2 Ebenen	Alle Ebenen auf 410 mm oder Alle Ebenen su 460 mm oder Alle Ebenen auf 510 mm oder Alle Ebenen auf 560 mm oder Kombination in Reihenfolge von oben nach unten: 410 - 460 - 510 - 560 - 560 mm
3 Ebenen	
4 Stufen	
5 Ebenen	
6 Ebenen	
Maximalanzahl Ebene 7	Nur 7 Ebenen ohne Beleuchtung oder ohne Innenspiegel

Modello - Modèle - Model Modell - Modelo - Modelo	ZENITH VP - REMOTE CLOSED	
Fabbricante - Constructeur - Manufacturer Hersteller - Fabricante - Fabricante	Epta Spa - Via Mecenate, 86 - 20138 Milano (MI) ITALIA Tel. 02/55403211 Telefax 02/55401023	21/27

10. HINWEISE FÜR DEN NUTZER

10.1 Beschreibung des Kühlmöbels

Das Kühlmöbel wurde so geplant und hergestellt, daß es für die Aufbewahrung von frischen, verpackten Lebensmitteln, Getränken und Milchprodukten geeignet ist.

TEMPERATURKLASSE (gemäß EN ISO 23953-2): 4M1 (*), 3M1, 3M0.

(*) Nur in der Konfiguration ADVANCE+

Die allgemeinen Eigenschaften und die Abmessungen sind in den Abbildungen und in den Abschnitten der aufgeführt: "Allgemeine Beschreibung" (ab S. "10" bis S. "12").

Die empfohlenen Temperatureinstellungen für jedes Fach zur optimalen Lagerung von Lebensmitteln sind im EPREL-Produktdatenblatt angegeben oder durch Aufruf der Website <https://eprel.eptarefrigeration.com> und Befolgung der dort angegebenen Anweisungen für den Datenbankzugang verfügbar.

Beachten Sie, dass bei Transport, Handling, Anlieferung, Lagerung, Aufstellung, Beladung, Benutzung, Reinigung und Wartung sowie bei der Demontage die Gefahr besteht, dass das Gerät umkippt ("Abb. 24").

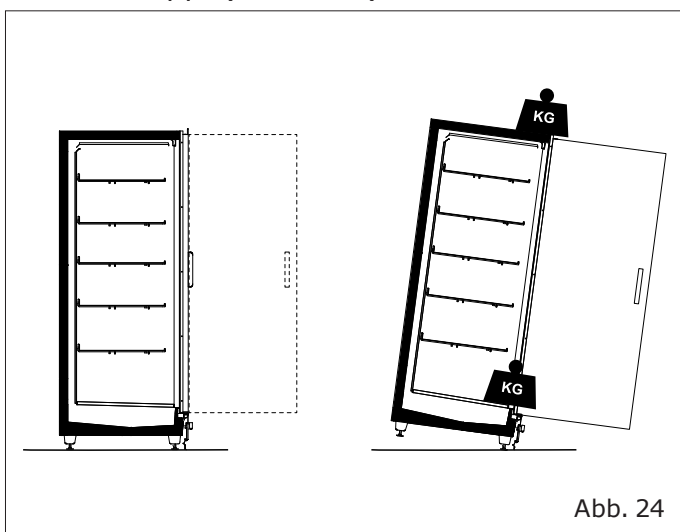


Abb. 24

10.2 Transport und Bewegung des Kühlmöbels

Das Möbel befindet sich in einer speziellen Verpackung mit einem Transportsockel für den Gabelstapler.

Verwenden Sie für die Bewegung des Möbels:

- Ausschließlich einen speziell geeigneten oder gleichwertigen Transportsockel
- Einen manuellen oder elektrischen Hubwagen, der für das Anheben des Möbels geeignet ist und über die vorgeschriebenen Eigenschaften verfügt

Das Gerätegewicht (Leergewicht und mit Verpackung) und die Abmessungen der Verpackung sind im Abschnitt aufgeführt: "Transport des Kühlmöbels" (Tabelle "Tab. I" bis S. "14").

Die Durchführung der Positionierungsarbeiten muss durch qualifiziertes Personal erfolgen. Dieses muss in der Lage sein, das Gewicht, die Hebepunkte und die für die Sicherheit und Tragfähigkeit am besten geeigneten Hilfsmittel richtig einzuschätzen.

10.3 Empfang und Lagerung des Möbels

Überprüfen Sie den Zustand der Verpackung, bevor Sie das Gerät in Empfang nehmen. Sollte die Verpackung sichtbare Beschädigungen aufweisen:

- Entfernen Sie die Verpackung unter den Augen des Lieferanten.
- Quittieren Sie den Empfang des Dokuments unter Vorbehalt

Der Hersteller haftet nicht für Schäden, die durch den Transport oder die unsachgemäße Lagerung des Kühlmöbels entstehen.

Das Gerät muss an einem Ort gelagert werden, der vor Sonneneinstrahlung und Witterungseinflüssen geschützt ist und in dem eine Temperatur zwischen -25°C und +55°C sowie eine Luftfeuchtigkeit zwischen 30% und 95% herrschen.

Modello - Modèle - Model Modell - Modelo - Modelo	ZENITH VP - REMOTE CLOSED	
Fabbricante - Constructeur - Manufacturer Hersteller - Fabricante - Fabricante	Epta Spa - Via Mecenate, 86 - 20138 Milano (MI) ITALIA Tel. 02/55403211 Telefax 02/55401023	22/27

10.4 Installation und Umgebungsbedingungen

Das Gerät ist nicht für die Installation im Freien geeignet.

Für den korrekten Betrieb müssen bei der Positionierung des Geräts folgende Voraussetzungen erfüllt sein:

- Das Gerät muss auf einem ebenen Untergrund aufgestellt werden. ("Abb. 9").
- Es dürfen sich keine Wärmequellen, direkte Sonneneinstrahlung, Türen, Fenster, Ventilatoren oder Lüftungsöffnungen in der Nähe befinden ("Abb. 10").

Es muss genug Platz vorhanden sein, damit die Kundschaft das Gerät bedienen kann.

Die Hinweise zu den Umgebungsbedingungen, in denen das Gerät aufgestellt werden soll, finden Sie in: "Umgebungsbedingungen" (Tabelle "Tab. II", S."15").

10.5 Elektrischer Anschluss

Dem Gerät muss ein allpoliger Trennschalter vorgeschaltet werden. Dieser muss über eine ausreichende Trennungsstärke verfügen.

- einen Mindestabstand der Kontakte von 3 mm aufweisen
- Über eine ausreichende Trennungsstärke verfügen

Der Kühltheke muss ein gut sichtbar für das Reinigungs- und Wartungspersonal angeordneter Leistungsschutzschalter vorgeschaltet sein, andernfalls muss sie mit einer in der getrennten Stellung verriegelbaren Ausschaltung ausgestattet sein.

Vergewissern Sie sich, dass die Netzspannung mit den Angaben auf dem Typenschild übereinstimmt, bevor Sie das Möbel an den Strom anschließen. Damit der ordnungsgemäße Betrieb gewährleistet ist, darf die Spannung insgesamt maximal zwischen +/- 6% vom Nennwert abweichen.

10.6 Technische Eigenschaften

Das Typenschild enthält die technischen Daten des Gehäuses. Die Position ist in ("Abb. 2") und die Art der Daten, die gemeldet werden in: "Technische Eigenschaften" ("Abb. 11").

Sie finden die Schaltpläne, Kalibrierungslisten der Kontrollinstrumente, Installationsanweisungen sowie eine Kopie der Konformitätserklärung unter dem folgenden Link: <https://documents.eptarefrigeration.com>. Der durch den Betrieb des Geräts erzeugte Schalldruckpegel liegt unter 70 dB(A). Das Möbel erzeugt keine schädlichen Schwingungen.

10.7 Die Befüllung des Kühlmöbels

Schalten Sie das Gerät über den an der Wand montierten Hauptschalter ein, um den Kühlkreislauf zu starten. Etwa 2 später können Sie damit beginnen, das Kühlmöbel zu befüllen. Das Gerät ist dafür ausgelegt, die Temperatur der enthaltenen Waren aufrechtzuerhalten. Es ist nicht dazu ausgelegt, die Warentemperatur zu senken. Es sollten daher nur Waren in das Kühlmöbel gelegt werden, die bereits auf ihre jeweilige Lagertemperatur heruntergekühlt wurden. Sie sollten niemals Produkte im Kühlmöbel lagern, die sich zuvor erwärmt haben.


Wenn das Kühlmöbel über eine Frontverglasung verfügt, wird empfohlen, es außerhalb der Ladenöffnungszeiten zu befüllen.

Achten Sie beim Befüllen des Kühlmöbels darauf, dass:

- Das Kühlmöbel unter Berücksichtigung der Größe und Art der Waren gleichmäßig befüllt wird.
- Die Waren nicht die Zirkulation der Kaltluft beeinträchtigen ("Abb. 12")
- Die Waren nicht die Fülllinie überschreiten.

Das zulässige Gesamtgewicht sich gleichmäßig im Kühlmöbel verteilt:

- Untere Ablagefläche: 225 kg/m²
- Auf den Etageren: 160 kg/m²
- Von den Regalen insgesamt: MAX 480 kg/m²

Modello - Modèle - Model Modell - Modelo - Modelo	ZENITH VP - REMOTE CLOSED	 epta refrigeration
Fabbricante - Constructeur - Manufacturer Hersteller - Fabricante - Fabricante	Epta Spa - Via Mecenate, 86 - 20138 Milano (MI) ITALIA Tel. 02/55403211 Telefax 02/55401023	23/27

10.8 Verwendung des Kühlmöbels



Für einen einwandfreien Betrieb, empfiehlt es sich außerdem prüfen, daß die Türen nicht offen bleiben.

Beleuchtung

Die Beleuchtung des Kühlmöbels wird über einen in das obere rechte Gitter des Kühlmöbels integrierten Schalter gesteuert. ("Abb. 2").

Display

Rechts oben am Kühlmöbel ist ein Temperaturdisplay zur Temperaturregelung angebracht. ("Abb. 15").

Das Temperaturdisplay zeigt die aktuelle Temperatur im Innenraum an; die Temperatureinstellung erfolgt über die entsprechenden Tasten.

Anordnung und Neigung der Präsentationsregale

Um die korrekten Leistungen zu garantieren, für die das Möbel konzipiert wurde, müssen die Etagere im Möbel wie in der unten beschriebenen Konfiguration angeordnet werden (Tabelle auf Seite "20").

Stellungen geneigt werden, indem die Tragwinkel für die Fächer an den hinteren Ständern des Kühlmöbels entsprechend eingestellt werden. ("Abb. 16").

10.9 Reinigung und regelmäßige Wartung

Es wird empfohlen, im Arbeitsbereich für gute Lichtverhältnisse zu sorgen und eventuell eine zusätzliche Leuchtquelle einzuschalten.

Die Reinigung des Kühlmöbels

Verwenden Sie für die Reinigung nur Wasser mit einer Temperatur von max. 65°C sowie milde Haushaltsseife oder ein in Wasser verdünntes, neutrales Reinigungsmittel.

Verwenden Sie bei den Glasflächen ausschließlich Produkte, die für die Reinigung von Glasflächen geeignet sind. Von einer Reinigung mit Wasser wird abgeraten, da sich sonst Kalkablagerungen auf der Glasflächen bilden können.

Verwenden Sie auf keinen Fall:

- Scheuerschwämme
- Entzündliche Produkte oder aggressive Mittel wie Alkohol, Azeton oder Lösungsmittel
- Reinigungsmittel, die nichtionische Tenside, Zitrone oder Essig (Essigsäure) enthalten




Waschen oder reinigen Sie den oberen Teil des Kühlmöbels nicht mit Wasser oder anderen Flüssigkeiten.

Reinigen Sie alle Außenflächen des Kühlmöbels **EINMAL PRO WOCHE**.

Reinigen Sie alle Innenflächen des Kühlmöbels **EINMAL PRO MONAT** und befolgen Sie dafür die folgende Anleitung:

- Trennen Sie das Kühlmöbel mit Hilfe des Wandschalters vom Stromnetz ("Abb. 20").
- Entleeren Sie das Kühlmöbel und lagern Sie die Waren in Kühlzellen oder Kühlschränken, in denen die Konservierungstemperatur aufrechterhalten wird.
- Warten Sie ab, bis das Kühlmöbel die Umgebungstemperatur erreicht hat und fahren Sie mit der Reinigung folgendermaßen fort
- Stellen Sie sicher, dass der Innenraum des Kühlmöbels auch wirklich vollständig trocken ist und schließen Sie es dann wieder an die Stromversorgung an.
- Warten Sie ein paar Stunden ab, bevor Sie die Waren zurück in das Kühlmöbel legen.

Modello - Modèle - Model Modell - Modelo - Modelo	ZENITH VP - REMOTE CLOSED	
Fabbricante - Constructeur - Manufacturer Hersteller - Fabricante - Fabricante	Epta Spa - Via Mecenate, 86 - 20138 Milano (MI) ITALIA Tel. 02/55403211 Telefax 02/55401023	24/27

User Manual

EN

Wenn Sie das Gerät außer Betrieb setzen, trennen Sie es von der Stromversorgung und verfahren wie oben beschrieben. Lassen Sie anschließend die Türen offen stehen (falls vorhanden), um zu vermeiden, dass sich unangenehme Gerüche bilden.

IT

FR

DE

ES

PT

Sie sollten das Kühlmöbel **ALLE DREI MONATE** abtauen, damit Eiskristalle, die sich möglicherweise auf den Lamellen des Verdampfers gebildet haben, schmelzen und seine Funktion nicht beeinträchtigen. Die Dauer und die Anzahl der Abtauvorgänge sind bereits werkseitig eingestellt. Änderungen dürfen nur durch den technischen Wartungsdienst vorgenommen werden. Das Abtauwasser fließt durch einen speziellen Ablauf. Überprüfen Sie regelmäßig, dass das Abtauwasser normal abläuft. Sollte das nicht der Fall sein, verwenden Sie eine stumpfe, flexible Sonde.

Fahren Sie anschließend fort wie bei der **MONATLICHEN** Reinigung des Innenraums. Planen Sie aber eine entsprechend längere Wartezeit ein, da es dauern wird, bis das Eis komplett geschmolzen ist.

10.10 Gefahrensituationen

Das Gerät geht nicht an oder stellt seinen Betrieb ein:


- Stellen Sie sicher, ob nicht vielleicht ein allgemeiner Stromausfall die Ursache ist.
- Überprüfen Sie, ob der Hauptschalter an der Wand eingeschaltet ist.
- Kontrollieren Sie, ob der Netzstecker richtig eingesteckt ist.

Wenn keiner der vorgenannten Gründe die Ursache für die Stromunterbrechung ist, wenden Sie sich sofort an das nächstgelegene autorisierte Service-Center. Räumen Sie das Kühlmöbel schnellstmöglich leer und lagern Sie die Waren in Kühlzellen und Kühlschränken, in denen die korrekte Konservierungstemperatur herrscht.

Die Kühlleistung ist nicht ausreichend:

- Stellen Sie sicher dass das Kühlmöbel korrekt befüllt wurde.
- Falls in den letzten drei Monaten nicht geschehen, tauen Sie das Kühlmöbel ab und lassen Sie es anschließend seinen normalen Betrieb wiederaufnehmen.
- Überprüfen Sie, ob sich in der Nähe des Kühlmöbels eine Wärmequelle oder ein Luftzug befindet.
- Kontrollieren Sie die Umgebungsbedingen, so wie sie im Abschnitt beschrieben sind: "Umgebungsbedingungen" ("Tab. II", S."15").
- Stellen Sie mit Hilfe einer Wasserwaage sicher, dass das Möbel gerade steht.

Sollte die Kühlleistung noch immer nicht ausreichend sein, wenden Sie sich an das nächste autorisierte Service-Center.

Modello - Modèle - Model Modell - Modelo - Modelo	ZENITH VP - REMOTE CLOSED	 epta refrigeration
Fabbricante - Constructeur - Manufacturer Hersteller - Fabricante - Fabricante	Epta Spa - Via Mecenate, 86 - 20138 Milano (MI) ITALIA Tel. 02/55403211 Telefax 02/55401023	25/27

Das Kühlmöbel ist laut:

- Stellen Sie sicher, dass alle Schrauben und Muttern fest angezogen sind.
- Stellen Sie mit Hilfe einer Wasserwaage sicher, dass das Möbel gerade steht.

Sollte der Lärm andauern, wenden Sie sich an das nächste autorisierte Service-Center.

10.11 Technischer Wartungsdienst

Sollten Sie technische Hilfe benötigen, wenden Sie sich bitte umgehend an den Lieferanten, bei dem Sie das Gerät gekauft haben.

Sollten Sie Ersatzteile benötigen, wenden Sie sich immer an den technischen Kundendienst: Fragen Sie nach und vergewissern Sie sich, dass auch wirklich Originalersatzteile verwendet werden.

10.12 Demontage und Entsorgung

In Übereinstimmung mit den Entsorgungsvorschriften der einzelnen Länder und um unsere Umwelt zu schützen, bitten wir Sie, die einzelnen Komponenten des Geräts voneinander zu trennen, damit sie separat entsorgt oder ggf. ordnungsgemäß verwertet werden können.

Mit Ausnahme der Metallteile, die in den meisten europäischen Ländern nicht als Sondermüll eingestuft werden, sind die einzelnen Bauteile nicht wie Restmüll zu behandeln.



Das Kühlsystem arbeitet mit Hochdruck. Wenden Sie sich an qualifizierte Fachleute, bevor Sie das Gerät verschrotten.

Die zum Kühlkreislauf gehörigen Bauteile dürfen erst zerlegt und/oder abgetrennt werden, nachdem der Kühlkreislauf entleert wurde und das Kältegas durch qualifiziertes Personal aufgefangen wurde.

EN

IT

FR

DE

ES

PT

Modello - Modèle - Model Modell - Modelo - Modelo	ZENITH VP - REMOTE CLOSED	
Fabbricante - Constructeur - Manufacturer Hersteller - Fabricante - Fabricante	Epta Spa - Via Mecenate, 86 - 20138 Milano (MI) ITALIA Tel. 02/55403211 Telefax 02/55401023	26/27

11. ALLGEMEINE ERGÄNZENDE HINWEISE

Hinweise zur korrekten Installation und Wartung

Alle Hinweise zur Installation und Wartung finden Sie im Benutzerhandbuch auf der folgenden Webseite:
www.eptarefrigeration.com.

Die Installationsanleitungen für qualifiziertes Fachpersonal sind in an folgender Stelle verfügbar:

- beim Kundenservice
- Im Lieferumfang einiger Produktkategorien ist die Installationsanleitung in Papierform enthalten

Produktinformationen

Die Produktinformationen (EPREL) sind verfügbar, indem Sie die Website <https://eprel.eptarefrigeration.com>

Gewährleistung

Für dieses Produkt besteht eine gesetzliche Gewährleistungsdauer von 12 Monaten, sofern nicht ausdrücklich etwas anderes vereinbart wurde.

Professioneller Reparaturservice

Dieses Angebot wird von unseren Servicestellen für Sie bereitgestellt, Sie finden die Informationen unter dem folgenden Link: www.eptarefrigeration.com.

Ersatzteile

Ersatzteile und Reparaturhinweise für das Gerät sind mindestens noch 8 Jahre, nachdem die Produktion eingestellt wurde, unter der folgenden Adresse verfügbar: www.epta-service.com/service.

Für die erforderlichen Zugangsdaten senden Sie bitte eine E-Mail an:
servicesupport@eptarefrigeration.com.

Wichtiger Hinweis zur Lebensmittelverschwendung

Es wird empfohlen, die Lagerungshinweise auf den Produktverpackungen und die Anweisungen der Lebensmittelhersteller sorgfältig zu beachten.

Die Temperatureinstellungen müssen dabei gemäß den Angaben in unserer technischen Dokumentation an die Konservierungseigenschaften der Lebensmittel angepasst werden.

Unsachgemäßer Gebrauch kann zum vorzeitigen Verderb von Lebensmitteln führen.

Umgebungsbedingungen

Dieses Gerät ist für den Einsatz in einer Umgebung vorgesehen, in der die Temperatur und die Luftfeuchtigkeit innerhalb der in der Bedienungsanleitung angegebenen Bereiche liegen.

Anweisungen zur Demontage

Die Demontage muss durch qualifizierte Fachkräfte erfolgen.

Die Epta-Gruppe legt seit jeher größten Wert auf den Schutz der Umwelt. Sie stellt daher allen Nutzern des Handbuchs die Anleitungen zur Demontage und Abfallbehandlung zum Herunterladen zur Verfügung.

- Greifen Sie auf die Website www.bonnetneve.com zu



- Greifen Sie auf den Abschnitt **technischer Bereich** des Schanks zu.

Modello - Modèle - Model Modell - Modelo - Modelo	ZENITH VP - REMOTE CLOSED	
Fabbricante - Constructeur - Manufacturer Hersteller - Fabricante - Fabricante	Epta Spa - Via Mecenate, 86 - 20138 Milano (MI) ITALIA Tel. 02/55403211 Telefax 02/55401023	27/27

Weitere Informationen

Bitte wenden Sie sich für nähere Informationen an die folgende Adresse www.eptarefrigeration.com und an die Produktdatenbank EPREL. Sie können diese Seite aufrufen, indem Sie den QR-Code auf dem Energielabel Ihres Geräts scannen.



Grenzen der vorgesehenen Anwendung



Dieses Gerät ist für den Einsatz, den Transport und die Lagerung bis zu einer maximalen Höhe von 2000 m über dem Meeresspiegel ausgelegt.

Lagerung:

- Temperatur zwischen 15°C und 50°C
- Relative Luftfeuchtigkeit zwischen 20% und 90%
- Maximal für 6 Monate

Transport:

- Temperatur zwischen 20°C und 70°C
- Relative Luftfeuchtigkeit zwischen 20% und 90%
- Maximal für 2 Monate

Verwendung:

Die Klimanutzungsstufe ist auf dem Typenschild angegeben.

Nachfolgend finden Sie einen Auszug aus dem Referenzstandard, der die Bedeutung der alphanumerischen Zeichen erläutert:

Klimaklasse	Trockenkugeltemp.	Relative Luftfeuchtigkeit
[-]	[°C]	[%]
0	20	50
1	16	80
8	24	55
2	22	65
3	25	60
4	30	55
6	27	70
5	40	40
7	35	75

BEISPIEL Klimaklasse 3 bedeutet 25°C / 60%R.H.

Leistung



Die für den ordnungsgemäßen Betrieb des Geräts erforderlichen äußeren Umgebungsbedingungen sind auf dem Typenschild angegeben.

Die Leistung des Geräts kann bei einem anderen als dafür vorgesehenen Einsatz nicht gewährleistet werden.



Die Mindesttemperatur darf nicht unter 16°C liegen.

Modello - Modèle - Model Modell - Modelo - Modelo	ZENITH VP - REMOTE CLOSED	 epta refrigeration
Fabbricante - Constructeur - Manufacturer Hersteller - Fabricante - Fabricante	Epta Spa - Via Mecenate, 86 - 20138 Milano (MI) ITALIA Tel. 02/55403211 Telefax 02/55401023	4/27

User Manual

ÍNDICE

EN

IT

FR

DE

ES

PT

1. Introducción	5
2. Advertencias de seguridad	6
2.1 Advertencias generales	6
2.2 Advertencias para el mantenimiento del mueble	8
2.3 Advertencias eléctricas	8
2.4 Prohibiciones	9
3. Descripción general	10
3.1 Secciones	10
4. Transporte del mueble	13
5. Condiciones ambientales	15
6.1 Referencia de modelos / denominación	16
6. Características técnicas	16
7. Uso del mueble	17
8. Mantenimiento ordinario	19
8.1 Limpieza del mueble	19
9. Configuración de estantes	20
10. Instrucciones para el usuario	21
10.1 Descripción del mueble	21
10.2 Transporte y manipulación	21
10.3 Recepción y almacenamiento	21
10.4 Instalación y condiciones ambientales	22
10.5 Conexión eléctrica	22
10.6 Características técnicas	22
10.7 Carga del producto	22
10.8 Uso del mueble	23
10.9 Limpieza y mantenimiento de rutina	23
10.10 Situaciones de emergencia	24
10.11 Asistencia técnica	25
10.12 Desmantelamiento y eliminación	25
11. Advertencias generales adicionales	26

SÍMBOLOS UTILIZADOS



Símbolo de prohibición: se prohíbe realizar determinadas operaciones.



Símbolo de atención: normas de prevención de accidentes para el operador.



Símbolo de advertencia: posibilidad de dañar el mueble y/o sus componentes.



Símbolo de nota: proporciona información útil.

Modello - Modèle - Model Modell - Modelo - Modelo	ZENITH VP - REMOTE CLOSED	
Fabbricante - Constructeur - Manufacturer Hersteller - Fabricante - Fabricante	Epta Spa - Via Mecenate, 86 - 20138 Milano (MI) ITALIA Tel. 02/55403211 Telefax 02/55401023	5/27

1. INTRODUCCIÓN

Se recomienda leer atentamente el contenido de este manual y guardarlo junto con el mueble. El fabricante declina toda responsabilidad por los daños causados a las personas o a los bienes debido al incumplimiento de las advertencias contenidas en este manual.

Este manual de usuario se aplica a una familia de productos disponible en diferentes configuraciones y tamaños; el rendimiento y las especificaciones de cada modelo se complementan con la información proporcionada en la placa de características, la Declaración CE de Conformidad, así como con la etiqueta energética y la correspondiente ficha de información del producto EPREL.

El rendimiento de cada modelo individual puede variar en función de la configuración específica. La etiqueta energética y la ficha de información del producto también están disponibles en <https://eprel.eptarefrigeration.com> introduciendo el número de serie indicado en la placa de características.



Fig. 1

Este manual contiene la información que se considera necesaria para el buen uso y funcionamiento del mueble.

Contiene las siguientes descripciones e información:

- una descripción funcional del mueble y de cada una de sus partes
- información sobre la seguridad del mueble y las normas de prevención de accidentes que se deben respetar
- uso correcto del mueble
- un correcto mantenimiento rutinario y programado, incluidas las operaciones de limpieza

Información no contenida en este manual:

- Instrucciones de instalación

Para la correcta instalación del mueble, consultar los siguientes documentos:

- Manual técnico
- Instrucciones de referencia rápida

Este manual está dirigido a los siguientes profesionales:


- **OPERADOR CUALIFICADO:** persona cualificada, capacitada en el funcionamiento, ajuste, limpieza y mantenimiento de rutina del mueble
- **TÉCNICO ESPECIALIZADO:** técnico capacitado y autorizado por el organismo indicado en el contrato (fabricante/concesionario/distribuidor) para realizar la instalación, el mantenimiento extraordinario, la reparación, la sustitución y la revisión del mueble

Las instrucciones de uso también están disponibles en:

www.eptarefrigeration.com.

Consultar la declaración de conformidad para conocer las normas y certificaciones del mueble.

Conserve siempre el manual de instrucciones y en caso de venta.

Modello - Modèle - Model Modell - Modelo - Modelo	ZENITH VP - REMOTE CLOSED	 epta refrigeration
Fabbricante - Constructeur - Manufacturer Hersteller - Fabricante - Fabricante	Epta Spa - Via Mecenate, 86 - 20138 Milano (MI) ITALIA Tel. 02/55403211 Telefax 02/55401023	6/27

2. ADVERTENCIAS DE SEGURIDAD

2.1 Advertencias generales



La designación del aparato se indica en la página "16"



Advertencia de seguridad para sistemas que utilizan R744 (CO₂) transcrito. El evaporador del armario, situado aguas abajo de la válvula de expansión, está diseñado para funcionar en condiciones subcríticas.



El fabricante declina toda responsabilidad por los daños causados a las personas o a los bienes debido al incumplimiento de las advertencias contenidas en este manual. Toda persona que utilice el mueble debe leer este manual de uso.



El empresario debe instruir al personal sobre los riesgos de accidentes, los dispositivos previstos para la seguridad del personal, los riesgos de emisión de ruidos y las normas generales de prevención de accidentes previstas por la normativa vigente.



El uso del mueble para fines no técnicos, como por ejemplo la apertura de las puertas para retirar los productos expuestos, también puede ser realizado por niños de 8 años o más, o por personas con capacidades físicas, sensoriales o mentales reducidas, o sin experiencia y conocimientos, siempre que hayan sido debidamente supervisados o instruidos sobre el uso seguro del aparato y comprendan los riesgos asociados.

Los niños deben ser supervisados para que no jueguen con el aparato. La limpieza y el mantenimiento no deben ser realizados por niños sin supervisión.



Cualquier otro uso no indicado explícitamente en este manual debe considerarse peligroso y el fabricante no se hace responsable de los daños derivados de un uso inadecuado, incorrecto o no razonable.



El mueble debe ser utilizado por personal que dispone del equipo de protección personal adecuado.



El uso de guantes de trabajo es obligatorio.



No dejar el mueble expuesto a la intemperie.



No utilizar chorros de agua directos o indirectos sobre el mueble.




No tocar el mueble con las manos o los pies mojados o húmedos, no usarlo con los pies descalzos.



El desmontaje de los resguardos o paneles que requieran el uso de herramientas para retirarlos está reservado exclusivamente al personal cualificado.



El uso técnico del mostrador está restringido a personas autorizadas y formadas en las actividades; las actividades de uso técnico incluyen, por ejemplo, el encendido, los ajustes, la limpieza y el mantenimiento.

Modello - Modèle - Model Modell - Modelo - Modelo	ZENITH VP - REMOTE CLOSED	 epta refrigeration
Fabbricante - Constructeur - Manufacturer Hersteller - Fabricante - Fabricante	Epta Spa - Via Mecenate, 86 - 20138 Milano (MI) ITALIA Tel. 02/55403211 Telefax 02/55401023	7/27



Para la instalación de accesorios opcionales dedicados, contactar con el centro de asistencia autorizado más cercano.



La información sobre la carga máxima de cada tipo de estante se proporciona en la página "22".



Toda intervención debe ser realizada exclusivamente por personal cualificado.



Todas las operaciones de manipulación, transporte, montaje y desmontaje, durante la puesta fuera de servicio y durante la eliminación, deben ser realizadas exclusivamente por personal cualificado.



Todos los trabajos deben ser realizados únicamente por personal cualificado y, en cualquier caso, se debe desconectar la alimentación eléctrica del mueble antes de realizar cualquier operación.



Instruir a cualquier persona que utilice el mueble sobre la posición del interruptor seccionador.



El ajuste del termostato se le reserva al personal técnico de asistencia.



Prestar atención a las partes calientes o móviles marcadas con el símbolo correspondiente.



En caso de incendio, no utilizar agua para extinguir las llamas, sino sólo extintores de polvo seco.



No dañar el circuito refrigerante.



Evitar la presencia de fuegos o chispas en el interior del aparato.



Dejar libres las aberturas de ventilación de la carcasa del aparato y no obstruirlas.



No utilice aparatos eléctricos dentro de los compartimentos del aparato destinados a la conservación de alimentos frescos o congelados, salvo que sean del tipo recomendado por el fabricante.



No conservar en este mueble sustancias explosivas o peligrosas, como recipientes a presión con gas propelente inflamable.



No coloque recipientes para líquidos y no vierta líquidos sobre la encimera.



No apoyar objetos sobre la parte superior del mueble; es oportuno evitar que los productos no embalados se apoyen directamente sobre los estantes, sino que es preferible utilizar contenedores apropiados para alimentos.



Este aparato está diseñado para funcionar en la clase ambiental 3 o 4; la definición de la clase ambiental se indica en la página "27".

EN


IT

FR

DE

ES

PT

Modello - Modèle - Model Modell - Modelo - Modelo	ZENITH VP - REMOTE CLOSED	 epta refrigeration
Fabbricante - Constructeur - Manufacturer Hersteller - Fabricante - Fabricante	Epta Spa - Via Mecenate, 86 - 20138 Milano (MI) ITALIA Tel. 02/55403211 Telefax 02/55401023	8/27

EN

2.2 Advertencias para el mantenimiento del mueble



Las operaciones de mantenimiento deben ser realizadas únicamente por el personal autorizado.



El acceso a las partes eléctricas y/o a las partes que requieren el uso de herramientas está reservado a los técnicos especializados.



Antes de realizar cualquier operación de mantenimiento y limpieza reservada al usuario, desconectar la alimentación del mueble mediante el interruptor seccionador instalado en la pared.



Prestar atención a las partes calientes o móviles marcadas con el símbolo correspondiente.



El uso de guantes de trabajo es obligatorio.



Es importante respetar el tipo y la frecuencia de las inspecciones y del mantenimiento necesarios para un funcionamiento seguro, incluidas las medidas de mantenimiento preventivo, tal como se describe en el párrafo "Limpieza y mantenimiento de rutina" en la página "23".

IT

FR

DE

ES

PT

2.3 Advertencias eléctricas



Asegurarse de que la tensión de alimentación coincida con los datos de la placa de características del mueble.



La instalación eléctrica debe ser realizada por técnicos especializados.



El desmontaje de la tapa del cuadro eléctrico está reservado a los técnicos especializados.



De acuerdo con las normas de instalación, la red de alimentación debe incluir un dispositivo de desconexión onipolar que garantice la desconexión completa de la red en condiciones de categoría de sobretensión III.



La instalación del mueble debe realizarse siguiendo las instrucciones del fabricante, por personal profesionalmente cualificado y de conformidad con la normativa de instalación eléctrica vigente en cada país.




Una instalación incorrecta del mueble puede causar daños a personas, animales o bienes, de los que el fabricante no se hace responsable.




Si el cable de alimentación está dañado, debe ser sustituido por personal de servicio autorizado para evitar cualquier peligro. No intente reparar el cable.





No encienda el mueble si está dañado. En caso de duda, póngase en contacto con el servicio posventa o con su distribuidor.


Modello - Modèle - Model Modell - Modelo - Modelo	ZENITH VP - REMOTE CLOSED	 epta refrigeration
Fabbricante - Constructeur - Manufacturer Hersteller - Fabricante - Fabricante	Epta Spa - Via Mecenate, 86 - 20138 Milano (MI) ITALIA Tel. 02/55403211 Telefax 02/55401023	9/27


2.4 Prohibiciones


 Está prohibido utilizar dispositivos distintos a los suministrados en el mueble por el fabricante para acelerar el proceso de deshielo.


 Está prohibido que el personal no especializado retire la tapa del cuadro eléctrico o abra los paneles que requieran el uso de herramientas.


 Está prohibido utilizar el mueble para almacenar y/o exponer sustancias explosivas, inflamables o corrosivas, como aerosoles espray con gas propelente inflamable.


 Está prohibido utilizar el mueble para almacenar y/o exponer productos farmacéuticos.

 En el caso de PRODUCTOS SIN ENVASAR O ALMACENADOS A BAJA TEMPERATURA, está prohibido utilizar el mueble para el almacenamiento y/o exposición de botellas y envases de vidrio.

 Está prohibido colocar el mueble en locales con presencia de sustancias gaseosas explosivas.

 Está prohibido quitar la placa de identificación del mueble.

 Está prohibido subirse al mostrador o al parachoques del mostrador.

 Queda prohibida la sustitución de componentes y/o la modificación del mostrador fuera de las especificaciones del fabricante, así como la sustitución de piezas de recambio originales por otras piezas no homologadas por el fabricante, se pena de perder las condiciones de la garantía.

EN


IT

FR

DE

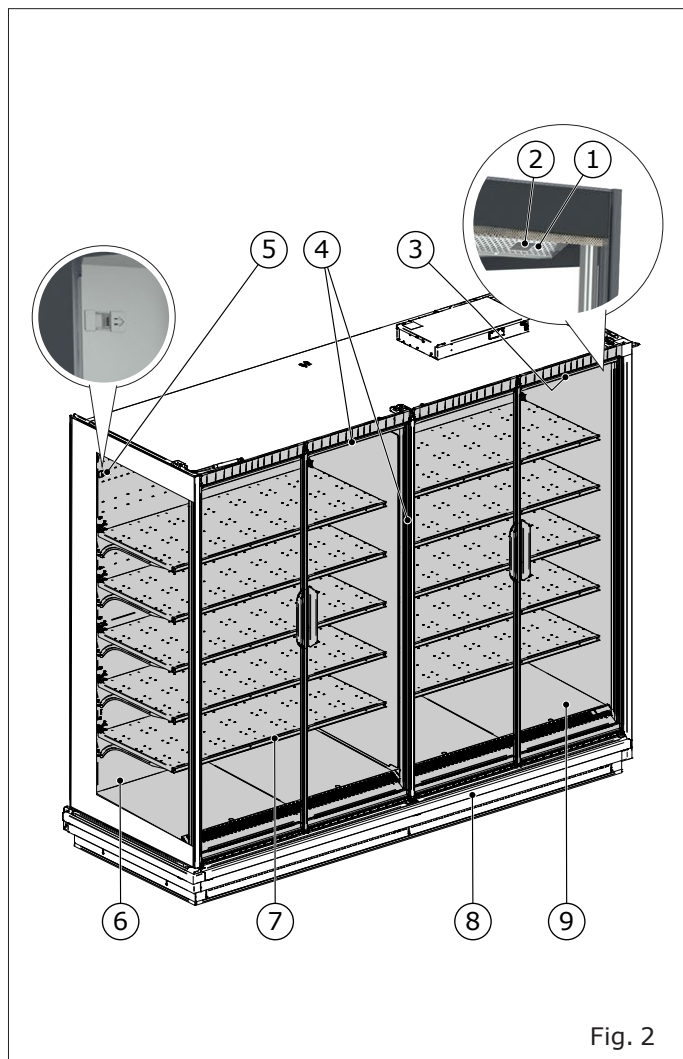
ES

PT

Modello - Modèle - Model Modell - Modelo - Modelo	ZENITH VP - REMOTE CLOSED	
Fabbricante - Constructeur - Manufacturer Hersteller - Fabricante - Fabricante	Epta Spa - Via Mecenate, 86 - 20138 Milano (MI) ITALIA Tel. 02/55403211 Telefax 02/55401023	10/27

3. DESCRIPCIÓN GENERAL

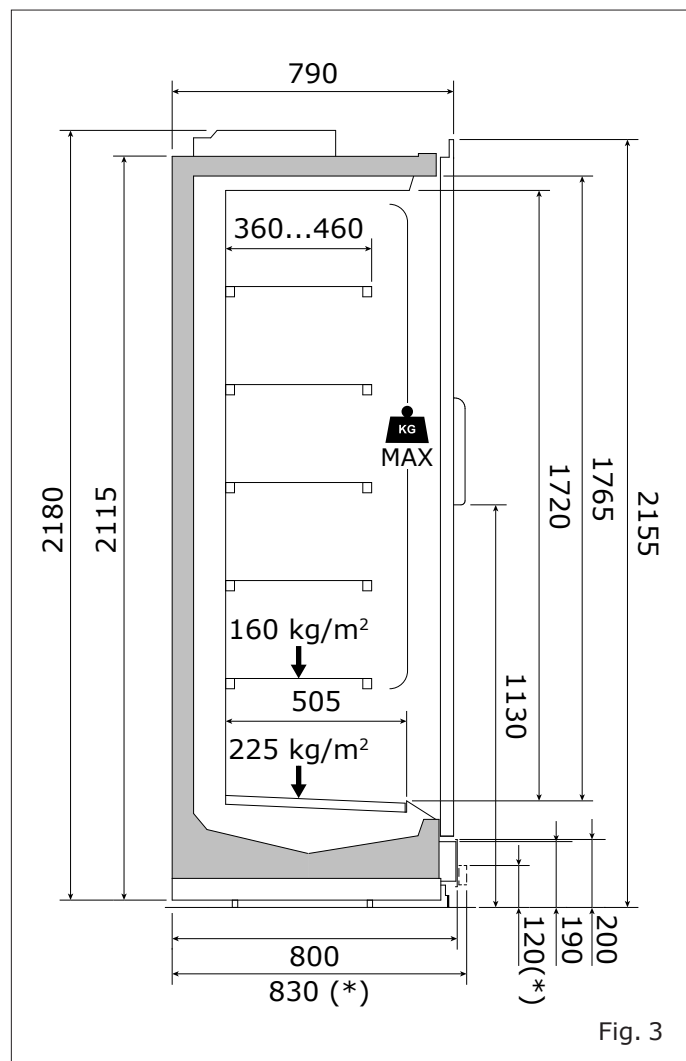
EN
IT
FR
DE
ES
PT




1. Interruptor luces
2. Display
3. Placa de datos
4. Iluminación
5. Bloqueo del panel trasero
6. Extremos laterales de vidrio
7. Estantes
8. Barandilla parachoques (opcional)
9. Tableros de fondo

3.1 Secciones

H2O SMALL



(*) opcional

Modello - Modèle - Model Modell - Modelo - Modelo	<h1>ZENITH VP - REMOTE CLOSED</h1>	 eptarefrigeration
Fabbricante - Constructeur - Manufacturer Hersteller - Fabricante - Fabricante	Epta Spa - Via Mecenate, 86 - 20138 Milano (MI) ITALIA Tel. 02/55403211 Telefax 02/55401023	12/27

User Manual

H22 MEDIUM

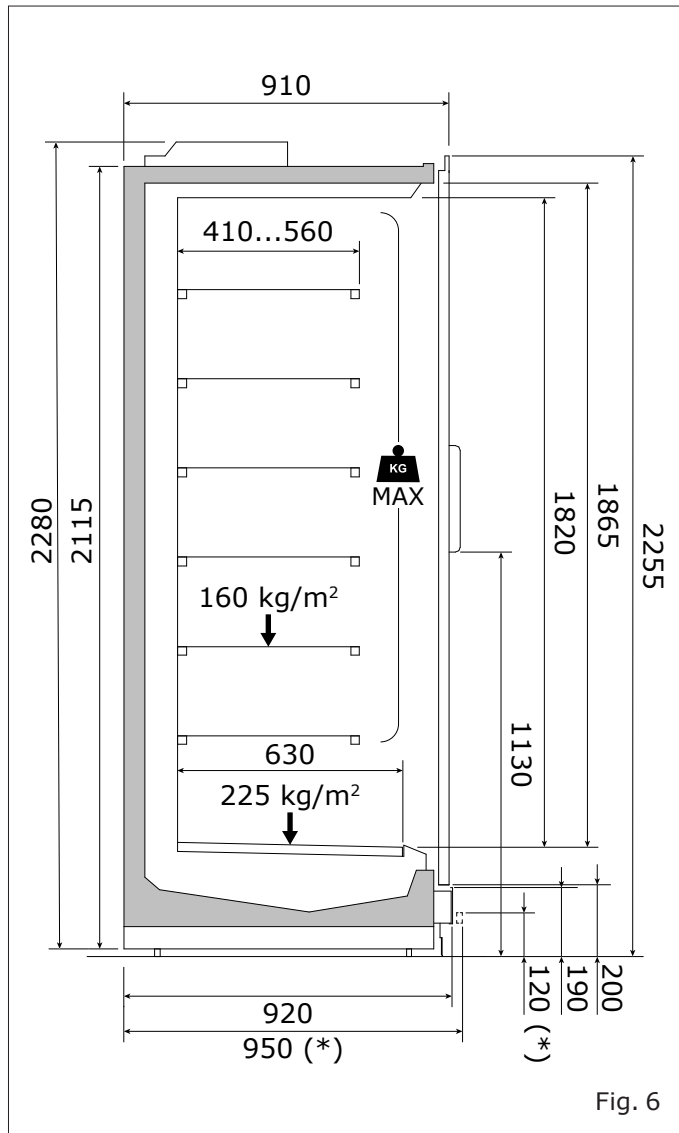

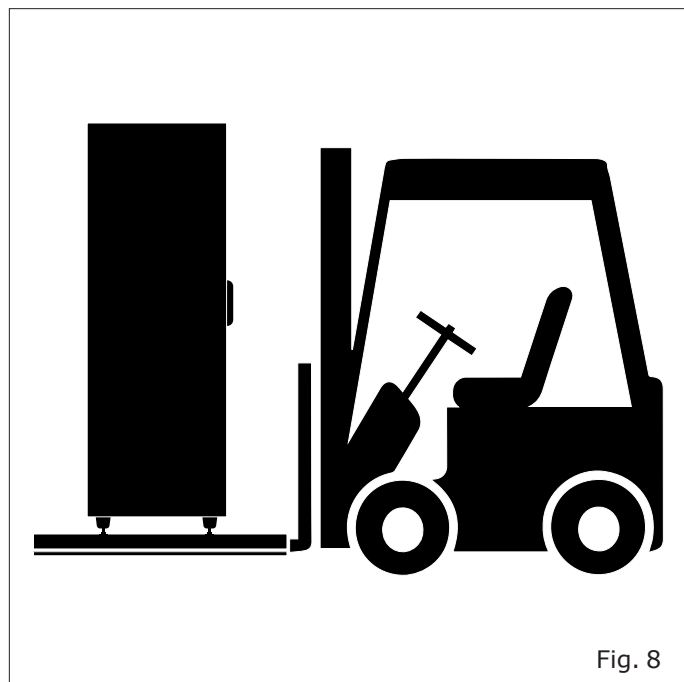
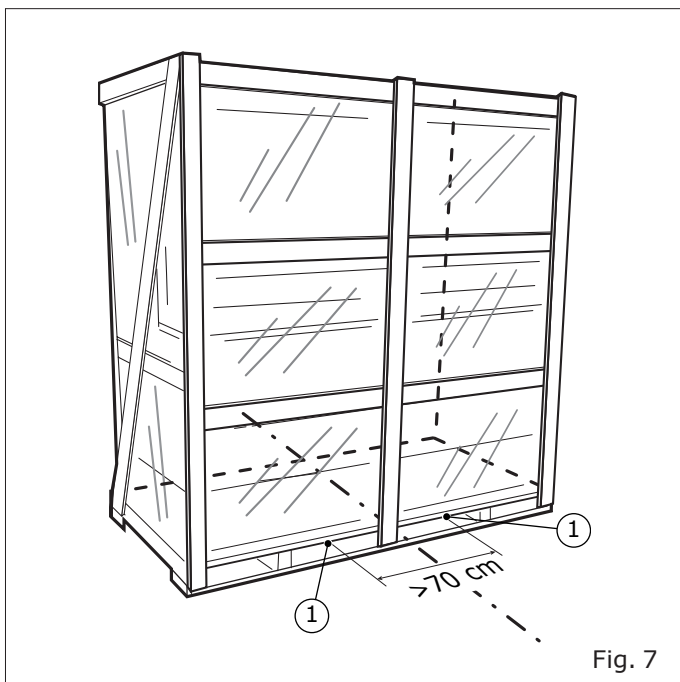


Fig. 6

(*) opcional

Modello - Modèle - Model Modell - Modelo - Modelo	ZENITH VP - REMOTE CLOSED	 epta refrigeration
Fabbricante - Constructeur - Manufacturer Hersteller - Fabricante - Fabricante	Epta Spa - Via Mecenate, 86 - 20138 Milano (MI) ITALIA Tel. 02/55403211 Telefax 02/55401023	13/27

4. TRANSPORTE DEL MUEBLE



1. Puntos de elevación

EN


IT

FR

DE

ES

PT


Modello - Modèle - Model Modell - Modelo - Modelo	ZENITH VP - REMOTE CLOSED	 epta refrigeration
Fabbricante - Constructeur - Manufacturer Hersteller - Fabricante - Fabricante	Epta Spa - Via Mecenate, 86 - 20138 Milano (MI) ITALIA Tel. 02/55403211 Telefax 02/55401023	14/27

User Manual

- EN
- IT
- FR
- DE
- ES**
- PT

Tabla I

Altura	Profundidad	Longitud	Peso (kg)	Peso con embalaje (kg)
2100	SMALL	1250	210	230
		1875	275	305
		2500	435	500
		3750	650	810
	MEDIUM	1250	230	250
		1875	300	330
		2500	470	500
		3750	720	760
		EOL 133	225	250
		EOL 184	450	500
		EOL 194	490	550
	LARGE	1250	250	270
		1875	325	355
		2500	505	535
3750		770	810	
EOL 219		590	660	
2200	LARGE	1250	270	290
		1875	355	385
		2500	535	565
		3750	810	850

Modello - Modèle - Model Modell - Modelo - Modelo	ZENITH VP - REMOTE CLOSED	 epta refrigeration
Fabbricante - Constructeur - Manufacturer Hersteller - Fabricante - Fabricante	Epta Spa - Via Mecenate, 86 - 20138 Milano (MI) ITALIA Tel. 02/55403211 Telefax 02/55401023	15/27

5. CONDICIONES AMBIENTALES

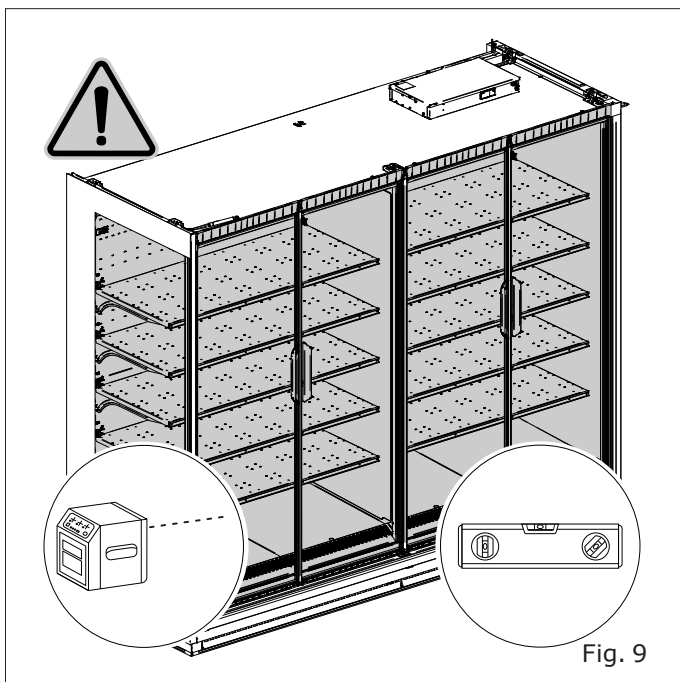
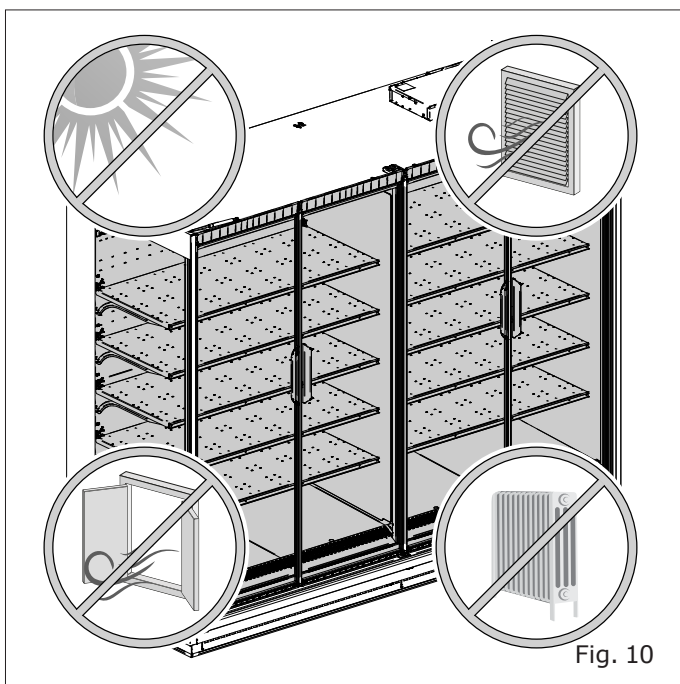



Tabla II

Características	
Tipo de local	Cerrado
Temperatura	25°C
Humedad relativa	60 %
Iluminación	600 lx



Modello - Modèle - Model Modell - Modelo - Modelo	ZENITH VP - REMOTE CLOSED	
Fabbricante - Constructeur - Manufacturer Hersteller - Fabricante - Fabricante	Epta Spa - Via Mecenate, 86 - 20138 Milano (MI) ITALIA Tel. 02/55403211 Telefax 02/55401023	16/27

User Manual

6. CARACTERISTICAS TÉCNICAS



 <p>Epta S.p.A. Via Mecenate, 86 20138 Milano - Italy</p>		<p>12</p>	
<p>1</p>		<p>2</p>	
<p>3</p>		<p>4</p>	
<p>5</p>		<p>6</p>	
<p>7</p>		<p>8</p>	
<p>9</p>		<p>10</p>	
<p>11</p>		<p>12</p>	
<p>13</p>		<p>14</p>	
<p>15</p>		<p>16</p>	
<p>17</p>		<p>18</p>	
<p>19</p>		<p>20</p>	
<p>21</p>		<p>22</p>	
<p>23</p>		<p>24</p>	
<p>Read Operator's Manual available at www.eptarefrigeration.com or calling: +39 0437 968379</p>			

Fig. 11

- | | |
|----------------------------------|-----------------------------|
| 1. Origen del producto | 14. Fecha de producción |
| 2. Fabricado en «País de origen» | 15. Código Hat |
| 3. Tensión nominal | 16. Modelo/denominación |
| 4. Potencia nominal | 17. Tipo de refrigerante 1 |
| 5. Frecuencia nominal | 18. Masa refrigerante 1 |
| 6. Corriente nominal | 19. Tipo de refrigerante 2 |
| 7. Potencia de deshielo | 20. Masa refrigerante 2 |
| 8. Corriente de deshielo | 21. Clase climática |
| 9. Sistema de calentamiento | 22. Aislamiento gas |
| 10. Sistema de iluminación | 23. Índice de protección |
| 11. Manual del operador | 24. Marcas de certificación |
| 12. Código de barras | |
| 13. Número de serie | |


6.1 Referencia de modelos / denominación

La tabla explica cómo leer el código de modelo, indicando la información comercial relevante para cada parte de la referencia (véase el campo de la etiqueta número: "16").

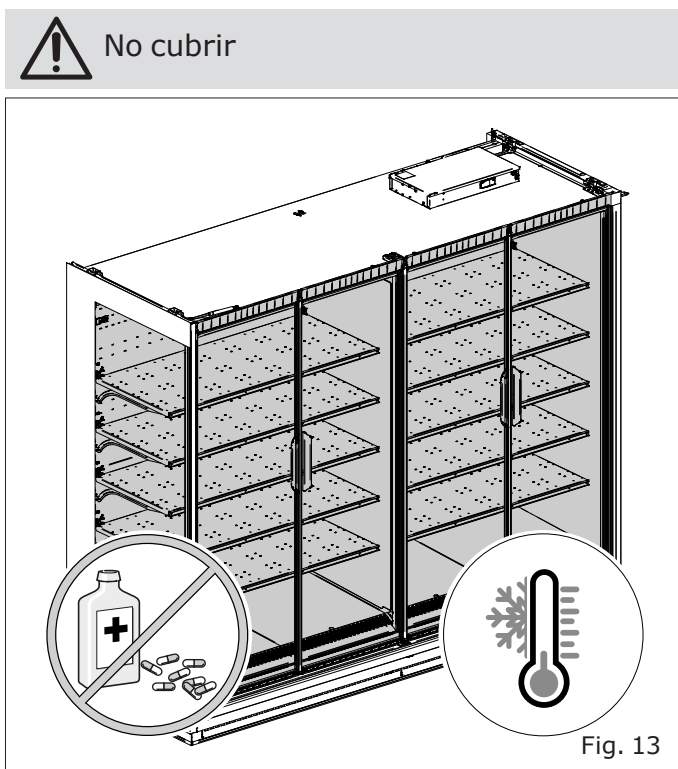
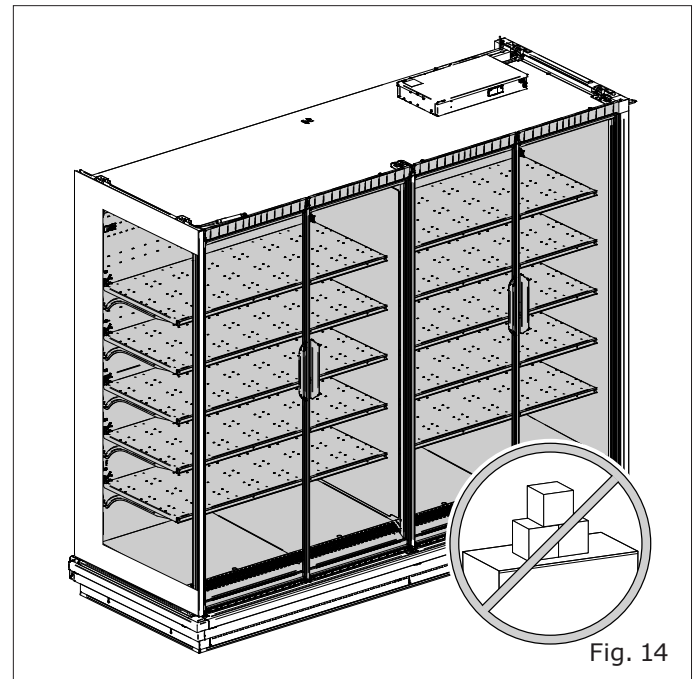
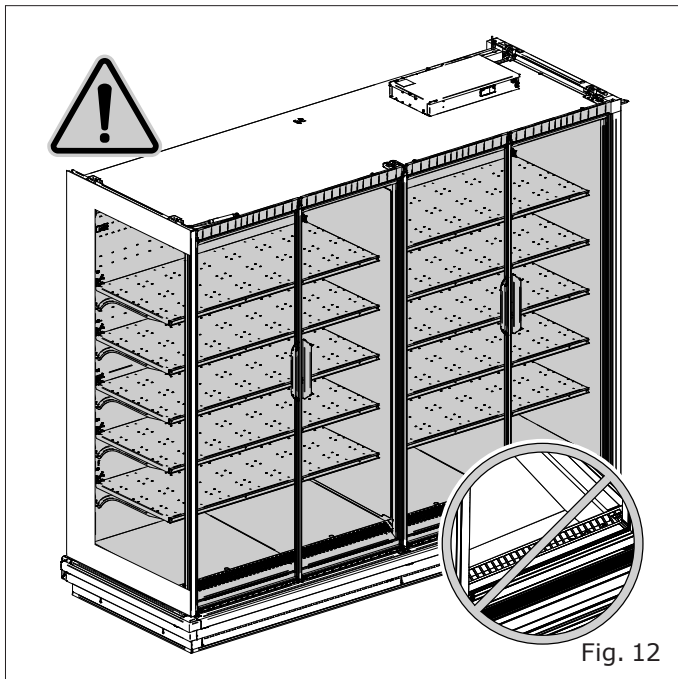
AL1aCbb (Mueble refrigerado)

Referencia / denominación	Descripción	Información comercial
AL1	Nombre	Zenith VP
a	Profundidad	S (SMALL), M (MEDIUM), L (LARGE)
C	Tipología	C (Cerrado)
bb	Longitud	12, 18, 25, 37, T1, T3, T4, T5

ejemplo: AL1MC37 - Zenith VP MEDIUM CLOSED 375

Modello - Modèle - Model Modell - Modelo - Modelo	<h1>ZENITH VP - REMOTE CLOSED</h1>	
Fabbricante - Constructeur - Manufacturer Hersteller - Fabricante - Fabricante	Epta Spa - Via Mecenate, 86 - 20138 Milano (MI) ITALIA Tel. 02/55403211 Telefax 02/55401023	17/27

7. USO DEL MUEBLE

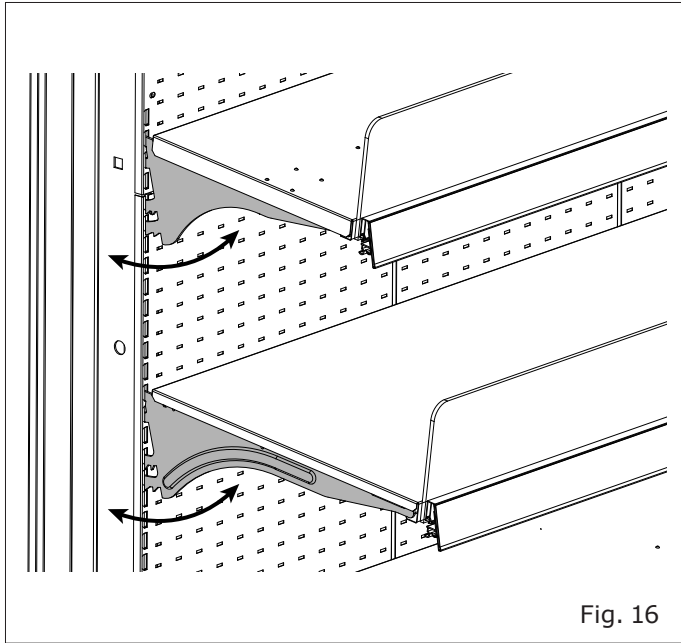


2. Visualiz. de temperatura

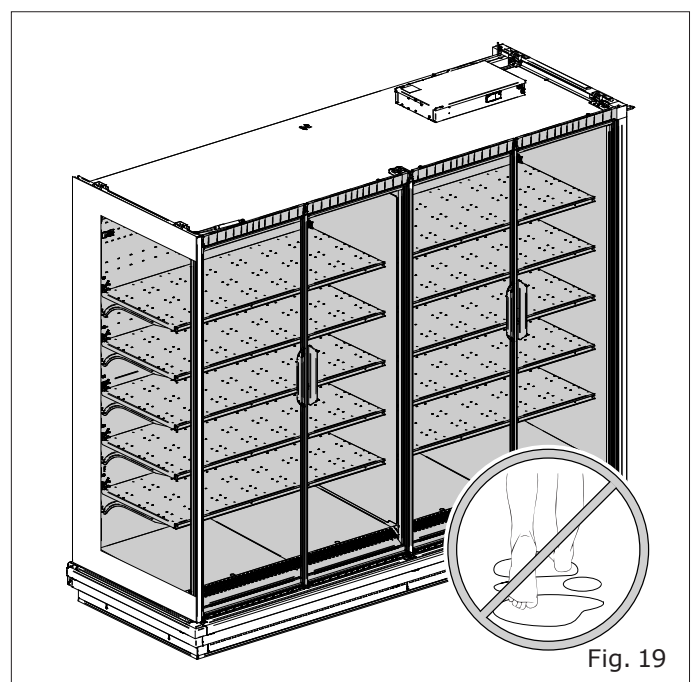
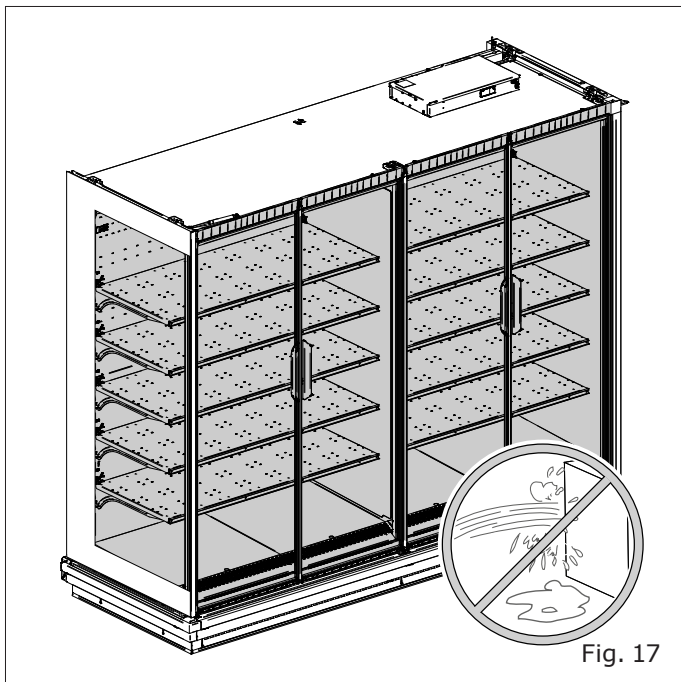
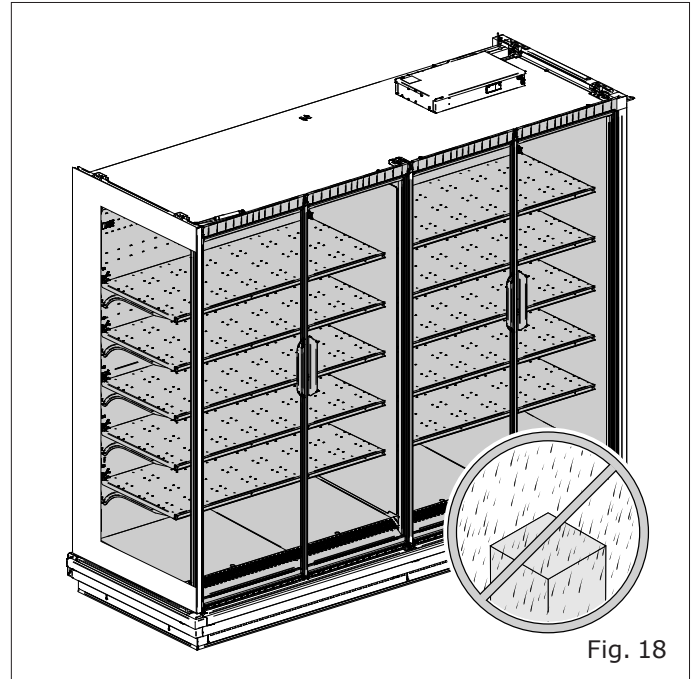
Modello - Modèle - Model Modell - Modelo - Modelo	<h1>ZENITH VP - REMOTE CLOSED</h1>	
Fabbricante - Constructeur - Manufacturer Hersteller - Fabricante - Fabricante	Epta Spa - Via Mecenate, 86 - 20138 Milano (MI) ITALIA Tel. 02/55403211 Telefax 02/55401023	18/27

User Manual

- EN
- IT
- FR
- DE
- ES
- PT



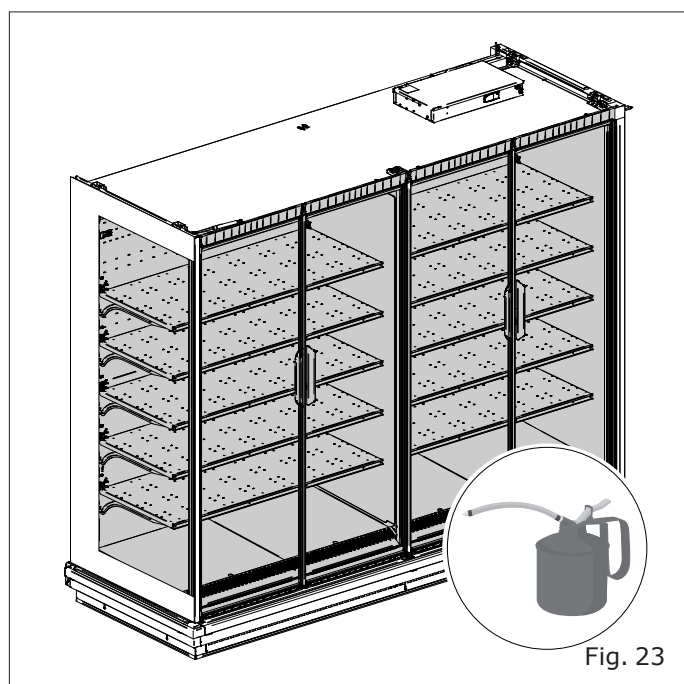
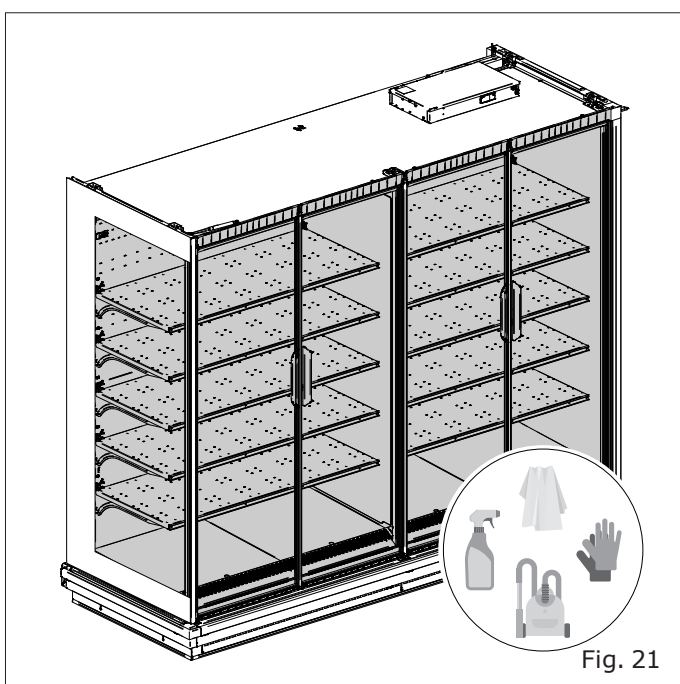
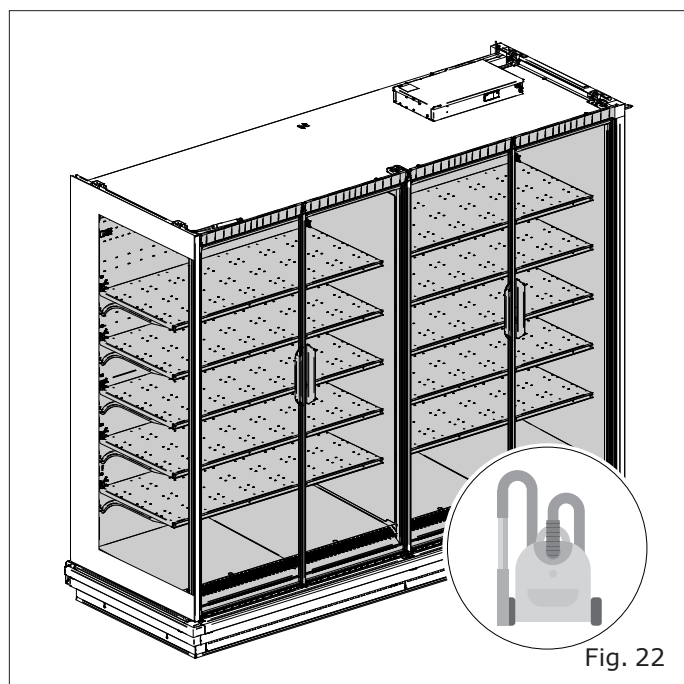
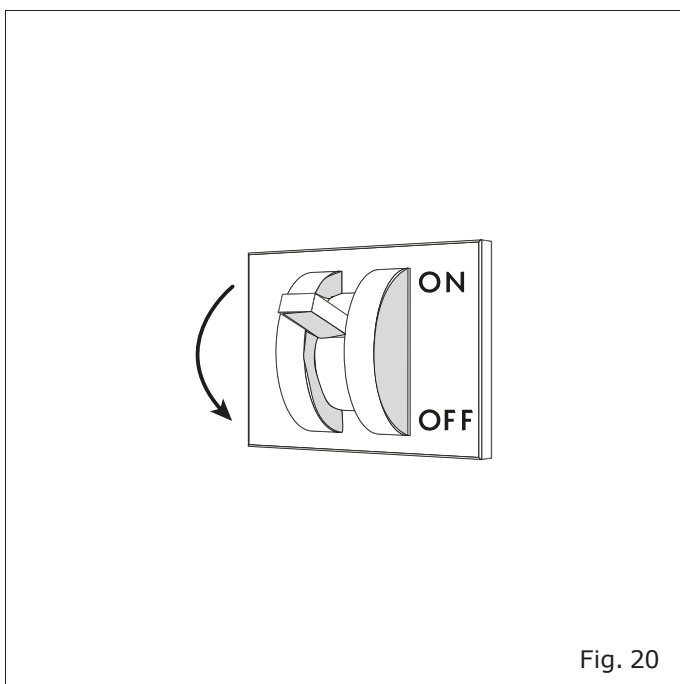
Inclinación de los estantes: 0° - 7° - 14° - 21°



Modello - Modèle - Model Modell - Modelo - Modelo	<h1>ZENITH VP - REMOTE CLOSED</h1>	
Fabbricante - Constructeur - Manufacturer Hersteller - Fabricante - Fabricante	Epta Spa - Via Mecenate, 86 - 20138 Milano (MI) ITALIA Tel. 02/55403211 Telefax 02/55401023	19/27

8. MANTENIMIENTO ORDINARIO

8.1 Limpieza del mueble



EN

IT

FR

DE

ES

PT

Modello - Modèle - Model Modell - Modelo - Modelo	ZENITH VP - REMOTE CLOSED	 epta refrigeration
Fabbricante - Constructeur - Manufacturer Hersteller - Fabricante - Fabricante	Epta Spa - Via Mecenate, 86 - 20138 Milano (MI) ITALIA Tel. 02/55403211 Telefax 02/55401023	20/27

9. CONFIGURACIÓN DE ESTANTES

H20

Nivel	SMALL	MEDIUM	LARGE
Mínimo 1 nivel	Todos los niveles en 360 mm o Todos los niveles en 410 mm o Todos los niveles en 460 mm o Combinación en orden de arriba hacia abajo: 360 - 410 - 460 mm	Todos los niveles a 410 mm o Todos los niveles a 460 mm o Todos los niveles a 510 mm o Todos los niveles a 560 mm o Combinación en orden de arriba hacia abajo: 410 - 460 - 510 - 560 - 560 mm	Todos los niveles en 510 mm o Todos los niveles en 560 mm o Todos los niveles en 610 mm o Combinación en orden de arriba hacia abajo: 510 - 560 - 610 mm
2 niveles			
3 niveles			
4 niveles			
5 niveles			
6 niveles			
Máximo 7 niveles	7 niveles solo en la versión sin iluminación o sin espejo interno		

H22

Nivel	MEDIUM
Mínimo 1 nivel	Todos los niveles a 410 mm o Todos los niveles a 460 mm o Todos los niveles a 510 mm o Todos los niveles a 560 mm o Combinación en orden de arriba hacia abajo: 410 - 460 - 510 - 560 - 560 mm
2 niveles	
3 niveles	
4 niveles	
5 niveles	
6 niveles	
Máximo 7 niveles	7 niveles solo en la versión sin iluminación o sin espejo interno

Modello - Modèle - Model Modell - Modelo - Modelo	ZENITH VP - REMOTE CLOSED	
Fabbricante - Constructeur - Manufacturer Hersteller - Fabricante - Fabricante	Epta Spa - Via Mecenate, 86 - 20138 Milano (MI) ITALIA Tel. 02/55403211 Telefax 02/55401023	21/27

10. INSTRUCCIONES PARA EL USUARIO

10.1 Descripción del mueble

El mueble ha sido proyectado y producido exclusivamente para la exposición de alimentos frescos empaquetados, bebidas y productos lácteos.

CLASE DE TEMPERATURA (según EN ISO 23953-2): 4M1 (*), 3M1, 3M0.

(*) Solo en la configuración ADVANCE+

Las características generales y las dimensiones se ilustran en las figuras y secciones contenidas en la "Descripción general" (de pág. "10" a pág. "12").

Los ajustes de temperatura recomendados para cada compartimento, para una conservación óptima de los alimentos, se indican en la ficha de información del producto disponible en EPREL o accediendo al sitio web <https://eprel.eptarefrigeration.com> y siguiendo las instrucciones proporcionadas para el acceso a la base de datos.

Durante las operaciones de transporte y manipulación, recepción y almacenamiento, instalación, carga, uso, limpieza y mantenimiento, y desmontaje, tener en cuenta el riesgo de vuelco del mueble ("Fig. 24").

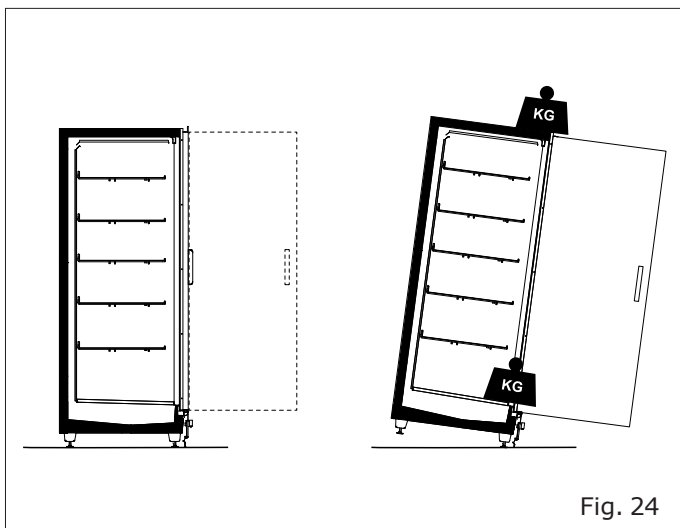


Fig. 24

10.2 Transporte y manipulación

El mueble está contenido en un embalaje especial equipado con una plataforma para su manipulación con carretillas elevadoras.

Para transportar y manipular el mueble utilizar:

- Sólo una plataforma adecuada o equivalente
- Una carretilla elevadora manual o eléctrica adecuada para la elevación del mueble, con las características apropiadas de acuerdo con las normas vigentes

El peso del mueble (vacío y con embalaje) y las dimensiones del embalaje se indican en "Transporte del mueble" (tabla "Tabla I" a pág. "14").

Las operaciones de manipulación deben ser realizadas por personal cualificado, capaz de evaluar los pesos, los puntos de elevación y los medios más adecuados, desde el punto de vista de la seguridad y la capacidad.

10.3 Recepción y almacenamiento


Comprobar el estado del embalaje antes de retirar el mueble del transportista.

Si hay daños evidentes en el embalaje:

- Retirar el embalaje del mueble en presencia del transportista.
- Firmar el documento de entrega con reserva

El fabricante no se hace responsable de los daños causados por el transporte o del almacenamiento inadecuado del mueble.

El mueble debe almacenarse en un lugar protegido del sol y de la intemperie, con una temperatura entre -25°C y $+55^{\circ}\text{C}$ y una humedad relativa del aire comprendida entre 30% y 95%.

Modello - Modèle - Model Modell - Modelo - Modelo	ZENITH VP - REMOTE CLOSED	
Fabbricante - Constructeur - Manufacturer Hersteller - Fabricante - Fabricante	Epta Spa - Via Mecenate, 86 - 20138 Milano (MI) ITALIA Tel. 02/55403211 Telefax 02/55401023	22/27

10.4 Instalación y condiciones ambientales

El mueble no está diseñado para ser instalado en el exterior.

Para un buen funcionamiento del mueble, comprobar que esté colocado:

- Sobre un suelo nivelado ("Fig. 9").
- Lejos de fuentes de calor, luz solar directa, puertas, ventanas, ventiladores y rejillas de ventilación ("Fig. 10").

Asegurarse de que haya suficiente espacio para que los clientes utilicen el mueble. Las condiciones del entorno en el que se va a colocar el mueble se indican en: "Condiciones ambientales" (tabla "Tabla II", Pag."15").

10.5 Conexión eléctrica

Debe instalarse un interruptor seccionador omnipolar antes del mueble. Debe tener poder de interrupción adecuado.

- Distancia mínima de los contactos de 3 mm
- Poder de interrupción adecuado

El interruptor seccionador debe estar situado aguas arriba del mostrador y debe ser visible para el operario durante las fases de limpieza y mantenimiento, o estar provisto de un seccionador de aislamiento.

Antes de conectar el mueble, asegurarse de que la tensión de alimentación sea la indicada en los datos de la placa de características del mueble. Para garantizar un funcionamiento óptimo, la variación máxima de la tensión debe estar comprendida entre +/- 6% del valor nominal.

10.6 Características técnicas

La placa del número de serie contiene las especificaciones técnicas del gabinete. La posición se indica en ("Fig. 2") y el tipo de datos se informan en: "Características técnicas" ("Fig. 11").

Los diagramas eléctricos, las listas de calibración de los instrumentos de control, las instrucciones de instalación y una copia de la Declaración de Conformidad están disponibles en el sitio <https://documents.eptarefrigeration.com>.

El nivel de presión sonora generado por el funcionamiento del mueble es inferior a 70 dB(A). El mueble no provoca vibraciones perjudiciales.

10.7 Carga del producto

Dar tensión al mueble para iniciar su ciclo de enfriamiento, utilizando el interruptor seccionador general instalado en la pared. Después de unas 2 horas se puede cargar el mueble.

El mueble está diseñado para mantener la temperatura de la mercancía y no para bajarla; por lo tanto, los alimentos deben colocarse en el mueble solo si ya están enfriados a sus respectivas temperaturas de almacenamiento. Los productos que se han calentado nunca deben colocarse en el mueble.

Si el mueble tiene vidrios en la parte delantera, es aconsejable cargar la mercancía cuando no haya clientes en el espacio de venta.

Al cargar las mercancías, asegurarse de que:

- La carga sea homogénea en cuanto a tamaño y calidad de las mercancías.
- La mercancía no obstruya el correcto flujo de aire refrigerado ("Fig. 12")
- La mercancía no sobrepase la línea de carga.

La carga máxima admisible esté distribuida uniformemente:

- En el plano de fondo: 225 kg/m²
- En los estantes: 160 kg/m²
- Del total de estantes: MAX 480 kg/m²

Modello - Modèle - Model Modell - Modelo - Modelo	ZENITH VP - REMOTE CLOSED	
Fabbricante - Constructeur - Manufacturer Hersteller - Fabricante - Fabricante	Epta Spa - Via Mecenate, 86 - 20138 Milano (MI) ITALIA Tel. 02/55403211 Telefax 02/55401023	23/27

10.8 Uso del mueble



Para un mejor funcionamiento del mostrador se recomienda que las puertas no queden abiertas.

Iluminación

La iluminación del mueble se controla mediante un interruptor integrado en la rejilla superior derecha del mueble. ("Fig. 2").

Display

Un visor de temperatura está situado en la parte superior derecha del mueble para el control de la temperatura. ("Fig. 15").

El visor de temperatura muestra la temperatura actual en el interior del compartimento y permite el ajuste de la temperatura mediante los botones correspondientes.

Configuración e inclinación de los estantes de exhibición.

Para garantizar las prestaciones correctas para las cuales el mueble ha sido proyectado, la disposición de los estantes dentro del mueble debe respetar la configuración que abajo se describe (tabla en la página "20").

Se pueden inclinar en 4 diferentes ángulos, simple mente cambiando la posición de enganche de los soportes de los estantes con los montantes traseros del mueble. ("Fig. 16").

10.9 Limpieza y mantenimiento de rutina

Se recomienda mantener una buena visibilidad en la zona de intervención, usando una fuente de iluminación adicional si fuera necesario.

Limpieza del mueble

Utilizar únicamente agua a una temperatura máxima de 65°C y jabón o detergente doméstico neutro diluido en agua.

Para superficies acristaladas utilizar sólo productos de limpieza de vidrios. Se recomienda evitar el uso de agua, ya que puede depositar sedimentos calcáreos sobre la superficie del vidrio.

Por ningún motivo usar:

- Esponjas abrasivas
- Productos inflamables o abrasivos como alcohol, acetona o disolventes
- Detergentes con tensioactivos no iónicos, limón o vinagre (ácido acético)




No lavar ni limpiar la parte superior del mueble con agua o líquidos.

Limpiar **UNA VEZ POR SEMANA** todas las partes externas del mueble.

Limpiar **UNA VEZ POR MES** todas las partes internas del mueble, siguiendo las instrucciones siguientes:

- Desconectar la alimentación eléctrica del mueble mediante el interruptor seccionador general instalado en la pared ("Fig. 20").
- Vaciar el mueble, almacenando la mercancía en cámaras o refrigeradores adecuados para mantener la temperatura de almacenamiento.
- Esperar a que el interior del mueble haya alcanzado la temperatura ambiente y proceder a la limpieza
- Después de comprobar cuidadosamente que el interior del mueble esté completamente seco, ponerlo en función otra vez volviéndolo a conectar.
- Después de un par de horas cargar la mercancía de nuevo.

Modello - Modèle - Model Modell - Modelo - Modelo	ZENITH VP - REMOTE CLOSED	 epta refrigeration
Fabbricante - Constructeur - Manufacturer Hersteller - Fabricante - Fabricante	Epta Spa - Via Mecenate, 86 - 20138 Milano (MI) ITALIA Tel. 02/55403211 Telefax 02/55401023	24/27

EN
IT
FR
DE
ES
PT

Cuando se pone el mueble fuera de servicio, desconectar la alimentación y realizar las operaciones anteriores, dejando las puertas abiertas (Si alguna) para evitar olores desagradables.

CADA TRES MESES descongelar el mueble para permitir que se derrita el hielo que pueda haberse formado en las aletas del evaporador, impidiendo su correcto funcionamiento. La duración y el número de deshielos se regulan directamente en fábrica. Cualquier ajuste está reservado exclusivamente al servicio técnico de asistencia. El agua de deshielo es recogida por un desagüe especial. Comprobar periódicamente que el agua de deshielo fluya con normalidad. Si así no fuera, utilizar una sonda flexible no puntiaguda. Proceder como se indica para la limpieza **MENSUAL** de las partes internas, pero en este caso debe prever un tiempo de espera mayor para que el hielo se derrita completamente.

10.10 Situaciones de emergencia

El mueble no arranca o se detiene:


- Comprobar que no haya una situación de apagón eléctrico.
- Controlar que el interruptor general de pared esté encendido.
- Controlar que el enchufe del mueble esté conectado a la toma de corriente.

Si el fallo de la alimentación eléctrica no depende de estos motivos, contactar con el centro de asistencia autorizado más cercano, vaciar completamente el mueble sacando los productos y almacenarlos de inmediato en las cámaras o refrigeradores idóneos a mantener la temperatura de conservación.

El mueble no enfría lo suficiente:

- Controlar que la carga del mueble sea correcta.
- Descongelar el mueble y reanudar el funcionamiento normal, si se han superado los tres meses de la última operación.
- Controlar que el mueble no esté colocado cerca de fuentes de calor o corrientes de aire.
- Comprobar las condiciones ambientales indicadas en "Condiciones ambientales" ("Tabla II", Pag."15").
- Utilizar un nivel de burbuja para comprobar la planaridad del mueble.

Si la falta de refrigeración persiste, contactar con el centro de asistencia autorizado más cercano.

Modello - Modèle - Model Modell - Modelo - Modelo	ZENITH VP - REMOTE CLOSED	 epta refrigeration
Fabbricante - Constructeur - Manufacturer Hersteller - Fabricante - Fabricante	Epta Spa - Via Mecenate, 86 - 20138 Milano (MI) ITALIA Tel. 02/55403211 Telefax 02/55401023	25/27

El mueble es ruidoso:

- Controlar que los tornillos y pernos estén perfectamente apretados.
- Utilizar un nivel de burbuja para comprobar la planaridad del mueble.

Si el problema persiste, contactar con el centro de asistencia autorizado más cercano.

10.11 Asistencia técnica

Si fuera necesaria la intervención del personal de asistencia técnica, contactar inmediatamente con el proveedor al que compró el mueble. Si es necesario utilizar piezas de recambio, dirigirse siempre al servicio técnico de asistencia: solicitar y comprobar que se utilicen piezas de recambio originales.

10.12 Desmantelamiento y eliminación

De acuerdo con las normas de eliminación de los residuos vigentes en cada país y por respeto al medio ambiente en el que vivimos, es importante separar las piezas del mueble para que puedan ser eliminadas por separado o, en su caso, recuperadas adecuadamente. Todas las partes que componen el mueble no pueden tratarse como residuos urbanos, excepto las partes metálicas, que no están clasificadas como residuos especiales en la mayoría de los países europeos.



El sistema de refrigeración es de alta presión. Contactar con personal experto antes del desguace.

Los componentes del circuito de refrigeración no deben cortarse y/o separarse antes de vaciar el circuito. El personal cualificado debe recuperar el gas refrigerante.

EN


IT

FR

DE

ES

PT

Modello - Modèle - Model Modell - Modelo - Modelo	ZENITH VP - REMOTE CLOSED	 epta refrigeration
Fabbricante - Constructeur - Manufacturer Hersteller - Fabricante - Fabricante	Epta Spa - Via Mecenate, 86 - 20138 Milano (MI) ITALIA Tel. 02/55403211 Telefax 02/55401023	26/27

11. ADVERTENCIAS GENERALES ADICIONALES

Instrucciones para una correcta instalación y mantenimiento

Las instrucciones de uso y mantenimiento se describen en el Manual del Usuario disponible en el sitio:

www.eptarefrigeration.com.

Las instrucciones de instalación dedicadas al personal experto están disponibles:

- En la red de asistencia
- En algunas categorías de producto, impresas en papel y entregadas con el producto

Información del producto

La información del producto (EPREL) está disponible accediendo al sitio web <https://eprel.eptarefrigeration.com> y siguiendo las instrucciones indicadas para acceder a la base de datos.

Garantía

De acuerdo con la ley, el producto está garantizado durante un período de 12 meses, a menos que las partes acuerden explícitamente lo contrario.

Servicios profesionales de reparación

Los servicios son prestados por nuestra red de asistencia que puede ser consultada en el área de contactos en la dirección web www.eptarefrigeration.com.

Piezas de recambio

Las piezas de recambio y la información sobre las reparaciones de los aparatos están disponibles durante al menos 8 años después de que el producto haya sido descatalogado en la siguiente dirección web: www.epta-service.com/service.

Las credenciales de acceso se facilitan previa solicitud que se enviará por correo electrónico a:
servicesupport@eptarefrigeration.com.

Información importante sobre el desperdicio de alimentos

Se recomienda respetar atentamente las instrucciones de almacenamiento descritas en los envases de los productos y las instrucciones proporcionadas por los fabricantes de alimentos.

Por lo tanto, las configuraciones de temperatura deben adaptarse a las características de conservación de los productos alimenticios de acuerdo con las indicaciones que figuran en nuestra documentación técnica.

Un uso inadecuado puede provocar su deterioro.

Condiciones ambientales

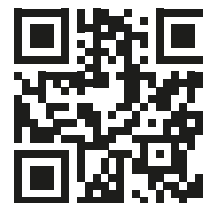
Este aparato está destinado a ser utilizado en entornos en los que la temperatura y la humedad respetan los límites especificados en el Manual de uso y mantenimiento.

Instrucciones de desmontaje


Para el desmontaje es necesario dirigirse a operadores profesionales.

El grupo Epta, que siempre ha prestado una especial atención al medio ambiente, pone a disposición de los usuarios los manuales de desmantelamiento y tratamiento de residuos que pueden descargarse a continuación.

- Acceder al sitio www.bonnetneve.com



- Acceda a la sección **área técnica** del gabinete.

Modello - Modèle - Model Modell - Modelo - Modelo	ZENITH VP - REMOTE CLOSED	
Fabbricante - Constructeur - Manufacturer Hersteller - Fabricante - Fabricante	Epta Spa - Via Mecenate, 86 - 20138 Milano (MI) ITALIA Tel. 02/55403211 Telefax 02/55401023	27/27

Más información

Para obtener información más detallada, consultar www.eptarefrigeration.com y EPREL, a los que puede acceder mediante el código QR aquí o en la etiqueta energética del producto.



Límites de aplicación



Este mueble está diseñado para su uso, transporte y almacenamiento hasta una altitud máxima de 2000 m sobre el nivel del mar.

Almacenamiento:

- Temperatura entre 15°C y 50°C
- Humedad relativa entre 20% y 90%
- Tiempo máximo 6 meses

Transporte:

- Temperatura entre 20°C y 70°C
- Humedad relativa entre 20% y 90%
- Tiempo máximo 2 meses

Uso

La clase climática de utilización se muestra en la placa de características.

A continuación se muestra un extracto de la norma de referencia, que aclara el significado de los caracteres alfanuméricos:

Clase climática	Temperatura de bulbo seco	Humedad relativa
[-]	[°C]	[%]
0	20	50
1	16	80
8	24	55
2	22	65
3	25	60
4	30	55
6	27	70
5	40	40
7	35	75

EJEMPLO La clase climática 3 significa 25°C / 60%R.H.

Prestaciones



Las condiciones ambientales externas necesarias para el correcto funcionamiento del mueble están indicadas en la placa de características.

Las prestaciones del mueble no están garantizadas fuera de su uso normal.



La temperatura mínima no debe ser inferior a 16°C.

Modello - Modèle - Model Modell - Modelo - Modelo	ZENITH VP - REMOTE CLOSED	 epta refrigeration
Fabbricante - Constructeur - Manufacturer Hersteller - Fabricante - Fabricante	Epta Spa - Via Mecenate, 86 - 20138 Milano (MI) ITALIA Tel. 02/55403211 Telefax 02/55401023	4/27

User Manual

ÍNDICE

EN

IT

FR

DE

ES

PT

1.	Introdução	5
2.	Advertências de segurança	6
2.1	Advertências gerais	6
2.2	Advertências para a Manutenção do balcão	8
2.3	Advertências elétricas	8
2.4	Proibições	9
3.	Descrição geral	10
3.1	Seções	10
4.	Transporte do balcão	13
5.	Condições ambientais	15
6.1	Referência dos modelos / designação	16
6.	Características técnicas	16
7.	Utilização do balcão	17
8.	Manutenção ordinária	19
8.1	Limpeza do balcão	19
9.	Configuração de prateleiras	20
10.	Indicações para o utilizador	21
10.1	Descrição do balcão	21
10.2	Transporte e movimentação	21
10.3	Receção e armazenagem	21
10.4	Instalação e condições ambientais	22
10.5	Ligação elétrica	22
10.6	Características técnicas	22
10.7	Carregamento do produto	22
10.8	Utilização do balcão	23
10.9	Limpeza e manutenção ordinária	23
10.10	Situações de emergência	24
10.11	Assistência técnica	25
10.12	Desmantelamento e eliminação	25
11.	Advertências gerais adicionais	26

SIMBOLOGIA UTILIZADA



Símbolo proibição: proíbe efetuar determinadas operações.




Símbolo atenção: normas contra acidentes para o operador.



Símbolo advertências: existe a possibilidade de danificar o balcão e/ou os seus componentes.



Símbolo nota: fornece informações úteis.

Modello - Modèle - Model Modell - Modelo - Modelo	ZENITH VP - REMOTE CLOSED	
Fabbricante - Constructeur - Manufacturer Hersteller - Fabricante - Fabricante	Epta Spa - Via Mecenate, 86 - 20138 Milano (MI) ITALIA Tel. 02/55403211 Telefax 02/55401023	5/27

1. INTRODUÇÃO

Recomenda-se ler com atenção o conteúdo do presente Manual e conservá-lo junto com o balcão.

O fabricante não pode ser responsabilizado por danos causados a pessoas ou coisas devido à falta de observância das advertências contidas neste Manual.

Este manual do utilizador aplica-se a uma família de produtos disponível em diferentes configurações e dimensões; o desempenho e as especificações de cada modelo são complementados pelas informações fornecidas na placa de características, na Declaração CE de Conformidade, bem como pela etiqueta energética e pela respetiva ficha de informação do produto EPREL.

O desempenho de cada modelo individual pode variar consoante a configuração específica. A etiqueta energética e a ficha de informação do produto estão igualmente disponíveis em <https://eprel.eptarefrigeration.com>, mediante a introdução do número de série indicado na placa de características.



Fig. 1

O presente Manual contém informações consideradas necessárias para a boa utilização e funcionamento do balcão.

No seu interior estão presentes as seguintes descrições e informações:

- uma descrição das funções do balcão e de todas as suas partes
- informações relativas à segurança do balcão e as regras contra acidentes a observar
- uma utilização correta do balcão
- uma correta manutenção ordinária e programada, incluindo as operações de limpeza

informações não contidas no presente Manual:

- Instruções relativas à instalação

Para a instalação correta do balcão remeter-se aos seguintes documentos:

- Manual Técnico
- Instruções de consulta rápida

O presente manual destina-se às seguintes figuras profissionais:

- **OPERADOR QUALIFICADO**, pessoa qualificada, formada para o funcionamento, a regulação, a limpeza e a manutenção ordinária do móvel
- **TÉCNICO ESPECIALIZADO** técnico treinado e autorizado pelo organismo indicado no contrato (fabricante/concessionário/distribuidor) a realizar a instalação, manutenção extraordinária, reparação, substituição e revisão do balcão

As instruções de uso também estão disponíveis em:

www.eptarefrigeration.com.

Remeter-se à declaração de conformidade para os regulamentos e as certificações do balcão.

Guarde sempre o folheto de instruções e em caso de venda.

Modello - Modèle - Model Modell - Modelo - Modelo	ZENITH VP - REMOTE CLOSED	 epta refrigeration
Fabbricante - Constructeur - Manufacturer Hersteller - Fabricante - Fabricante	Epta Spa - Via Mecenate, 86 - 20138 Milano (MI) ITALIA Tel. 02/55403211 Telefax 02/55401023	6/27

2. ADVERTÊNCIAS DE SEGURANÇA

2.1 Advertências gerais



A designação do aparelho é indicada na página "16"



Aviso de segurança para sistemas que utilizam R744 (CO₂) transcrito. O evaporador do armário, localizado a jusante da válvula de expansão, foi concebido para operar em condições subcríticas.



O fabricante não pode ser responsabilizado danos causados a pessoas ou a coisas devido à falta de observância das advertências contidas neste manual. Qualquer pessoa que utilizar este balcão deverá ler o presente manual de utilização.



O empregador terá de formar o pessoal relativamente aos riscos decorrentes de acidentes, sobre os dispositivos preparados para a segurança do pessoal, riscos de emissão de ruído e regras gerais contra acidentes previstas pelas normas em vigor.



A utilização do móvel para fins não técnicos, como por exemplo a abertura das portas para retirar os produtos expostos, pode também ser efetuada por crianças com idade igual ou superior a 8 anos, ou por pessoas com capacidades físicas, sensoriais ou mentais reduzidas, ou sem experiência e conhecimento, desde que tenham sido devidamente supervisionadas ou instruídas quanto à utilização segura do aparelho e compreendam os perigos envolvidos.

As crianças devem ser supervisionadas para garantir que não brincam com o aparelho.

A limpeza e a manutenção não devem ser realizadas por crianças sem supervisão.



Qualquer outra utilização não explicitamente indicada neste manual é de considerar perigosa, não podendo o fabricante se responsabilizar por eventuais danos decorrentes de utilização indevida, errada e não razoável.



O balcão tem de ser utilizado por pessoal dotado de adequados dispositivos de proteção individuais.



É obrigatório utilizar luvas de trabalho.



Não deixar o balcão exposto aos agentes atmosféricos.



Não utilizar jactos de água diretos ou indiretos sobre o balcão.




Não mexer no balcão com as mãos e os pés molhados ou húmidos e não utilizar o balcão descalços.



A remoção de proteções ou de painéis que exigem a utilização de ferramenta para ser removidos é reservada exclusivamente ao pessoal qualificado.



A utilização técnica do balcão está reservada a pessoas autorizadas e devidamente formadas; as actividades de utilização técnica incluem, por exemplo, a ligação, as regulações, a limpeza e a manutenção.

Modello - Modèle - Model Modell - Modelo - Modelo	ZENITH VP - REMOTE CLOSED	 epta refrigeration
Fabbricante - Constructeur - Manufacturer Hersteller - Fabricante - Fabricante	Epta Spa - Via Mecenate, 86 - 20138 Milano (MI) ITALIA Tel. 02/55403211 Telefax 02/55401023	7/27



Para a montagem de acessórios opcionais dedicados, dirigir-se ao centro de assistência autorizado mais próximo.



A informação relativa à carga máxima de cada tipo de prateleira está disponível na página "22".



Cada intervenção deve ser realizada exclusivamente por pessoal qualificado.



Todas as operações de movimentação, transporte, montagem e desmontagem, durante a colocação fora de serviço e durante a eliminação, devem ser realizadas exclusivamente por pessoal qualificado.



Qualquer intervenção terá de ser efetuada exclusivamente por pessoal qualificado e, de qualquer modo, antes de qualquer intervenção, é necessário desligar a alimentação elétrica do seccionador.



Formar quem utilizar o balcão sobre a posição do interruptor seccionador.



A regulação do termostato deve ser feita somente pelo serviço de assistência técnica autorizado.



Prestar atenção às partes quentes ou em movimento marcadas com o símbolo adequado.



Em caso de incêndio, não utilizar água para apagar as chamas mas apenas extintores a seco.



Não danificar o circuito refrigerante.



Evitar fogueiras ou faíscas no interior do aparelho.



Manter livres de obstruções as aberturas de ventilação no invólucro do aparelho.



Não utilize aparelhos elétricos no interior dos compartimentos do aparelho destinados à conservação de alimentos frescos ou congelados, a menos que sejam do tipo recomendado pelo fabricante.



Não conservar substâncias explosivas ou perigosas, como recipientes sob pressão com propelente inflamável, neste aparelho.



Não coloque recipientes com líquidos e não derrame líquidos sobre o balcão.



Não deixar pesos em cima da parte superior do balcão; convém evitar colocar alimentos não embalados diretamente nas prateleiras, mas utilizar recipientes específicos para alimentos.



Este aparelho foi concebido para funcionar na classe ambiental 3 ou 4; a definição da classe ambiental é fornecida na página "27".

EN

IT

FR


DE


ES


PT


Modello - Modèle - Model Modell - Modelo - Modelo	ZENITH VP - REMOTE CLOSED	 epta refrigeration
Fabbricante - Constructeur - Manufacturer Hersteller - Fabricante - Fabricante	Epta Spa - Via Mecenate, 86 - 20138 Milano (MI) ITALIA Tel. 02/55403211 Telefax 02/55401023	8/27


2.2 Advertências para a Manutenção do balcão


 As operações de manutenção devem ser realizadas exclusivamente por pessoal autorizado.

 O acesso a partes elétricas e/ou a partes que exigem a utilização de ferramenta é reservado aos técnicos especializados.


 Antes de efetuar qualquer operação de manutenção e limpeza reservadas ao utilizador, retirar tensão ao balcão através do interruptor seccionador geral colocado na parede.


 Prestar atenção às partes quentes ou em movimento marcadas com o símbolo adequado.


 É obrigatório utilizar luvas de trabalho.


 É importante respeitar o tipo e a frequência das inspeções e da manutenção necessárias para um funcionamento seguro, incluindo as medidas de manutenção preventiva, conforme descrito no parágrafo "Limpeza e manutenção ordinária" na página "23".


2.3 Advertências elétricas


 Verificar se a tensão de alimentação corresponde aos dados que constam da placa de características do balcão.


 A instalação elétrica tem de ser efetuada, segundo as normas, por técnicos especializados.


 A remoção da tampa do quadro elétrico tem de ser efetuada por técnicos especializados.


 De acordo com as regras de instalação, a rede de alimentação tem de incluir um dispositivo para a desligação onipolar que assegure a desligação completa da rede nas condições da categoria de sobretensão III.

 A instalação do balcão tem de ser efetuada de acordo com as instruções do fabricante, por pessoal profissionalmente qualificado e de acordo com as normas sobre as instalações elétricas em vigor nos vários Países.


 Uma instalação errada do balcão pode provocar danos a pessoas, animais ou coisas, em relação aos quais o fabricante não pode ser considerado responsável.


 Se o cabo de alimentação estiver danificado, deve ser substituído por pessoal de assistência autorizado para evitar qualquer perigo. Não tente reparar o cabo.


 Não ligue a balcão se estiver danificada. Em caso de dúvida, contacte o serviço pós-venda ou o seu revendedor.


Modello - Modèle - Model Modell - Modelo - Modelo	ZENITH VP - REMOTE CLOSED	 epta refrigeration
Fabbricante - Constructeur - Manufacturer Hersteller - Fabricante - Fabricante	Epta Spa - Via Mecenate, 86 - 20138 Milano (MI) ITALIA Tel. 02/55403211 Telefax 02/55401023	9/27


2.4 Proibições


 É proibido utilizar dispositivos além dos fornecidos no balcão do produtor, para acelerar o processo de descongelamento.


 É proibido, por pessoal não especializado, remover a tampa do quadro elétrico ou abrir painéis que exigem a utilização de ferramenta.


 É proibido utilizar o balcão para a conservação e/ou a exposição de substâncias explosivas, inflamáveis ou corrosivas, como por exemplo embalagens spray com um propelente inflamável.


 É proibido utilizar o balcão para a conservação e/ou a exposição de produtos farmacêuticos.

 É proibido, em caso de PRODUTOS NÃO EMBALADOS OU CONSERVADOS A BAIXA TEMPERATURA, utilizar o balcão para a conservação e/ou a exposição de garrafas e embalagens de vidro.

 É proibido colocar o balcão em ambientes em que estão presentes substâncias gasosas explosivas.

 É proibido remover a placa de características do balcão.

 É proibido subir no balcão ou no pára-choque do balcão.

 É proibida a substituição de componentes e/ou alteração do balcão não correspondente às especificações previstas pelo fabricante, substituição de peças de reposição originais por outras não homologadas pelo fabricante, sob pena da decadência das condições de garantia.

EN


IT

FR

DE

ES

PT

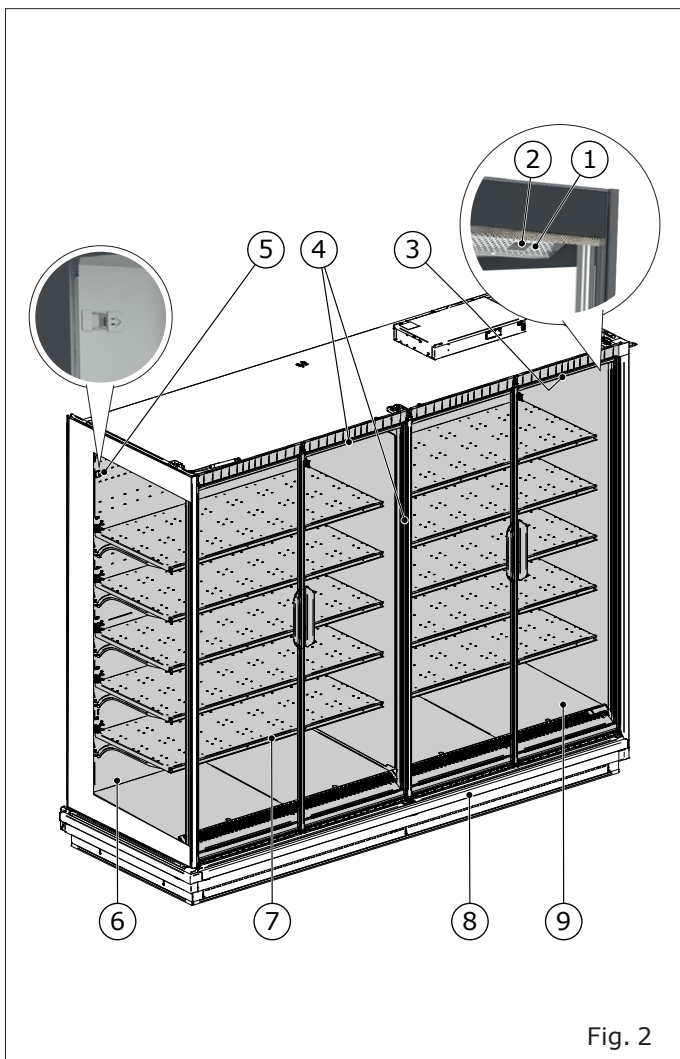
Modello - Modèle - Model Modell - Modelo - Modelo	ZENITH VP - REMOTE CLOSED	 epta refrigeration
Fabbricante - Constructeur - Manufacturer Hersteller - Fabricante - Fabricante	Epta Spa - Via Mecenate, 86 - 20138 Milano (MI) ITALIA Tel. 02/55403211 Telefax 02/55401023	10/27

EN
IT
FR
DE
ES
PT

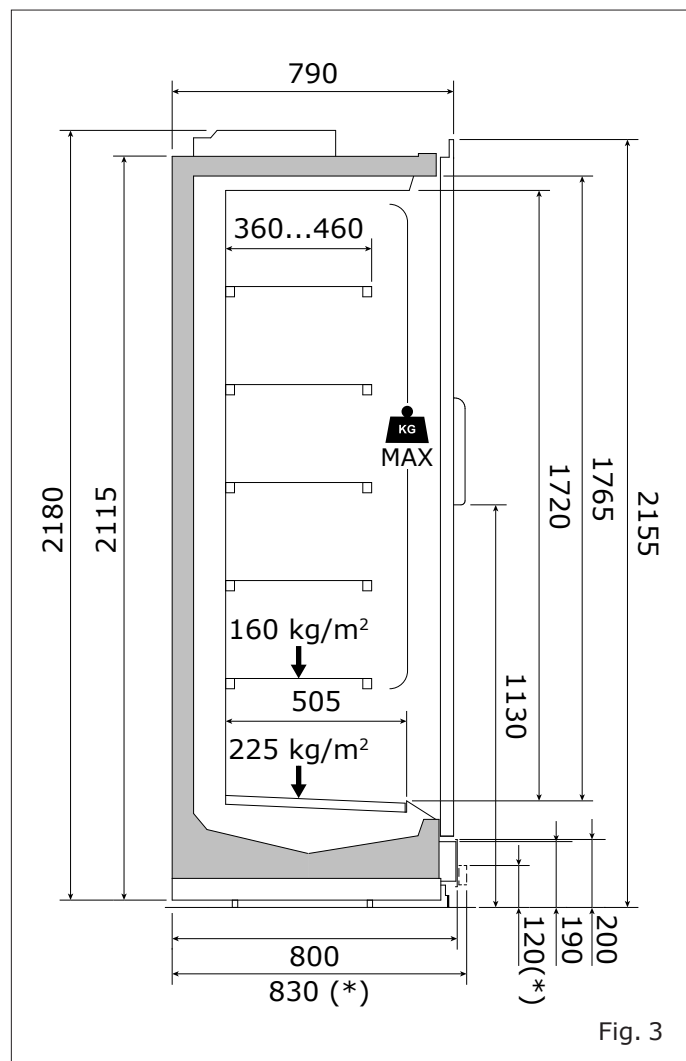
3. DESCRIÇÃO GERAL

3.1 Seções


H2O SMALL



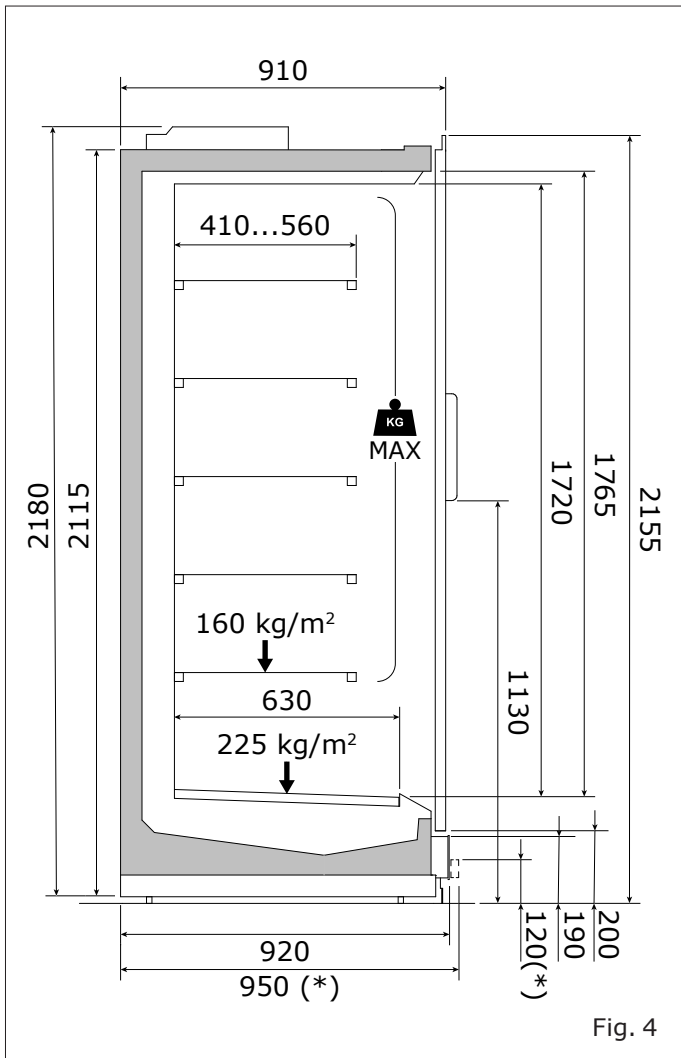
1. Interruptor das luzes
2. Display
3. Placa de características
4. Iluminação
5. Bloqueio do painel traseiro
6. Extremidades laterais em vidro
7. Prateleiras
8. Proteções em aço para proteger os balcões (opcional)
9. Placas de fundo



(*) opcional

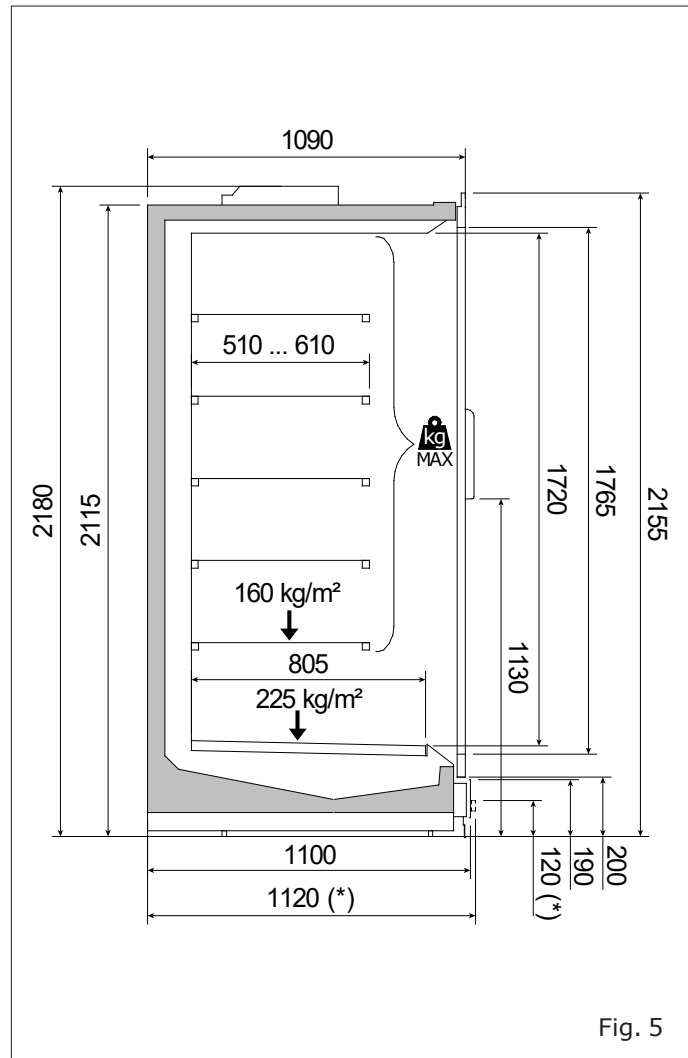
Modello - Modèle - Model Modell - Modelo - Modelo	ZENITH VP - REMOTE CLOSED	 epta refrigeration
Fabbricante - Constructeur - Manufacturer Hersteller - Fabricante - Fabricante	Epta Spa - Via Mecenate, 86 - 20138 Milano (MI) ITALIA Tel. 02/55403211 Telefax 02/55401023	11/27

H2O MEDIUM



(*) opcional

H2O LARGE



(*) opcional

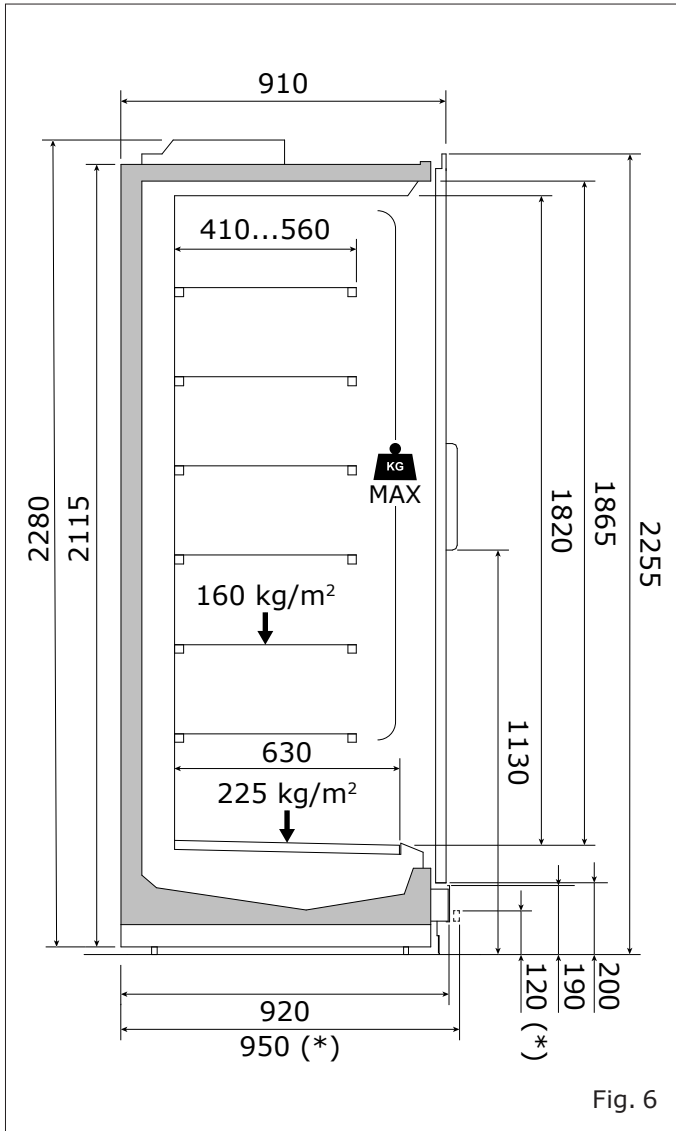
- EN
- IT
- FR
- DE
- ES
- PT**

Modello - Modèle - Model Modell - Modelo - Modelo	ZENITH VP - REMOTE CLOSED	 epta refrigeration
Fabbricante - Constructeur - Manufacturer Hersteller - Fabricante - Fabricante	Epta Spa - Via Mecenate, 86 - 20138 Milano (MI) ITALIA Tel. 02/55403211 Telefax 02/55401023	12/27


User Manual

- EN
- IT
- FR
- DE
- ES
- PT**

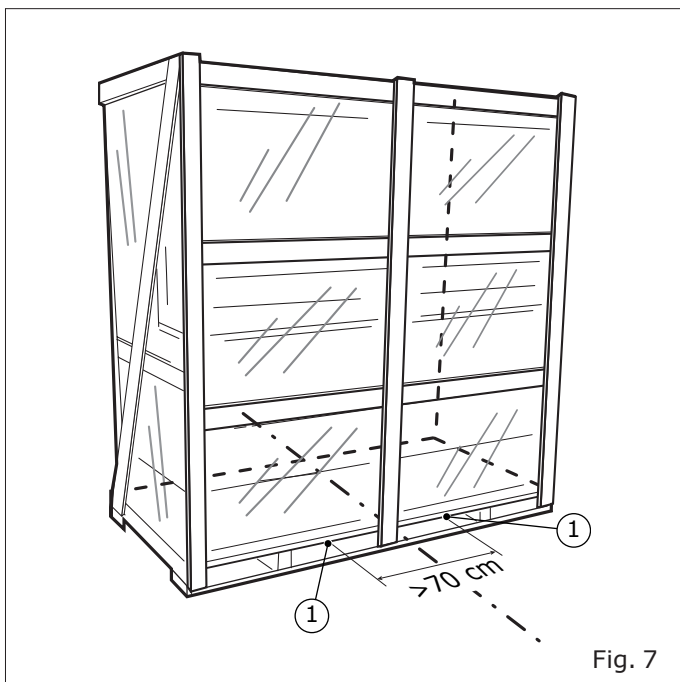
H22 MEDIUM



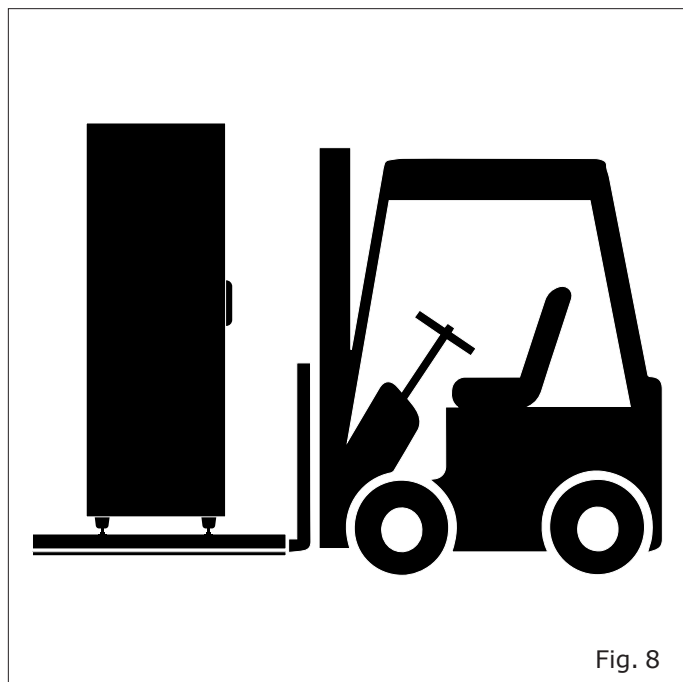
(*) opcional

Modello - Modèle - Model Modell - Modelo - Modelo	ZENITH VP - REMOTE CLOSED	
Fabbricante - Constructeur - Manufacturer Hersteller - Fabricante - Fabricante	Epta Spa - Via Mecenate, 86 - 20138 Milano (MI) ITALIA Tel. 02/55403211 Telefax 02/55401023	13/27

4. TRANSPORTE DO BALCÃO



1. Pontos de levantamento



EN

IT

FR

DE

ES

PT

Modello - Modèle - Model Modell - Modelo - Modelo	ZENITH VP - REMOTE CLOSED	
Fabbricante - Constructeur - Manufacturer Hersteller - Fabricante - Fabricante	Epta Spa - Via Mecenate, 86 - 20138 Milano (MI) ITALIA Tel. 02/55403211 Telefax 02/55401023	14/27

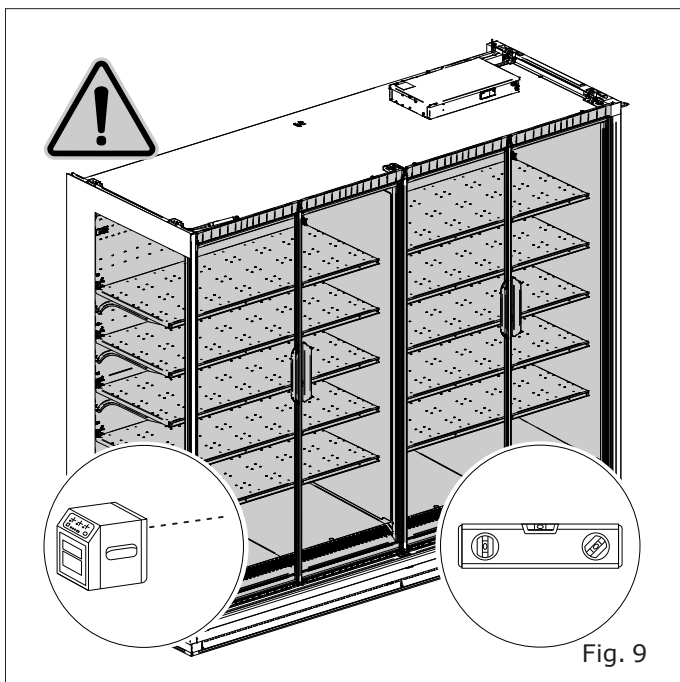
User Manual

Tab. I

Altura	Profundidade	Comprimento	Peso (kg)	Peso com embalagem (kg)
2100	SMALL	1250	210	230
		1875	275	305
		2500	435	500
		3750	650	810
	MEDIUM	1250	230	250
		1875	300	330
		2500	470	500
		3750	720	760
		EOL 133	225	250
		EOL 184	450	500
		EOL 194	490	550
	LARGE	1250	250	270
		1875	325	355
		2500	505	535
		3750	770	810
		EOL 219	590	660
2200	LARGE	1250	270	290
		1875	355	385
		2500	535	565
		3750	810	850

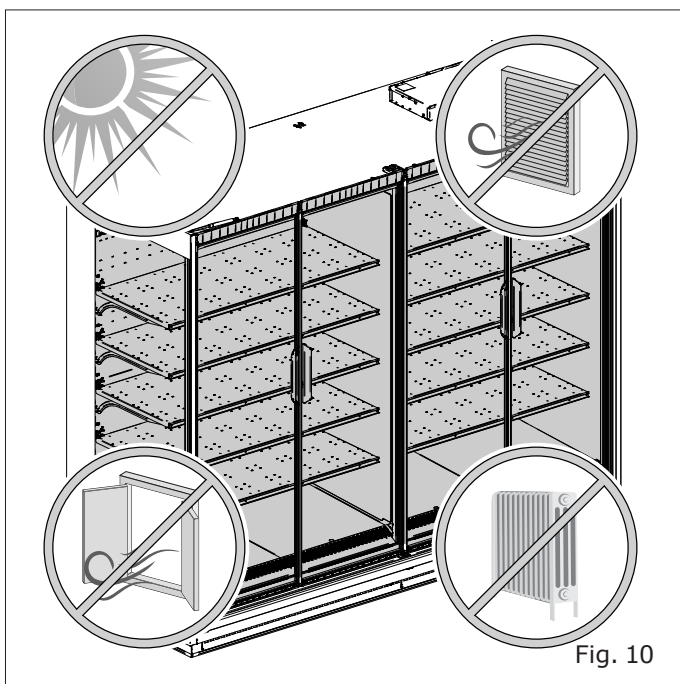
Modello - Modèle - Model Modell - Modelo - Modelo	ZENITH VP - REMOTE CLOSED	 epta refrigeration
Fabbricante - Constructeur - Manufacturer Hersteller - Fabricante - Fabricante	Epta Spa - Via Mecenate, 86 - 20138 Milano (MI) ITALIA Tel. 02/55403211 Telefax 02/55401023	15/27


5. CONDIÇÕES AMBIENTAIS



Tab. II

Caraterísticas	
Tipo de local	Fechado
Temperatura	25°C
Humidade relativa	60 %
Iluminação	600 lx



Modello - Modèle - Model Modell - Modelo - Modelo	ZENITH VP - REMOTE CLOSED	 epta refrigeration
Fabbricante - Constructeur - Manufacturer Hersteller - Fabricante - Fabricante	Epta Spa - Via Mecenate, 86 - 20138 Milano (MI) ITALIA Tel. 02/55403211 Telefax 02/55401023	16/27

User Manual

6. CARACTERÍSTICAS TÉCNICAS



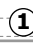












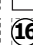







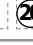

























			
 		SN  	
RATED   BEMESSUNG   ASSIGNÉ   NOMINALE   NOMINAL		REF  	
DEFROSTING  ABTAUUNG  DÉGIVRAGE  SBRINAMENTO  DESCONGELAMIENTO		REFRIGERANT   KÄLTEMITTEL   RÉFRIGÉRANT   REFRIGERANTE   REFRIGERANTE	
HEATING SYSTEMS  HEIZUNGSSYSTEME  SYSTEMES CHAUFFANTS  SISTEMI DI RISCALDAMENTO  SISTEMA DE CALEFACCIÓN		CLIMATIC CLASS  KLIMAKLASSE  CLASSE CLIMATIQUE  CLASSE CLIMATICA  CLASE CLIMÁTICA	
 		INSULATION BLOWING GAS  ISOLATIONSGAS (BLÄHGAS)  AGENT MOUSSANT D'ISOLATION  GAS ESPANDENTE ISOLAMENTO  AGENTE ESPUMANTE	
 Read Operator's Manual available at www.eptarefrigeration.com or calling: +39 0437 968379		  	
		  	

Fig. 11

- | | |
|--------------------------------|----------------------------|
| 1. Origem do produto | 14. Data de produção |
| 2. Produto no "País de origem" | 15. Código hat |
| 3. Tensão nominal | 16. Modelo/designação |
| 4. Potência nominal | 17. Tipo de refrigerante 1 |
| 5. Frequência nominal | 18. Massa refrigerante 1 |
| 6. Corrente nominal | 19. Tipo de refrigerante 2 |
| 7. Potência de descongelamento | 20. Massa refrigerante 2 |
| 8. Corrente de descongelamento | 21. Classe climática |
| 9. Sistema de aquecimento | 22. Isolamento gás |
| 10. Sistema de iluminação | 23. Índice de proteção |
| 11. Manual do operador | 24. Marca de certificação |
| 12. Código de barras | |
| 13. Número de série | |


6.1 Referência dos modelos / designação

A tabela explica como ler o código do modelo, indicando as informações comerciais relevantes para cada parte da referência (ver campo da etiqueta número: "16").

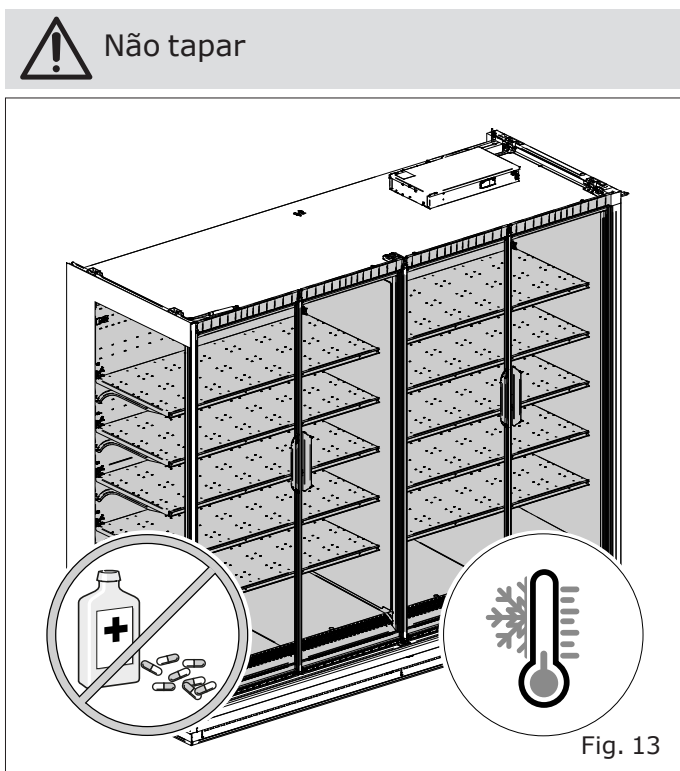
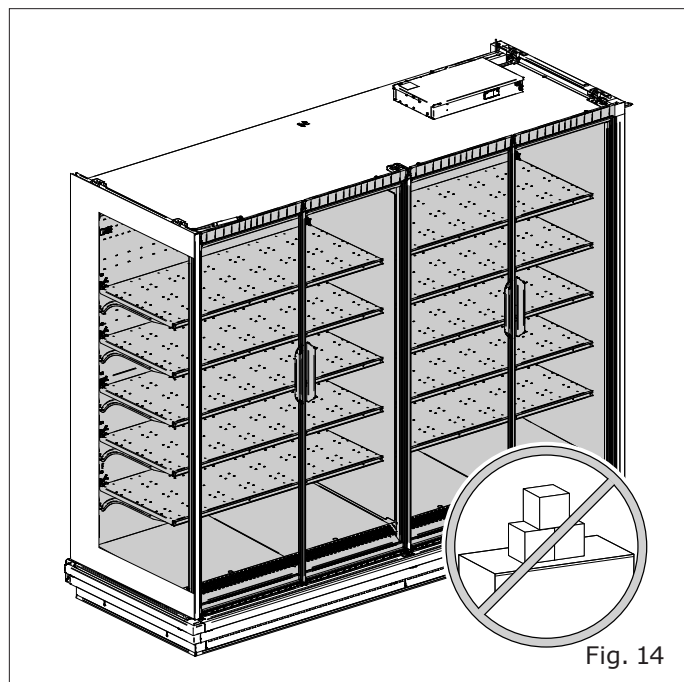
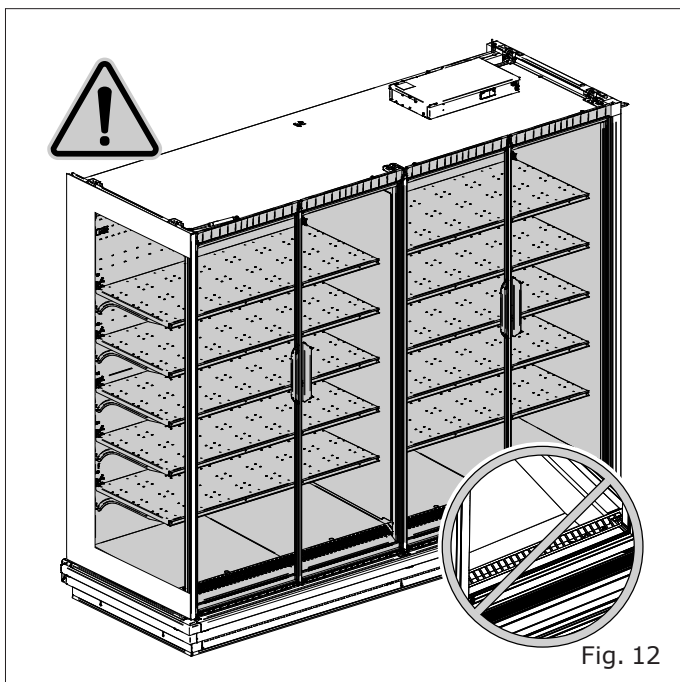
AL1aCbb (Móvel refrigerado)

Referência / designação	Descrição geral	Informações comerciais
AL1	Nome	Zenith VP
a	Profundidade	S (SMALL), M (MEDIUM), L (LARGE)
C	Tipologia	C (Fechado)
bb	Comprimento	12, 18, 25, 37, T1, T3, T4, T5

exemplo: AL1MC37 - Zenith VP MEDIUM CLOSED 375

Modello - Modèle - Model Modell - Modelo - Modelo	ZENITH VP - REMOTE CLOSED	
Fabbricante - Constructeur - Manufacturer Hersteller - Fabricante - Fabricante	Epta Spa - Via Mecenate, 86 - 20138 Milano (MI) ITALIA Tel. 02/55403211 Telefax 02/55401023	17/27

7. UTILIZAÇÃO DO BALCÃO



2. Exibição de temperatura

Modello - Modèle - Model Modell - Modelo - Modelo	<h1>ZENITH VP - REMOTE CLOSED</h1>	
Fabbricante - Constructeur - Manufacturer Hersteller - Fabricante - Fabricante	Epta Spa - Via Mecenate, 86 - 20138 Milano (MI) ITALIA Tel. 02/55403211 Telefax 02/55401023	18/27

User Manual

- EN
- IT
- FR
- DE
- ES
- PT

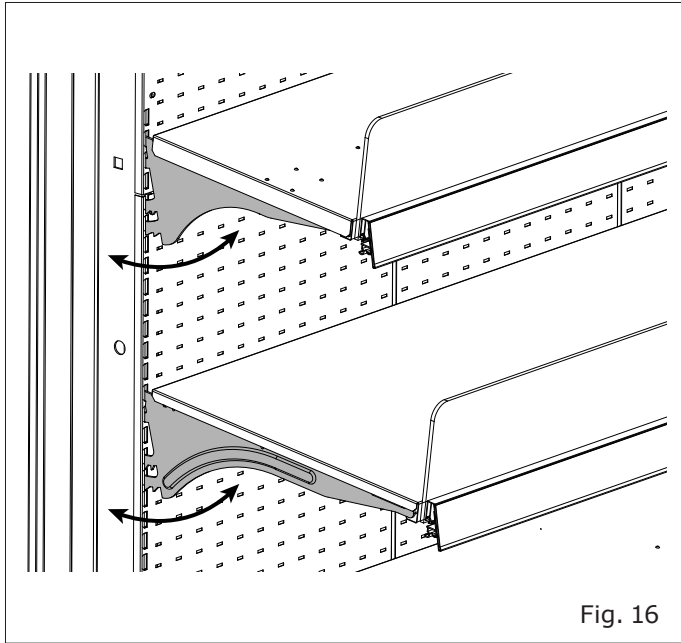


Fig. 16

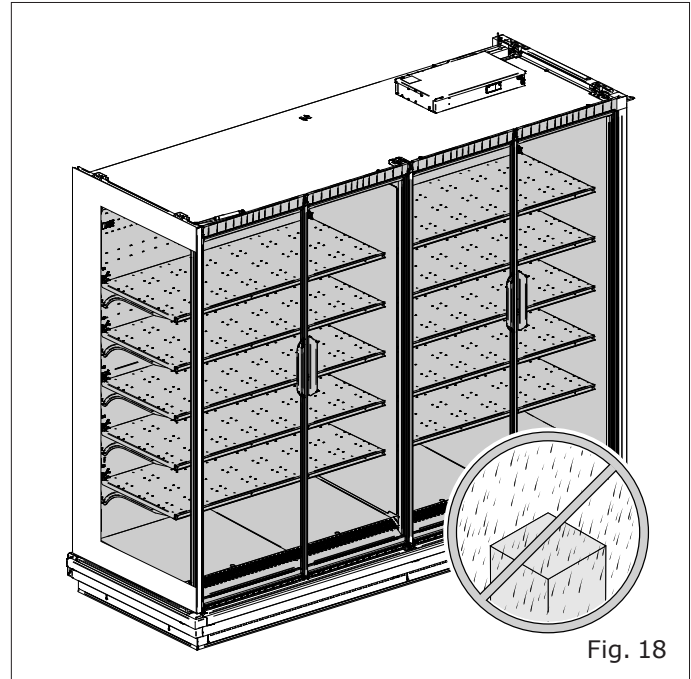


Fig. 18

Inclinação das prateleiras: 0° - 7° - 14° - 21°

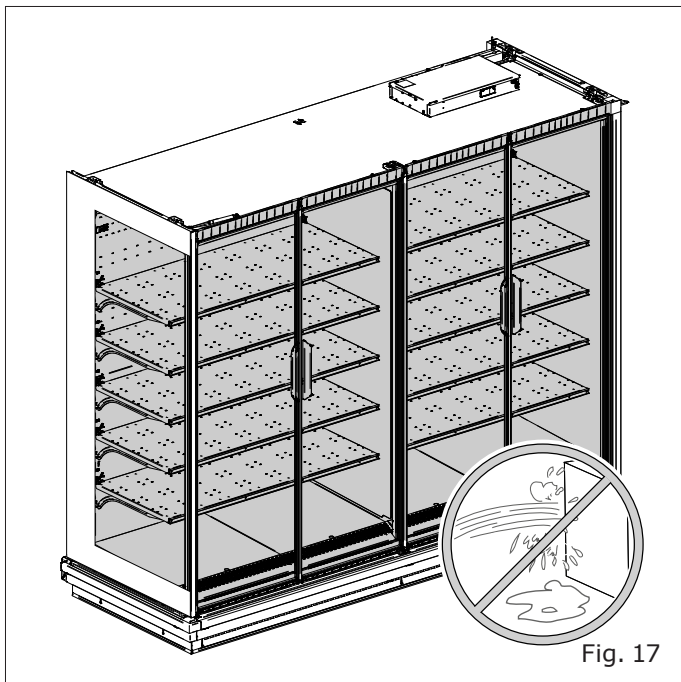


Fig. 17

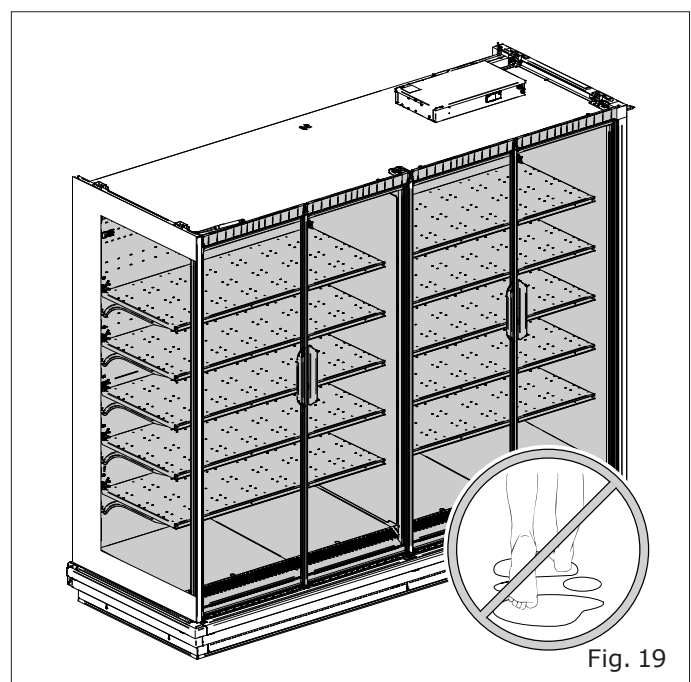



Fig. 19

Modello - Modèle - Model Modell - Modelo - Modelo	ZENITH VP - REMOTE CLOSED	
Fabbricante - Constructeur - Manufacturer Hersteller - Fabricante - Fabricante	Epta Spa - Via Mecenate, 86 - 20138 Milano (MI) ITALIA Tel. 02/55403211 Telefax 02/55401023	19/27

8. MANUTENÇÃO ORDINÁRIA

8.1 Limpeza do balcão

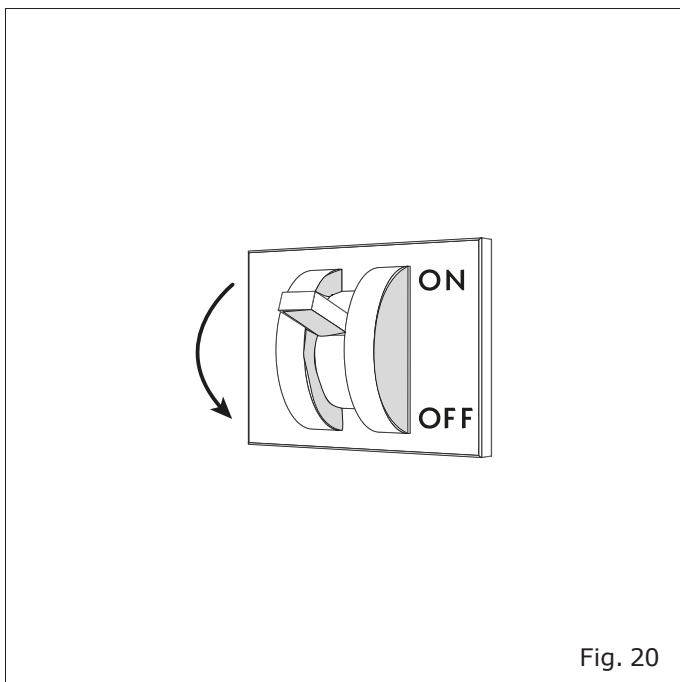


Fig. 20

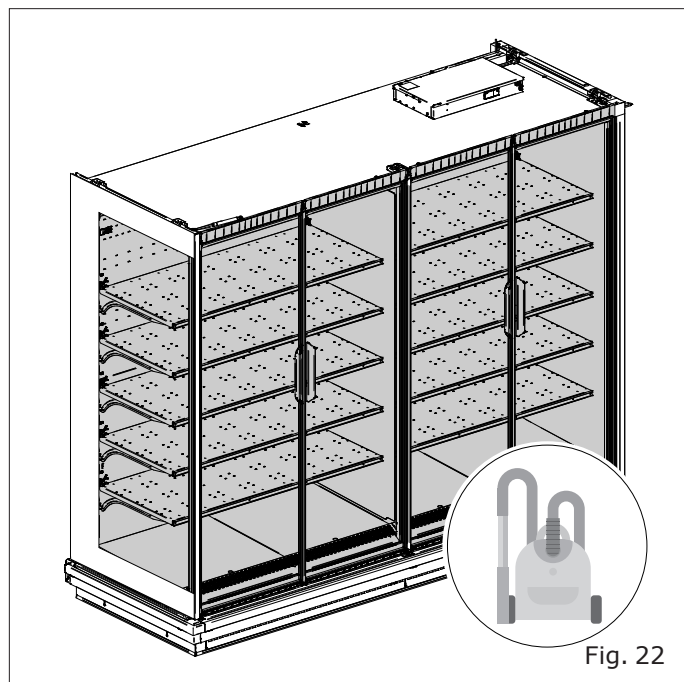


Fig. 22

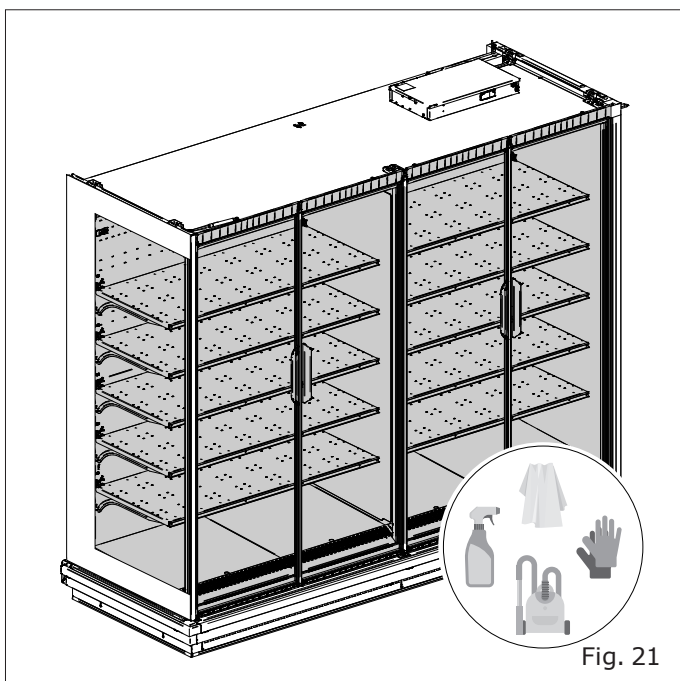


Fig. 21

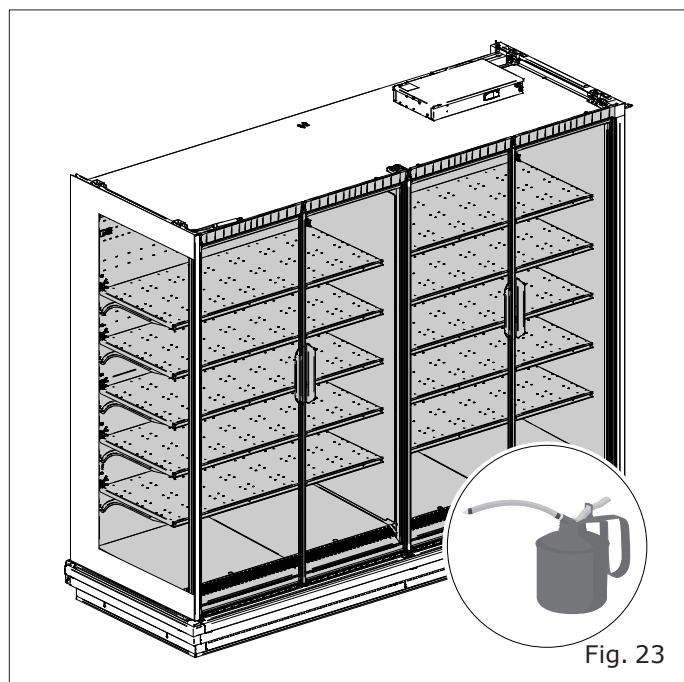



Fig. 23

Modello - Modèle - Model Modell - Modelo - Modelo	ZENITH VP - REMOTE CLOSED	 epta refrigeration
Fabbricante - Constructeur - Manufacturer Hersteller - Fabricante - Fabricante	Epta Spa - Via Mecenate, 86 - 20138 Milano (MI) ITALIA Tel. 02/55403211 Telefax 02/55401023	20/27


9. CONFIGURAÇÃO DE PRATELEIRAS

H20

Nível	SMALL	MEDIUM	LARGE
1 nível mínimo	<p>Todos os níveis a 360 mm ou Todos os níveis a 410 mm ou Todos os níveis a 460 mm ou Mistura por ordem de cima para baixo: 360 - 410 - 460 mm</p>	<p>Todos os níveis a 410 mm ou Todos os níveis a 460 mm ou Todos os níveis a 510 mm ou Todos os níveis a 560 mm ou Combinação na ordem de cima para baixo: 410 - 460 - 510 - 560 - 560 mm</p>	<p>Todos os níveis a 510 mm ou Todos os níveis a 560 mm ou Todos os níveis a 610 mm ou Mistura por ordem de cima para baixo: 510 - 560 - 610 mm</p>
2 níveis			
3 níveis			
4 níveis			
5 níveis			
6 níveis			
7 níveis máximo	7 níveis apenas na versão sem iluminação ou sem espelho interno		

H22

Nível	MEDIUM
1 nível mínimo	<p>Todos os níveis a 410 mm ou Todos os níveis a 460 mm ou Todos os níveis a 510 mm ou Todos os níveis a 560 mm ou Combinação na ordem de cima para baixo: 410 - 460 - 510 - 560 - 560 mm</p>
2 níveis	
3 níveis	
4 níveis	
5 níveis	
6 níveis	
7 níveis máximo	7 níveis apenas na versão sem iluminação ou sem espelho interno

Modello - Modèle - Model Modell - Modelo - Modelo	ZENITH VP - REMOTE CLOSED	
Fabbricante - Constructeur - Manufacturer Hersteller - Fabricante - Fabricante	Epta Spa - Via Mecenate, 86 - 20138 Milano (MI) ITALIA Tel. 02/55403211 Telefax 02/55401023	21/27

10. INDICAÇÕES PARA O UTILIZADOR

10.1 Descrição do balcão

O móvel foi projectado e realizado exclusivamente para expor produtos alimentares frescos já embalados, bebidas e lacticínios.

CLASSE DE TEMPERATURA (segundo EN ISO 23953-2): 4M1 (*), 3M1, 3M0.

(*) Apenas na configuração ADVANCE+

As características gerais e as dimensões são ilustradas nas figuras e nas seções contidas em "Descrição geral" (a partir da pág. "10" até à pág."12").

As configurações de temperatura recomendadas para cada compartimento, para uma conservação ideal dos alimentos, estão indicadas na ficha de informação do produto disponível em EPREL ou através do acesso ao site <https://eprel.eptarefrigeration.com>, seguindo as instruções fornecidas para o acesso à base de dados.

Durante as fases de transporte e movimentação, receção e armazenagem, instalação, carregamento, utilização, limpeza e manutenção, eliminação, prestar atenção ao risco de viragem do balcão ("Fig. 24").

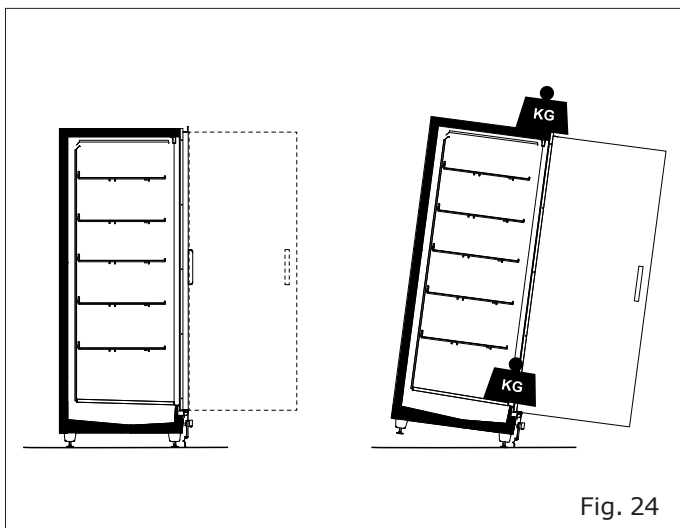


Fig. 24

10.2 Transporte e movimentação

O balcão é contido numa embalagem específica dotada de estrado para a movimentação com empilhadores.

Para o transporte e a movimentação do balcão utilizar:

- Exclusivamente um estrado adequado ou equivalente
- Um empilhador à mão ou elétrico adequado para o levantamento do balcão, com características idóneas que respeitem as Normas em vigor

Os pesos do balcão (vazio e com a embalagem) e as dimensões da embalagem encontram-se em "Transporte do balcão" (tabela "Tab. I" até à pág."14").

As operações de movimentação devem ser efetuadas por pessoal qualificado, apto para avaliar pesos, pontos de levantamento e meios mais idóneos tanto para a segurança como para o caudal.


10.3 Receção e armazenagem

Controlar as condições de embalagem antes de aceitar a entrega do balcão pelo despachante. Em caso de danos evidentes na embalagem:

- Remover a embalagem do balcão em presença do despachante.
- Assinar, com reserva, o documento de entrega

O fabricante não pode ser responsabilizado por eventuais danos devido ao transporte ou a uma armazenagem errada do balcão.

O balcão tem de ser conservado em lugar protegido do sol e das intempéries, a uma temperatura entre -25°C e +55°C e uma humidade relativa do ar entre 30% e 95%.

Modello - Modèle - Model Modell - Modelo - Modelo	ZENITH VP - REMOTE CLOSED	
Fabbricante - Constructeur - Manufacturer Hersteller - Fabricante - Fabricante	Epta Spa - Via Mecenate, 86 - 20138 Milano (MI) ITALIA Tel. 02/55403211 Telefax 02/55401023	22/27

10.4 Instalação e condições ambientais

O balcão não foi projetado para ser instalado no exterior.

Para um funcionamento correto do balcão, verificar se está posicionado:

- Num chão nivelado ("Fig. 9").
- Longe de fontes de calor, da radiação direta do sol, de portas, janelas, ventiladores e bocas de ventilação ("Fig. 10").

Assegurar o espaço necessário para os clientes que utilizam o balcão.

As condições do ambiente no qual colocar o balcão encontram-se em: "Condições ambientais" (tabela "Tab. II", Pág."15").

10.5 Ligação elétrica

A montante do balcão tem de ser instalado um interruptor seccionador omnipolar. Este tem de ter poder de interrupção adequado.

- Distância mínima dos contactos de 3 mm
- Poder de interrupção adequado

O interruptor-seccionador deve estar instalado a montante do balcão e deve ser visível para o operador durante a limpeza e a manutenção, ou deve estar equipado com um seccionador com sistema de bloqueio em posição isolada.

Antes de ligar o balcão, verificar se a tensão de alimentação corresponde aos dados que constam da placa de características do balcão. Para garantir um funcionamento regular, a variação máxima de tensão tem de estar incluída entre +/- 6% do valor nominal.

10.6 Características técnicas

A placa com o número de série contém as especificações técnicas do armário. A posição é indicada em ("Fig. 2") e o tipo de dados são reportados em: "Características técnicas" ("Fig. 11").

Esquemas elétricos, listas de calibrações dos instrumentos de controle, instruções de instalação e cópia da Declaração de Conformidade estão disponíveis no site <https://documents.eptarefrigeration.com>.

O nível de pressão sonora gerado pelo funcionamento do balcão é inferior a 70 dB(A). O balcão não provoca vibrações prejudiciais.

10.7 Carregamento do produto

Transmitir tensão ao balcão para iniciar o seu ciclo de arrefecimento, carregando no interruptor seccionador geral colocado na parede. Depois de cerca 2 horas é possível carregar o balcão.

O balcão é adequado para conservar a temperatura da mercadoria e não para a baixar; los alimentos, portanto, terão de ser colocados no seu interior apenas se tiverem sido arrefecidos segundo as respetivas temperaturas de conservação. Produtos que tiverem sofrido aquecimento nunca devem ser colocados no balcão.

Em presença de vidros na parte da frente do balcão, aconselha-se efetuar o carregamento da mercadoria quando no espaço de venda não estiverem presentes clientes.

Durante o carregamento da mercadoria, fazer com que:

- A carga seja homogénea por dimensão e qualidade da mesma mercadoria.
- A mercadoria não obstrua o correto fluxo do ar refrigerado ("Fig. 12")
- A mercadoria não ultrapasse a linha de carga.

Carga máxima admissível distribuída de modo uniforme:

- Na prateleira ao fundo: 225 kg/m²
- Nas prateleiras: 160 kg/m²
- Fora do total de prateleiras: MAX480 kg/m²

Modello - Modèle - Model Modell - Modelo - Modelo	ZENITH VP - REMOTE CLOSED	 eptarefrigeration
Fabbricante - Constructeur - Manufacturer Hersteller - Fabricante - Fabricante	Epta Spa - Via Mecenate, 86 - 20138 Milano (MI) ITALIA Tel. 02/55403211 Telefax 02/55401023	23/27

10.8 Utilização do balcão



Para um melhor funcionamento do móvel, recomendamos verifique que as portas não estão abertas.

Iluminação

A iluminação do móvel é controlada por um interruptor integrado na grelha superior direita do móvel. ("Fig. 2").

Display

Um visor de temperatura está posicionado na parte superior direita do móvel para o controlo da temperatura. ("Fig. 15").

O visor de temperatura mostra a temperatura atual no interior do compartimento e permite a regulação da temperatura através dos botões dedicados.

Configuração e inclinação das prateleiras de exibição

Assegurar o desempenho correto para o que o móvel foi projetado, devem ser organizadas estantes dentro do móvel de acordo com o jogo-para cima descreveu abaixo (tabela na página "20").

Podem assumir 4 inclinações diferentes, que são reguladas variando a posição de encaixe das prateleiras nos montantes posteriores do móvel. ("Fig. 16").

10.9 Limpeza e manutenção ordinária

Fazer com que haja uma boa visibilidade na área de intervenção, eventualmente servindo-se de mais uma fonte de iluminação.

Limpeza do balcão

Utilizar exclusivamente água à temperatura máxima de 65°C e sabão ou detergente neutro para uso doméstico diluído em água.

Para as superfícies envidraçadas utilizar exclusivamente produtos para a limpeza dos vidros. Aconselha-se evitar a utilização de água porque poderia depositar calcário na superfície do vidro.

Não utilizar por nenhuma razão:

- Esponjas abrasivas
- Produtos inflamáveis ou abrasivos como álcool, acetona ou solventes
- Detergentes que contêm tensoativos não iónicos, limão ou vinagre (ácido acético)



Não lavar ou limpar com água ou líquidos a parte superior do balcão.

Limpar **UMA VEZ POR SEMANA** todas as partes exteriores do balcão.

Limpar **UMA VEZ POR MÊS** todas as partes interiores do balcão, seguindo as instruções abaixo indicadas:

- Retirar a tensão elétrica ao balcão através do interruptor seccionador geral colocado na parede ("Fig. 20").
- Esvaziar o balcão, armazenando a mercadoria em câmaras frigoríficas ou refrigeradores específicos para manter a temperatura de conservação da mesma.
- Aguardar que o interior do balcão tenha alcançado a temperatura ambiente e proceder à limpeza
- Depois de ter controlado com atenção que o interior do balcão esteja completamente seco, colocar de novo em função o aparelho, transferindo tensão ao balcão.
- Depois de cerca duas horas colocar de novo a mercadoria.

Modello - Modèle - Model Modell - Modelo - Modelo	ZENITH VP - REMOTE CLOSED	 epta refrigeration
Fabbricante - Constructeur - Manufacturer Hersteller - Fabricante - Fabricante	Epta Spa - Via Mecenate, 86 - 20138 Milano (MI) ITALIA Tel. 02/55403211 Telefax 02/55401023	24/27

EN
IT
FR
DE
ES
PT

Quando se colocar o armário fora de serviço, desligar a alimentação e seguir os passos anteriores, deixando as portinholas abertas (se disponível) para evitar maus cheiros.

Proceder **CADA TRÊS MESESI** o descongelamento do balcão para permitir o derretimento do gelo que porventura se formou na alhetas do evaporador não permitindo o funcionamento correto. A duração e o número de descongelamentos são regulados diretamente na fábrica. Eventuais regulações são reservadas exclusivamente ao serviço técnico de assistência. A água de descongelamento é recolhida numa descarga adequada. Verificar periodicamente se a água de descongelamento escorre normalmente. Em caso contrário intervir mediante uma sonda flexível não pontiaguda.

Atuar como indicado para a limpeza **MENSAL** das partes interiores, mas neste caso será necessário prever um tempo de espera mais longo para permitir o descongelamento completa do gelo.

10.10 Situações de emergência

O balcão não arranca ou pára:


- Verificar que não esteja presente uma situação de blackout elétrico.
- Controlar que o interruptor geral colocado na esteja ligado.
- Controlar que a ficha do balcão esteja introduzida na tomada de corrente.

Se a interrupção elétrica não depender destas razões, dirigir-se ao centro de assistência autorizado mais próximo e proceder ao esvaziamento completo e à armazenagem imediata do produto em arcas frigoríficas ou refrigeradores específicos para manter a temperatura de conservação.

O balcão não arrefece suficientemente:

- Controlar se o carregamento do balcão está correto.
- Descongelar o balcão para depois retomar o funcionamento normal.
- Controlar que o balcão não se encontre próximo de fontes de calor ou correntes de ar.
- Verificar as condições ambientais indicadas em "Condições ambientais" ("Tab. II", Pág."15").
- Controlar, através de uma bolha de nível, a planaridade do balcão.

Se a falha de arrefecimento persistir, dirigir-se ao centro de assistência autorizado mais próximo.

Modello - Modèle - Model Modell - Modelo - Modelo	ZENITH VP - REMOTE CLOSED	 epta refrigeration
Fabbricante - Constructeur - Manufacturer Hersteller - Fabricante - Fabricante	Epta Spa - Via Mecenate, 86 - 20138 Milano (MI) ITALIA Tel. 02/55403211 Telefax 02/55401023	25/27

O balcão faz ruído:

- Controlar se os parafusos e as porcas estão perfeitamente fechados.
- Controlar, através de uma bolha de nível, a planaridade do balcão.

Se o inconveniente persistir, dirigir-se ao centro de assistência autorizado mais próximo.

10.11 Assistência técnica

Se se tornar necessária a intervenção do pessoal técnico de assistência, contactar de imediato o fornecedor que vendeu o balcão.

Se se tornar necessária a utilização de peças sobresselentes remeter-se sempre ao serviço técnico de assistência: pedir e apurar que sejam utilizadas peças sobresselentes originais.

10.12 Desmantelamento e eliminação

De acordo com as normas para o desmantelamento dos resíduos em vigor em cada País e respeitando o ambiente no qual vivemos, pedimos para dividirem o balcão em duas partes por forma a poder eliminar separadamente e eventualmente recuperá-las adequadamente.

Todas as partes que compõem o balcão não são assimiladas aos resíduos sólidos urbanos, excepto para peças metálicas que, no entanto, não estão incluídas entre os resíduos especiais para a maioria dos Países Europeus.



O sistema de refrigeração é de alta pressão. Contactar pessoal especializado no desmantelamento.

Os componentes do circuito de refrigeração não devem ser cortados e/ou separados antes que seja desligado o circuito, sendo a recuperação do gás refrigerante efetuada por pessoal qualificado.

EN

IT

FR

DE

ES

PT

Modello - Modèle - Model Modell - Modelo - Modelo	ZENITH VP - REMOTE CLOSED	 eptarefrigeration
Fabbricante - Constructeur - Manufacturer Hersteller - Fabricante - Fabricante	Epta Spa - Via Mecenate, 86 - 20138 Milano (MI) ITALIA Tel. 02/55403211 Telefax 02/55401023	26/27

11. ADVERTÊNCIAS GERAIS ADICIONAIS

Instruções para a instalação e manutenção corretas

As instruções de utilização e manutenção encontram-se no Manual do Utilizador disponível no site:

www.eptarefrigeration.com.

As instruções de instalação destinadas ao pessoal especializados estão disponíveis:

- Junto da rede de assistência
- Em algumas categorias de produto em papel entregue junto com o produto

Informações do produto

As informações do produto (EPREL) estão disponíveis acessando o site <https://eprel.eptarefrigeration.com> e seguindo as instruções indicadas para aceder à base de dados.

Garantia

O produto é coberto por garantia, nos termos de lei, por um período de 12 meses, a não ser se existirem acordos diferentes assinados explicitamente pelas partes.

Serviços profissionais de reparação

Os serviços são distribuídos pela nossa rede de assistência que pode ser consultada na área dos contactos no endereço web www.eptarefrigeration.com.

Peças sobresselentes

As peças sobresselentes e as informações para a reparação do aparelho estão disponíveis por pelo menos 8 anos depois do produto ter sido declarado fora de produção, no seguinte endereço web: www.epta-service.com/service. As credenciais de acesso são fornecidas a pedido a remeter por email para: servicesupport@eptarefrigeration.com.

Informação importante sobre os desperdícios de alimentos

Recomenda-se seguir com atenção as instruções de conservação indicadas nas embalagens dos produtos e as indicações fornecidas pelos produtores de alimentos.

Portanto, as seleções da temperatura devem ser adequadas às características de conservação dos produtos alimentares de acordo com as indicações que constam da nossa documentação técnica.

Utilizações não corretas podem causar deterioração.

Condições ambientais

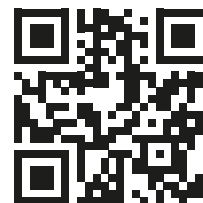
O presente aparelho foi projetado para funcionar em ambientes em que a temperatura e a humidade não excedem os limites previstos no Manual de utilização e manutenção.

Instruções para a desembalagem

Para a desembalagem é necessário dirigir-se a operadores profissionais.

O grupo Epta, desde sempre animado por um enfoque especial para o ambiente, disponibiliza para os usuários os manuais de eliminação e tratamento dos resíduos, que podem ser baixados a seguir.

- Acesse o site www.bonnetneve.com



- Acesse a seção **área técnica** do gabinete.

Modello - Modèle - Model Modell - Modelo - Modelo	ZENITH VP - REMOTE CLOSED	
Fabbricante - Constructeur - Manufacturer Hersteller - Fabricante - Fabricante	Epta Spa - Via Mecenate, 86 - 20138 Milano (MI) ITALIA Tel. 02/55403211 Telefax 02/55401023	27/27

Outras informações

Para maiores e detalhadas informações remeter-se a www.eptarefrigeration.com e à EPREL à qual se acede através do código QR presente ou na etiqueta energética do produto.



Limites de aplicação



Este balcão foi projetado para a utilização, transporte e armazenamento até uma altitude máxima de 2000 m sobre o nível do mar.

Armazenagem:

- Temperatura entre 15°C e 50°C
- Humidade relativa entre 20% e 90%
- Tempo máximo 6 meses

Transporte:

- Temperatura entre 20°C e 70°C
- Humidade relativa entre 20% e 90%
- Tempo máximo 2 meses

Utilização:

A classe climática de utilização é indicada na placa de características.

Abaixo segue um extrato da Norma de referência, que esclarece o significado dos caracteres alfanuméricos:

Classe climática	Temperatura de bulbo seco	Humidade relativa
[-]	[°C]	[%]
0	20	50
1	16	80
8	24	55
2	22	65
3	25	60
4	30	55
6	27	70
5	40	40
7	35	75

EXEMPLO Classe climática 3 significa 25°C / 60%HR

Desempenho



As condições ambientais exteriores necessárias para o correto funcionamento do balcão estão especificadas na placa de características.

Os desempenhos do balcão não são garantidos para além da sua utilização normal.



A temperatura mínima não deve ser inferior a 16°C.

