

KALEÏDO INTEGRAL

Mozaik



Product categories



Delicatessen



Cheese



Dairy products



Gastronomy



Pre-packed
fruit&veg

Technical features



Ventilated



Incorporated
condensing
unit



LED lighting



High efficiency
fans



Propane
refrigerant gas
(R290)

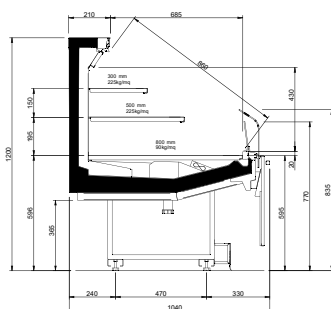


Off-cycle
defrost

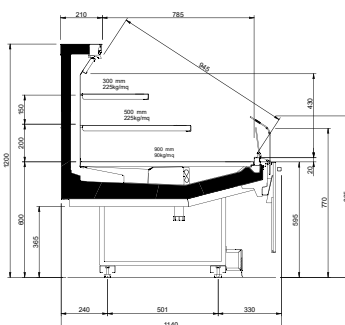
Product range

KALEĪDO INTEGRAL					
Lenght -Lunghezza Longueur-Länge-Longitud mm			1250	1875	2500
Height -Altezza-Hauteur-Höhe-Altura mm			1200	1200	1200
KALEĪDO INTEGRAL	DESIGN	E	•	•	•
		M	•	•	•
	STUDIO	E	•	•	•
		M	•	•	•
Display area Superficie di esposizione Warenpräsentationsfläche Surface d'exposition Superficie espositiva m ²		Efficia	1.39	2.10	2.79
		Modular	1.52	2.29	3.04
Loading area Superficie di appoggio Nutzfläche Surface de chargement Superficie de apoyo m ²		Efficia	1.30	1.95	2.60
		Modular	1.42	2.13	2.85
End thickness Spessore spalla Stärke der Seitenwand Épaisseur de cheque joue Espesor lateral mm		30.00 (+ 35 Batticarrello/Bumper Rail/Pare-choc/Wagenstoßleiste/Parachoques)			

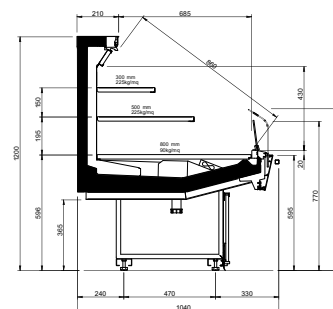
Cross sections



DESIGN - EFFICIA

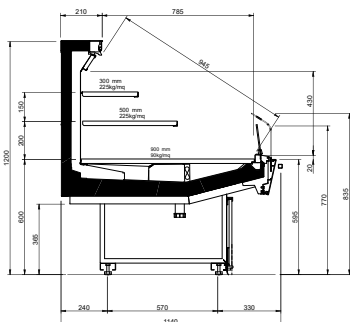


DESIGN - MODULAR



STUDIO - EFFICIA

Cross Sections



STUDIO - MODULAR