

# NORDICSTAR SV1 ICONIC

NordicStar



## Product categories

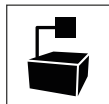


Frozen Food  
and Ice cream

## Technical features



Ventilated



Remote  
condensing unit



LED lighting



High efficiency  
fans




Off-cycle  
defrost

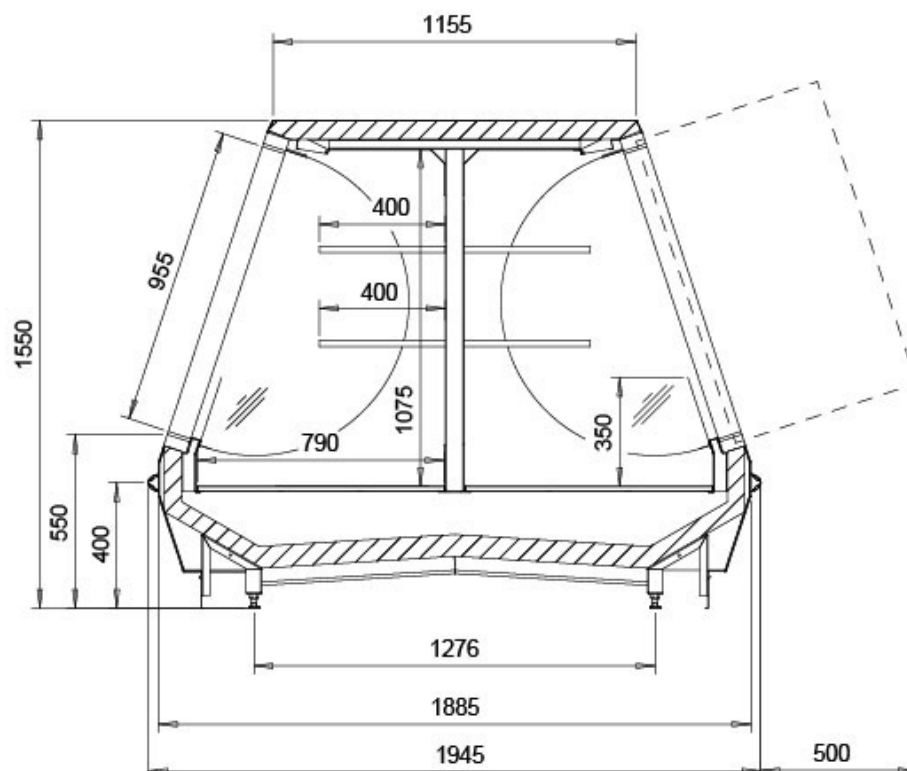
# NORDICSTAR SV1 ICONIC

NordicStar

## Product range

NordicStar SV1 Iconic	
Front height (mm)	550
External length (mm)	1875, 2500
External height (mm)	1550
External depth (mm)	1050, 1920
Temperature range (�C)	-23 to -21
Refrigerants	R744 (CO <sub>2</sub> )
Energy efficiency class	

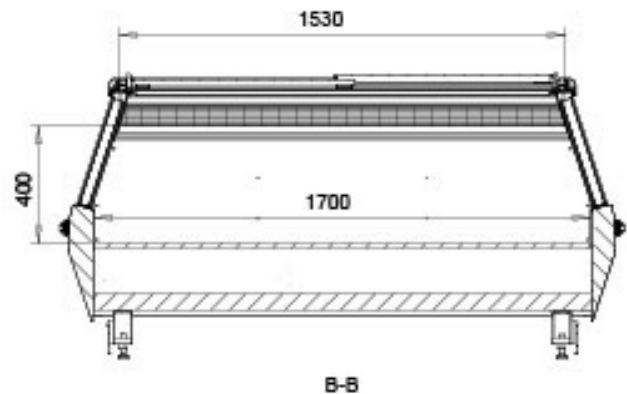
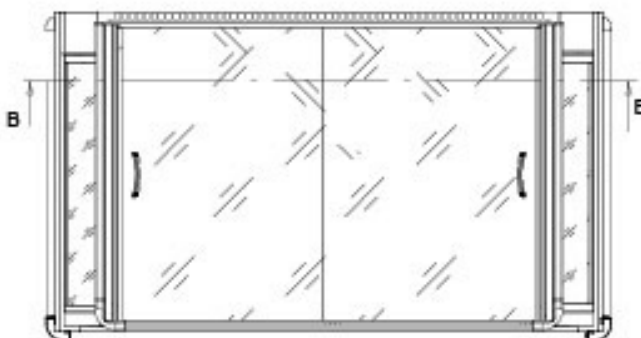
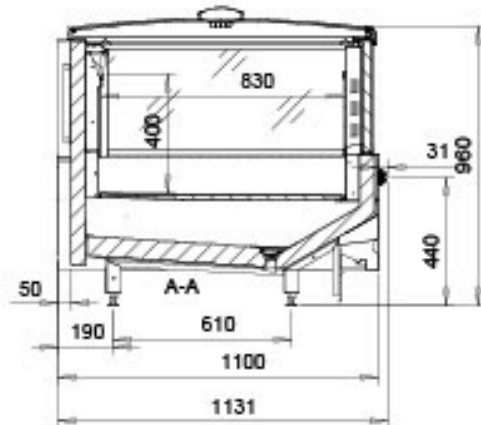
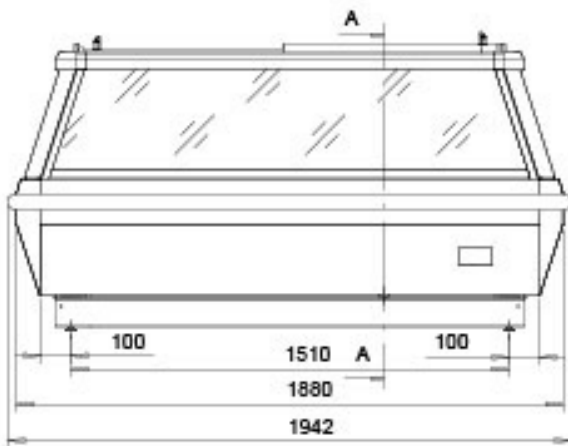
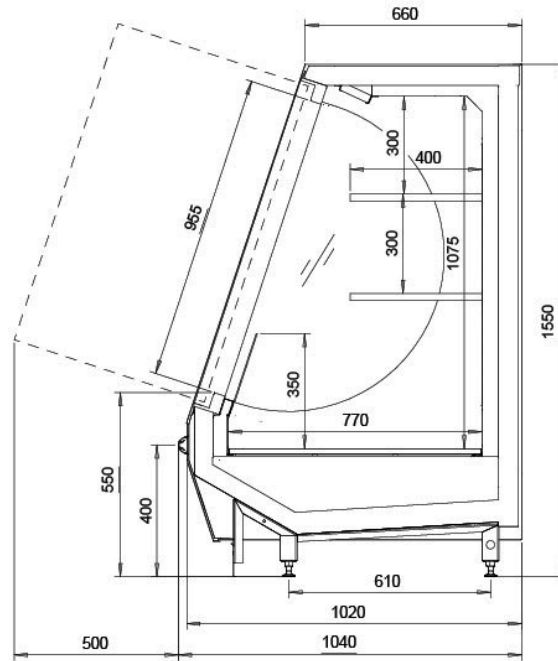
## Cross section



# NORDICSTAR SV1 ICONIC

NordicStar

## Cross section



# NORDICSTAR SV1 ICONIC

NordicStar

## Cross section

