



## Product categories

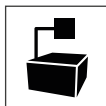


Frozen Food and Ice cream

## Technical features



Ventilated



Remote condensing unit



LED lighting



High efficiency fans



Electric defrost



ENERGY CLASS\*

## Certification and patents



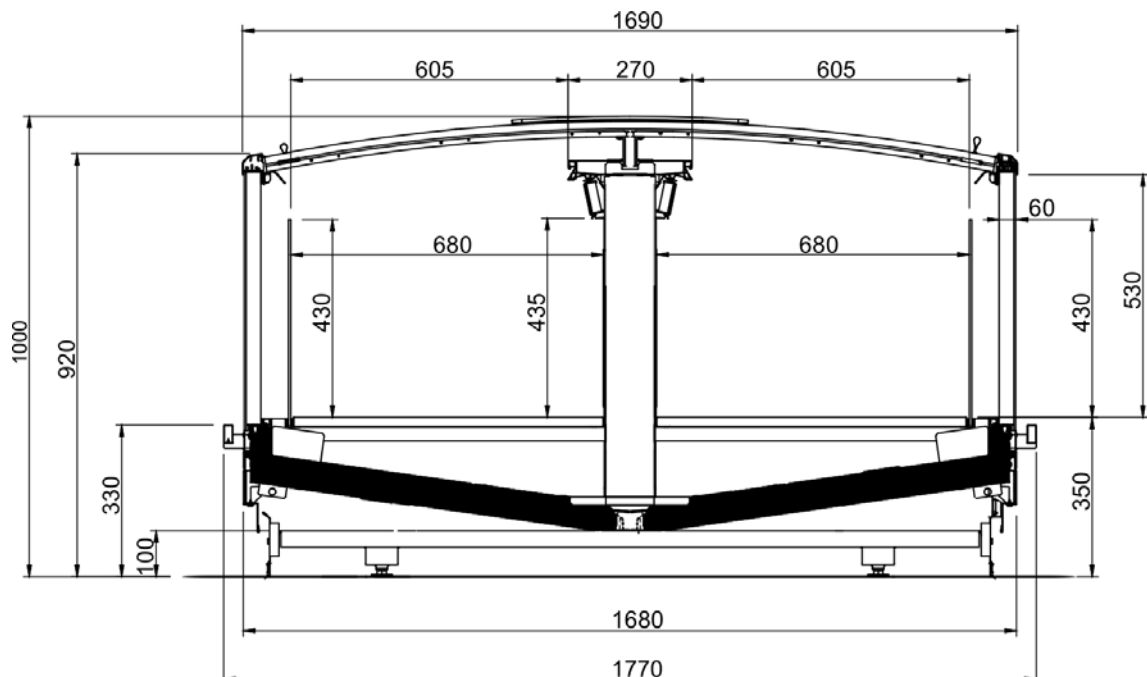
Epta S.p.A. participates in the ECC programme for: Refrigerated display cabinets (RDC). Check ongoing validity of certificate online: [www.eurovent-certification.com](http://www.eurovent-certification.com)

## Product range

SKYEXPO M				
<b>Length</b> -Lunghezza Longueur-Länge-Longitud mm	<b>1885</b>	<b>2500</b>	<b>3750</b>	<b>EOL 1690</b>
<b>SKYEXPO M</b>	•	•	•	•
<b>Display area</b> Superficie di esposizione Warenpräsentationsfläche Surface d'exposition Superficieexpositiva m2	3.72	4.99	7.49	2.21
<b>Loading area</b> Superficie di appoggio Nutzfläche Surface de chargement Superficie de apoyo m2	3.15	4.20	6.18	1.81
<b>Net storage capacity</b> Capacità netta Nutzinhalt volume utile Capacitat neta dm3	1099.41	1459.63	2192.96	538.96
<b>End thickness</b> Spessore spalla Stärke der Seitenwand Épaisseur de cheue joue Espesor lateral mm	Spalla panoramica/Panoramic end/Joue panoramique/ Verglaste Seitenwand/ Lateral panorámico: 70.00 (+104 batticarrello/bumper rail/pare-chocs/Stoßstange/ parachoque)			

## Cross sections

### LINEAR



## Cross Sections

### EOL

