

SKYEXPO V SLIDING



Product categories

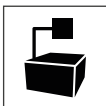


Frozen Food
and Ice cream

Technical features



Ventilated



Remote
condensing unit



LED lighting



High efficiency
fans



Electric defrost



ENERGY CLASS*

Certification and patents



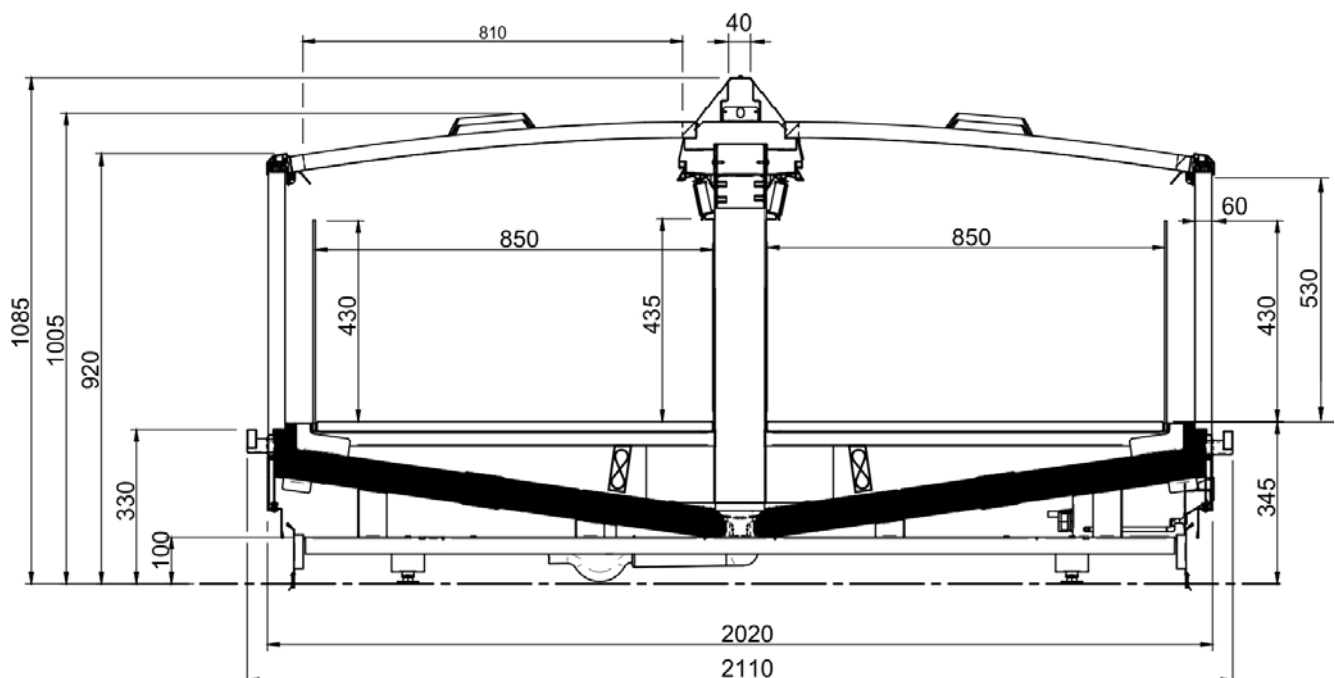
Epta S.p.A. participates in the ECC programme for:
Refrigerated display cabinets (RDC). Check ongoing validity
of certificate online: www.eurovent-certification.com

Product range

SKYEXPO V S				
Leng -Lunghezza Longueur-Länge-Longitud mm	1885	2500	3750	EOL 2030
SKYEXPO V S	•	•	•	•
Disp area Superficie di esposizione Warenpräsentationsfläche Surface d'exposition Superficieexpositiva m2	4.324	5.806	8.709	2.57
Loading area Superficie di appoggio Nutzfläche Surface de chargement Superficie de apoyo m2	3.78	5.05	7.57	2.82
Net storage capacity Capacità netta Nutzinhalt volume utile Capacitat neta dm3	1374.35	1824.64	2741.36	658.41
End thickness Spessore spalla Stärke der Seitenwand Épaisseur de cheue joue Espesor lateral mm	Spalla panoramica/Panoramic end/Joue panoramique/ Verglaste Seitenwand/ Lateral panorámico: 70.00 (+104 batticarrello/bumper rail/pare-chocs/Stoßstange/ parachoque)			

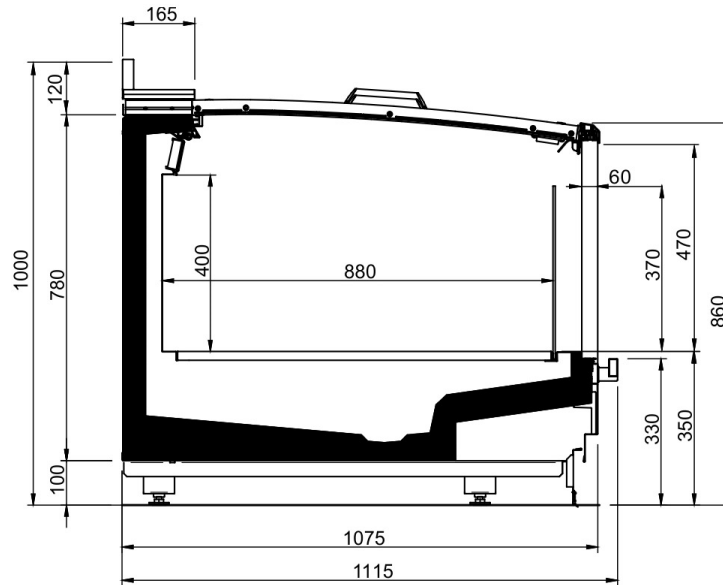
Cross sections

LINEAR SLIDING

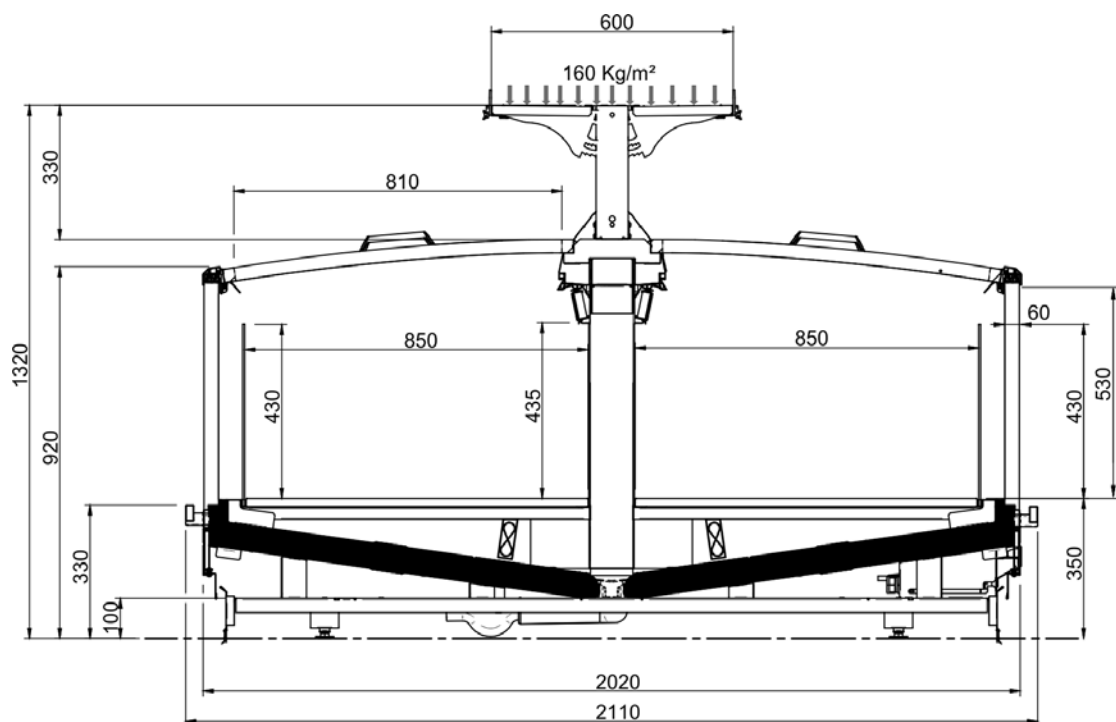


Cross Sections

EOL SLIDING



LINEAR SLIDING + 1 SHELF



Cross Sections

LINEAR SLIDING + S SHLEVES

