

DUALIO M

Mozaik / Serve-over counters

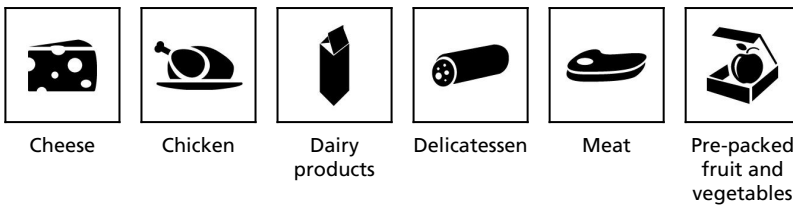
Serve-over



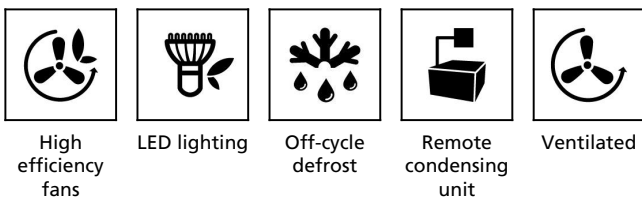
BEST ENERGY CLASS*



Product Categories



Technical Features



DUALIO M

Mozaik / Serve-over counters

Serve-over



Product Range

| DUALIO M | | | | | |
|---|-------------|-------------|-------------|-------------|---------------------|
| Lenght -Lunghezza Longueur-Länge-Longitud mm | 1250 | 1875 | 2500 | 3750 | EOL 1890 |
| LOADING LINE 235 | • | • | • | • | • |
| MAX - LOADING LINE 365 | • | • | • | • | • |
| Dispaly area Superficie di esposizione Warenpräsentationsfläche Surface d'exposition Superficie expositiva m2 | 2.29 | 3.45 | 4.58 | 6.87 | 1,88 |
| Loading area Superficie di appoggio Nutzfläche Surface de chargement Superficie de apoyo m2 | 2.36 | 3.54 | 4.72 | 7.08 | 1.6 |
| End thickness Spessore spalla Stärke der Seitenwand Épaisseur de cheque joue Espesor lateral mm | 50.00 | | | | |

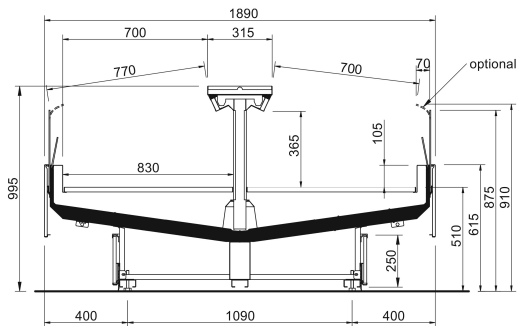
DUALIO M

Mozaik / Serve-over counters

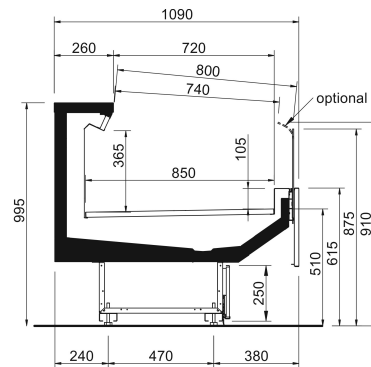
Serve-over



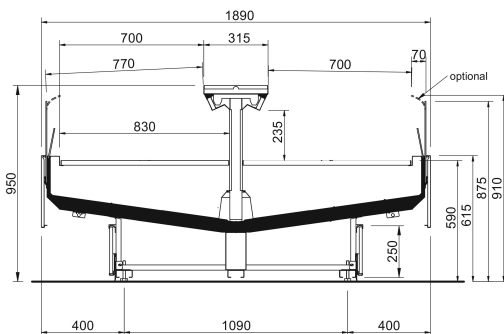
Cross Sections



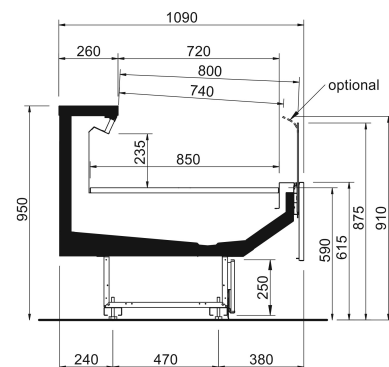
Dualio M_MAX_linear



Dualio M_MAX_EOL



Dualio M_STD_linear



Dualio M_STD_MT

DUALIO M

Mozaik / Serve-over counters

Serve-over



*The information on the energy class (according to EU regulations 2019/2018 and EU 2019/2024) reported here refers to standard models and precise product configurations and set-ups. The site is based on the information available at the time of publication. As the energy class depends on the specific product configuration, despite the efforts made to ensure the greatest possible accuracy, the real data can differ significantly from the data declared here. For further information, we invite you to consult the European Product Database for Energy Labelling (EPREL) or to contact our Sales Office.