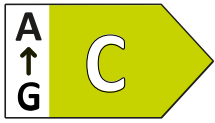


LATITUDE

Complementaries / Serve-over counters

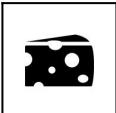
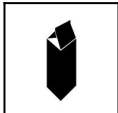
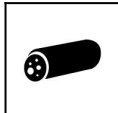




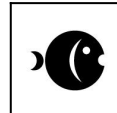


Retail Plug-in - Serve-over



BEST ENERGY CLASS*



Product Categories

-  Cheese
-  Dairy products
-  Delicatessen
-  Fruit and Vegetables
-  Gastronomy
-  Meat
-  Pastries
-  Pre-packed fish
-  Pre-packed fruit and vegetables
-  Sandwiches

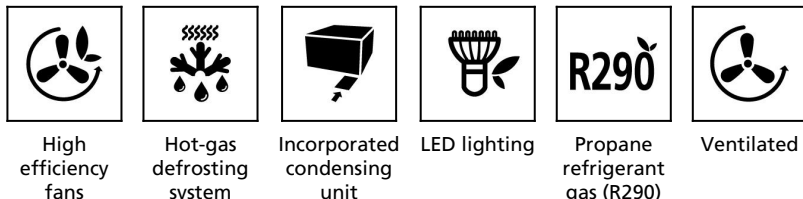


Chicken

LATITUDE

Complementaries / Serve-over counters
Retail Plug-in - Serve-over

Technical Features



Certification and Patents



Epta
Adamant

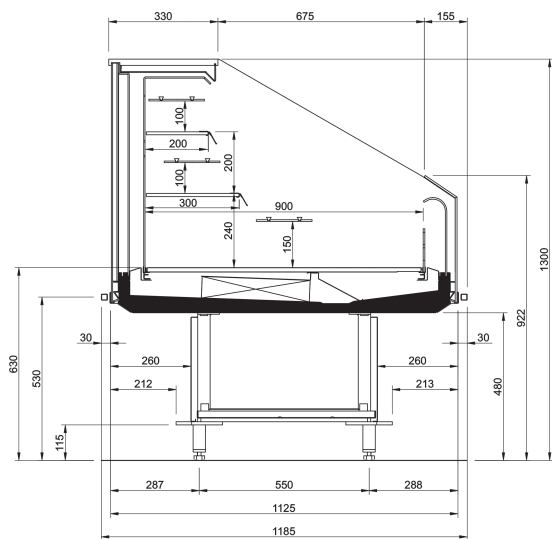
Product Range

LATITUDE												
LATITUDE	LS		LS CLOSED		LS MAXI		SV			DOUBLE	SERVE OVER	
	Modular		Modular	Volum	Modular	Volum	Modular 1S	Modular 2S	Volum 2S			Modular
	900	1250	1250	1250	1250	1250	1250	1250	1250	1250	1250	1250
•	•	•	•	•	•	•	•	•	•	•	•	•
Display area Superficie di esposizione Warenpräsentations- fläche Surface d'exposition Superficie expositiva m2	0.93	1.22	1.5	1.38	1.67	1.22 (LDC 100) 1.51 (LDC 175) 1.70 (LDC 225)	1.50 (LDC 100) 1.82 (LDC 175) 2.03 (LDC 225)	1.94	25.3	2.83	1.02 (LDC 100) 2.28 (LDC 175)	0.86 (LDC 100) 1.06 (LDC 175)
Loading area Superficie di appoggio Nutzfläche Surface de chargement Superficie de apoyo m2	0.85	1.12	1.40	1.12	1.40	1.16	1.41	1.12	1.12	1.40	1.91	1.12
Net storage capacity Capacità netta Nutzinhalt volume utile Capacitat neta dm3	62 (LDC 100) 108 (LDC 175)	84 (LDC 100) 147 (LDC 175)	108 (LDC 100) 189 (LDC 175)	147 (LDC 175)	189 (LDC 175)	84 (LDC 100) 147 (LDC 175) 189 (LDC 225)	108 (LDC 100) 189 (LDC 175) 244 (LDC 225)	120	186	222	144 (LDC 100) 25 (LDC 175)	84 (LDC 100) 147 (LDC 175)
Dimensions Dimensioni Größe Dimensions Dimensiones LxHxP mm	925 920 925	1250 920 925	1250 920 1125	1250 990 925	1250 990 1125	1250 990 925	1250 990 1125	1250 1200 925	1250 1300 925	1250 1300 1125	1250 920 1525	1250 1270 925

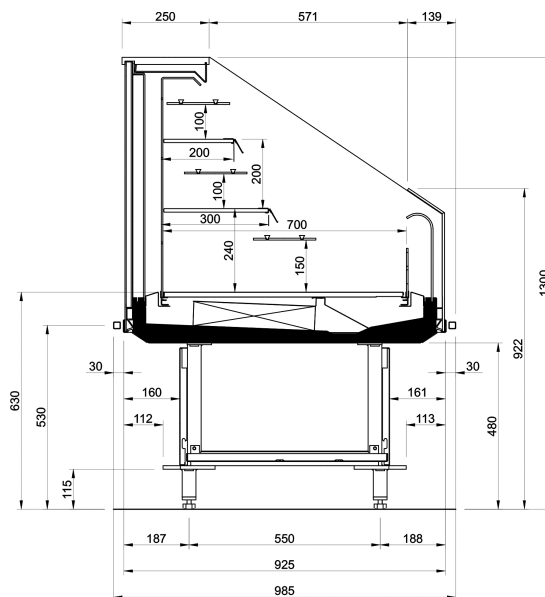
LATITUDE



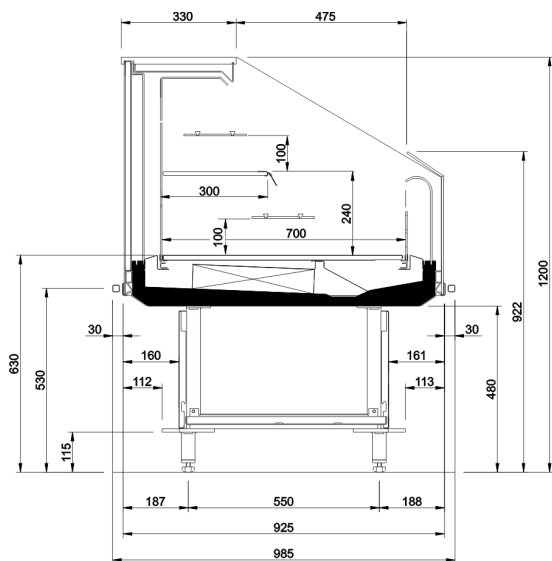
Complementaries / Serve-over counters
Retail Plug-in - Serve-over



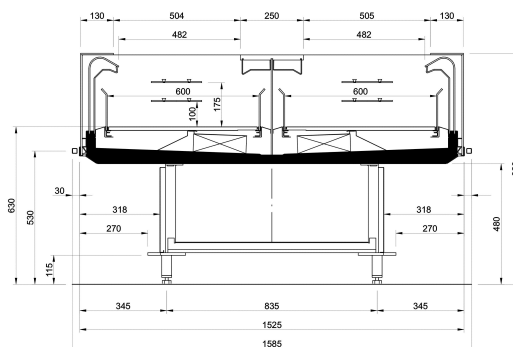
LATITUDE SV 2S VOLUM



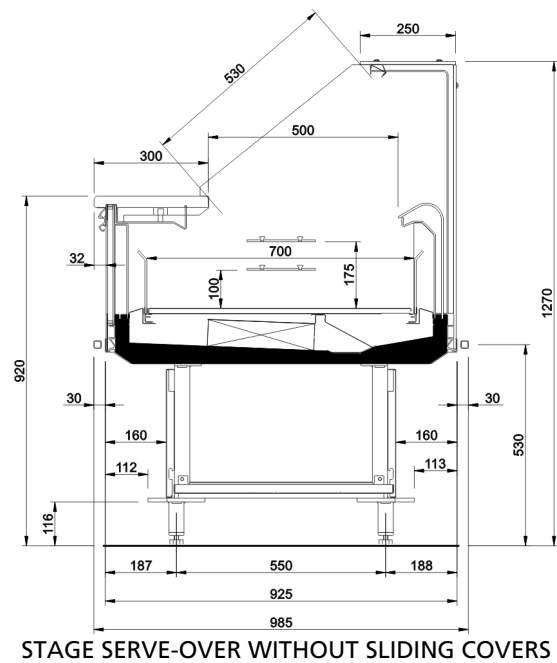
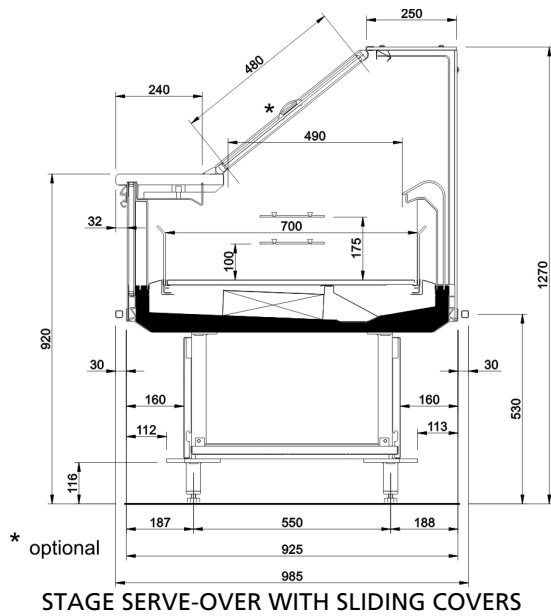
LATITUDE SV 2S MODULAR



LATITUDE SV 1S MODULAR



LATITUDE LS DOUBLE



*The information on the energy class (according to EU regulations 2019/2018 and EU 2019/2024) reported here refers to standard models and precise product configurations and set-ups. The site is based on the information available at the time of publication. As the energy class depends on the specific product configuration, despite the efforts made to ensure the greatest possible accuracy, the real data can differ significantly from the data declared here. For further information, we invite you to consult the European Product Database for Energy Labelling (EPREL) or to contact our Sales Office.