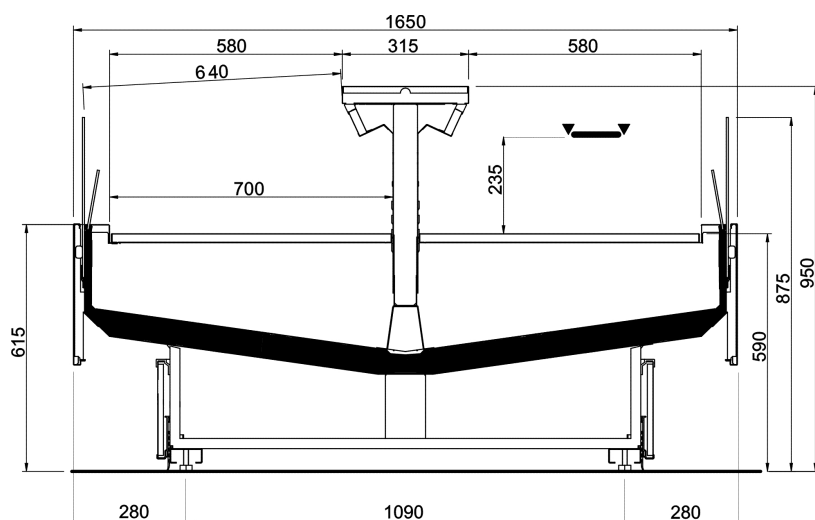


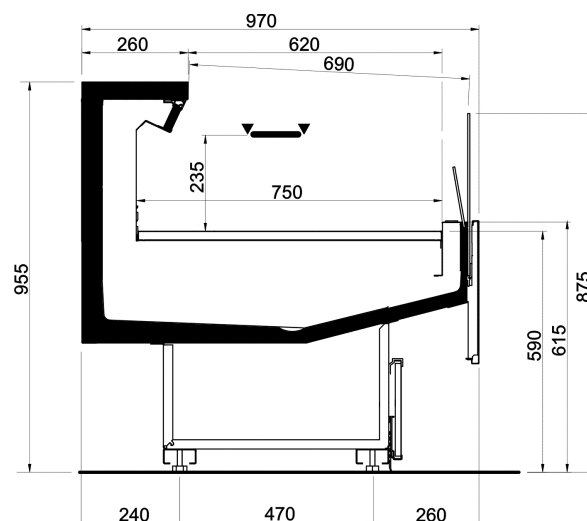


DUALIO E					
Lenght -Lunghezza Longueur-Länge-Longitud mm	1250	1875	2500	3750	EOL 1650
LL-235	•	•	•	•	•
MAX LL-365	•	•	•	•	•
Dispaly area Superficie di esposizione Warenpräsentationsfläche Surface d'exposition Superficie expositiva m2	1.75	2.62	3.5	5.25	1.16
Loading area Superficie di appoggio Nutzfläche Surface de chargement Superficie de apoyo m2	2.06	3.09	4.12	6.18	1.6
End thickness Spessore spalla Stärke der Seitenwand Épaisseur de cheque joue Espesor lateral mm	50.00				

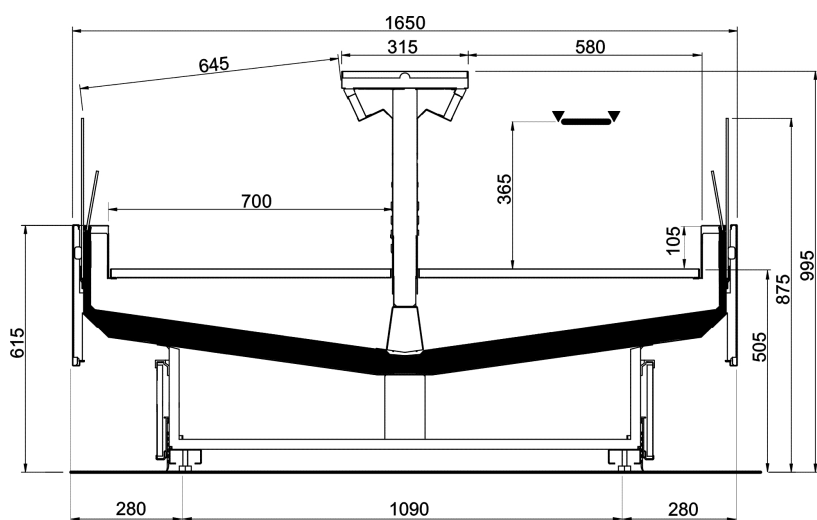
DUALIO E



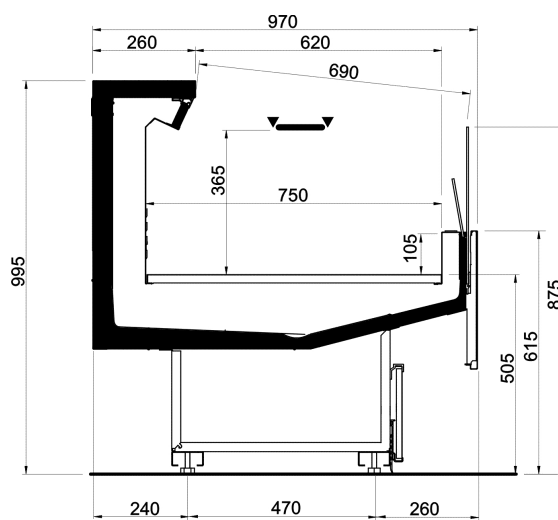
DUALIO E EOL



DUALIO E MAX



DUALIO E MAX EOL



Legend

 Meat	 Chicken	 Fish	 Pre-packed fish
 Delicatessen	 Cheese	 Dairy products	 Gastronomy
 Pastries	 Pre-packed fish	 Fruits and Vegetables	 Sandwiches
 Drinks	 Pizza	 Bread	 Frozen food and ice cream
 Off-cycle defrost	 Electric defrost	 Hot-gas defrosting system	 Manual defrost
 Ventilated	 Static	 Incorporated condensing unit	 Remote condensing unit
 Bagnomaria	 Ceramic glass	 Ice	 VSD Inverter technology
 LED lighting	 Zero C doors	 High efficiency fans	 R290 Propane refrigerant gas (R290)
 R134a - 400V/3PH/50Hz	 R404A - 400V/3PH/50Hz	 R744 - 400V/PH/50Hz	 Semi-hermetic reciprocating compressor
 Hermetic scroll compressor	 Compressor hermetic reciprocating	 External installation	 Machinery room
 Soundproof housing	 On board condenser	 Remote condenser	 DUAL Medium & Low temperature