



Epta S.p.A. participates in the ECC programme for Refrigerated display cabinets (RDC). Check ongoing validity of certificate online: www.eurovent-certification.com or using: www.certiflash.com

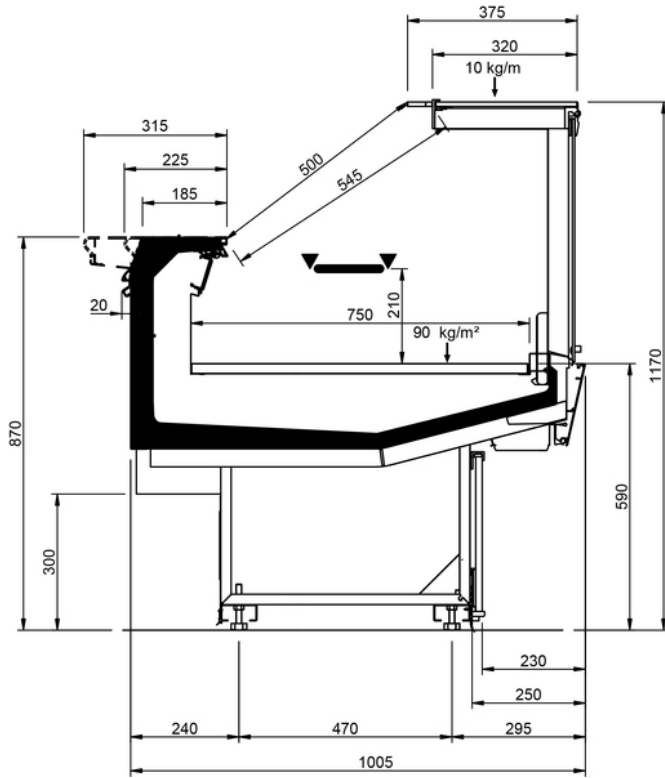


Shape E Studio

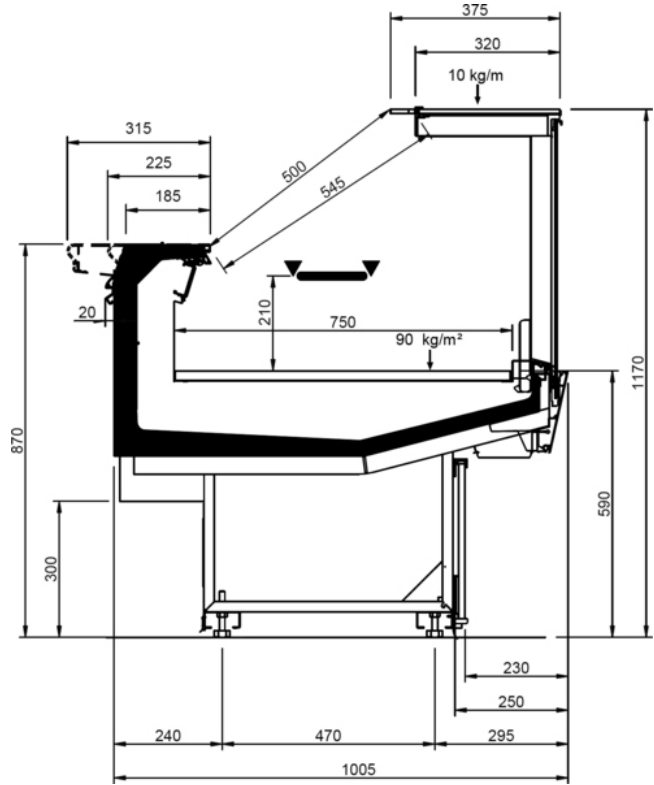
| Shape E Studio | | | | | | | | | | |
|----------------|-----|------|------|------|------|------|--------|--------|--------|---|
| Length mm | 937 | 1250 | 1875 | 2500 | 3125 | 3750 | AO 90° | AO 45° | AF 45° | |
| Shape E Studio | DD | • | • | • | • | • | • | | | |
| | LD | • | • | • | • | | • | • | | |
| | ODF | • | • | • | • | | • | • | • | |
| | DDP | • | • | • | • | | • | • | • | • |
| | DC | • | • | • | • | • | • | • | • | • |
| | LS | • | • | • | • | • | • | • | • | • |

Shape E Studio

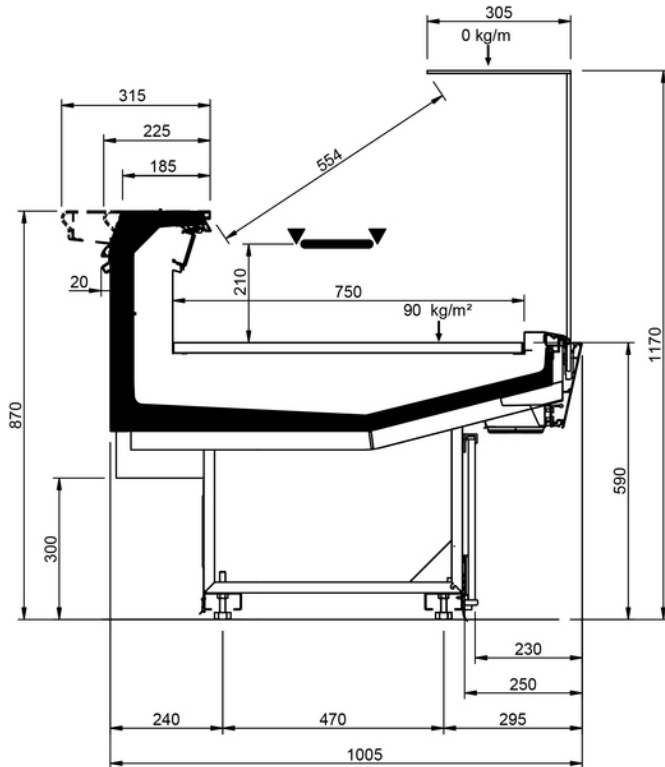
LD



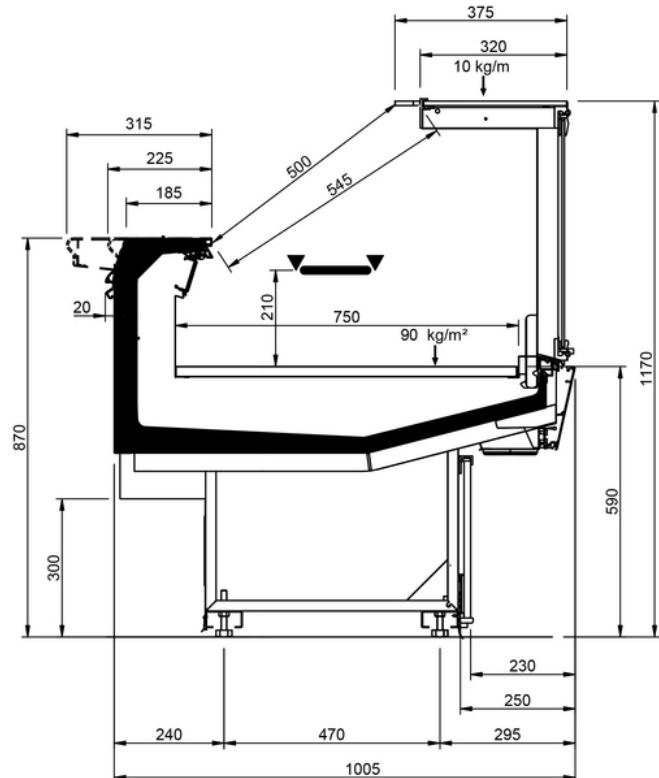
DD



DDP

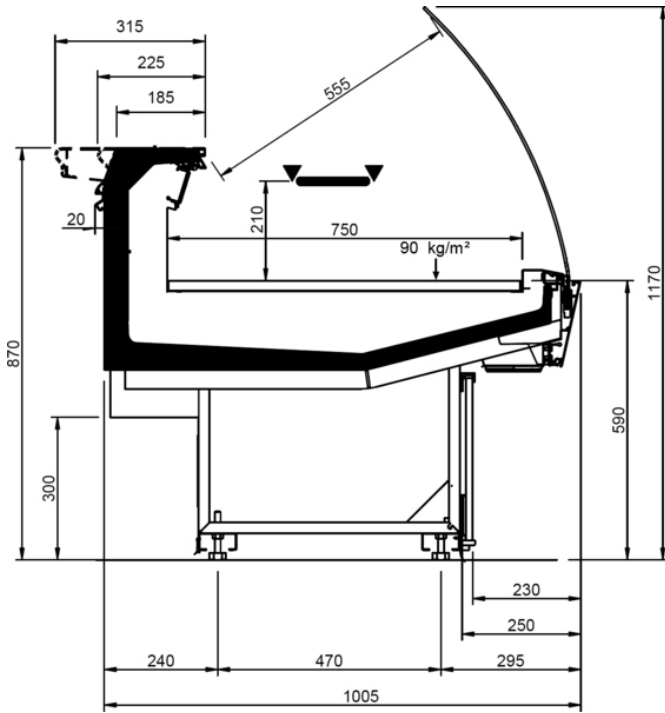


ODF

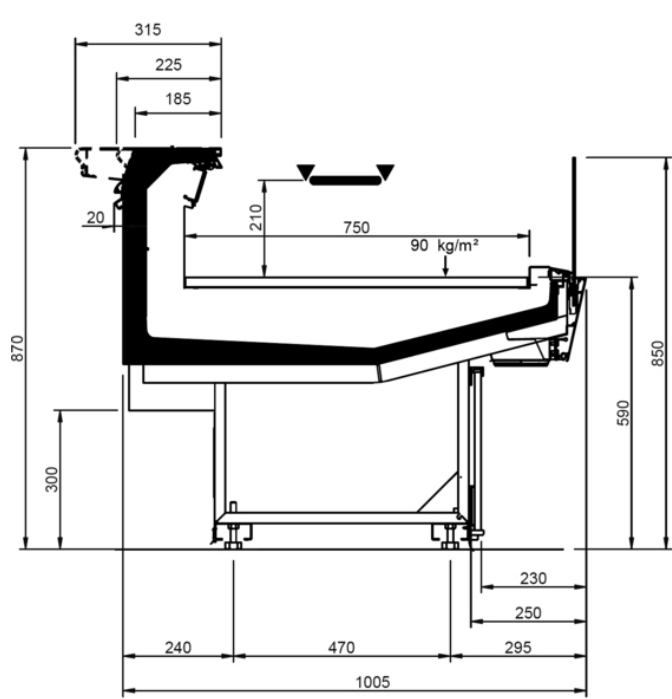


Shape E Studio

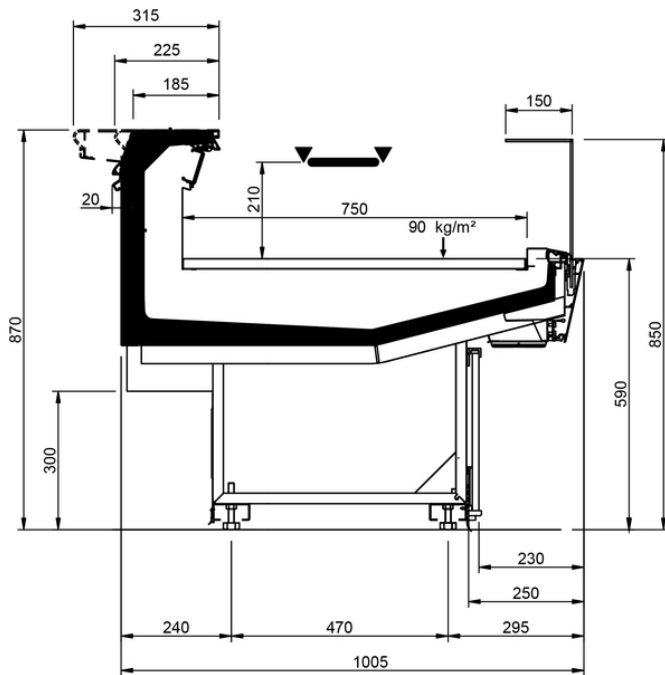
DC



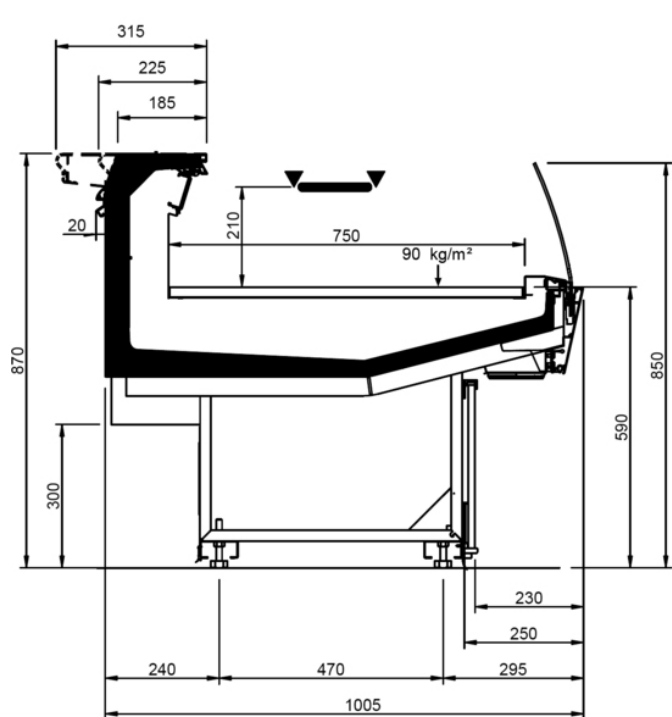
LS-D



LS-P



LS-C



Legend

| | | | |
|---|---|--|--|
|  Meat |  Chicken |  Fish |  Pre-packed fish |
|  Delicatessen |  Cheese |  Dairy products |  Gastronomy |
|  Pastries |  Pre-packed fish |  Fruits and Vegetables |  Sandwiches |
|  Drinks |  Pizza |  Bread |  Frozen food and ice cream |
|  Off-cycle defrost |  Electric defrost |  Hot-gas defrosting system |  Manual defrost |
|  Ventilated |  Static |  Incorporated condensing unit |  Remote condensing unit |
|  Bagnomaria |  Ceramic glass |  Ice |  VSD Inverter technology |
|  LED lighting |  Zero C doors |  High efficiency fans |  R290 Propane refrigerant gas (R290) |
|  R134a R-134a - 400V/3PH/50Hz |  R404A R404A - 400V/3PH/50Hz |  R744 R744 - 400V/PH/50Hz |  Semi-hermetic reciprocating compressor |
|  Hermetic scroll compressor |  Compressor hermetic reciprocating |  External installation |  Machinery room |
|  Soundproof housing |  On board condenser |  Remote condenser |  DUAL Medium & Low temperature |