

Shape M Perform



Epta S.p.A. participates in the ECC programme for Refrigerated display cabinets (RDC). Check ongoing validity of certificate online: www.eurovent-certification.com or using: www.certiflash.com

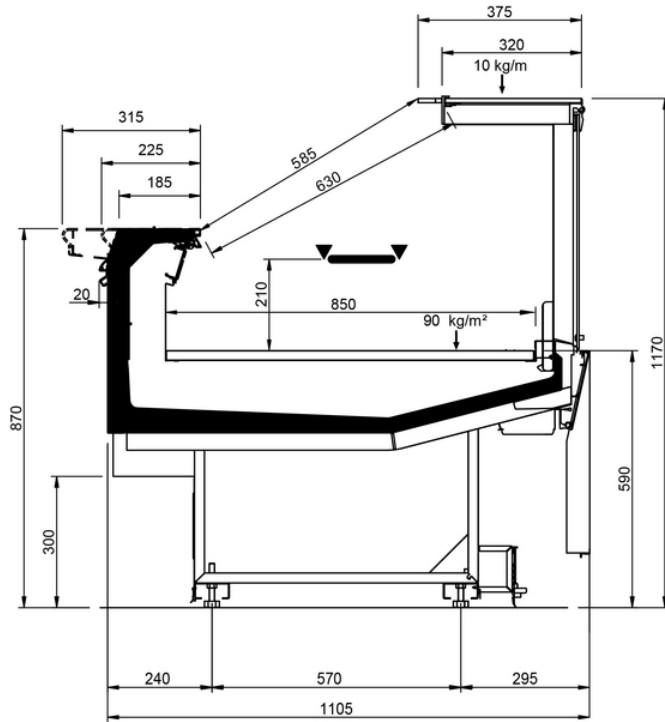


Shape M Perform

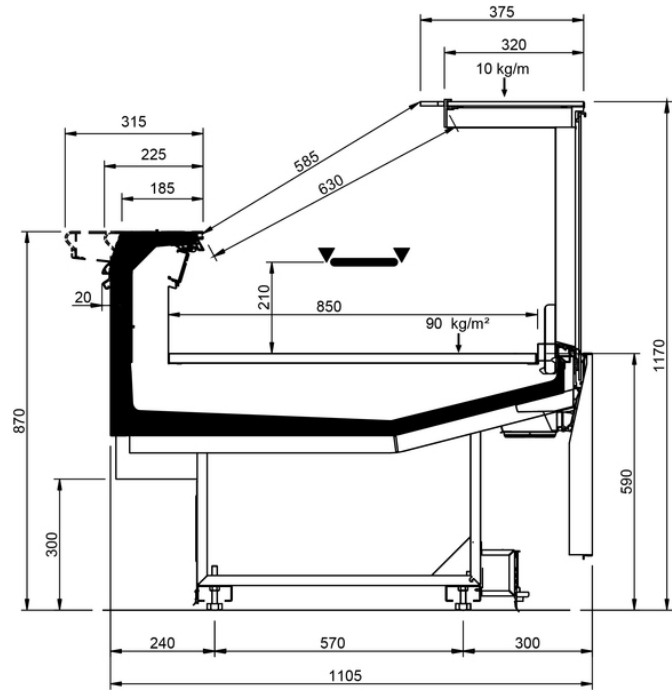
Shape M Perform									
Length mm		1250	1875	2500	3125	3750	AO 90	AO 45	AF 45
Shape M Perform	DD	•	•	•	•	•			
	LD	•	•	•		•	•	•	
	ODF	•	•	•		•		•	•
	DDP	•	•	•		•	•	•	•
	LC	•	•	•	•	•	•	•	•

Shape M Perform

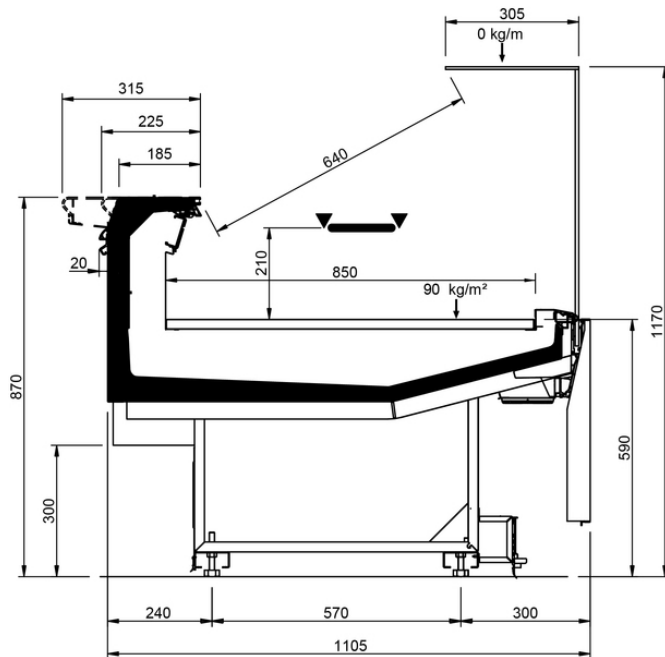
LD DESIGN



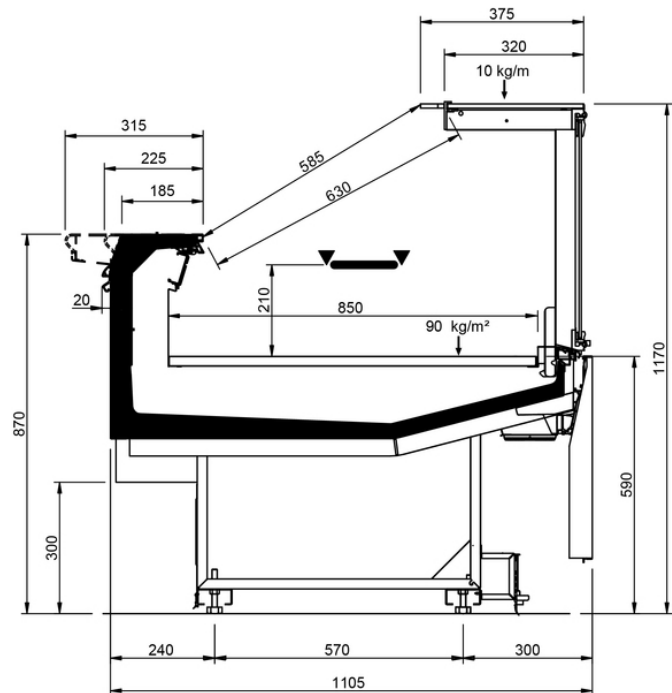
DD DESIGN



DDP DESIGN

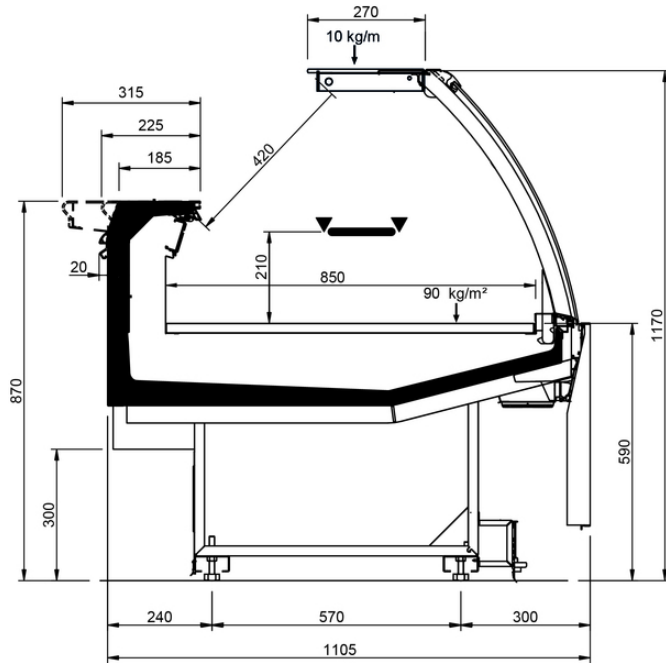


ODF DESIGN

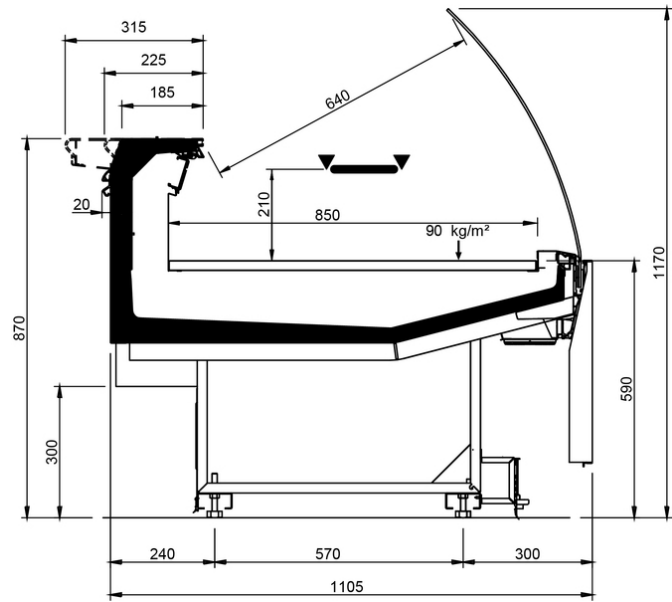


Shape M Perform

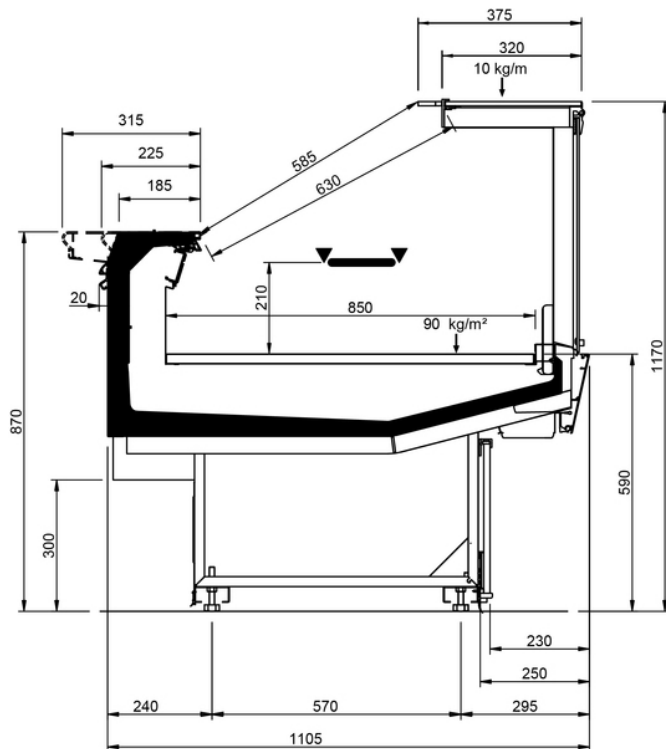
LC DESIGN



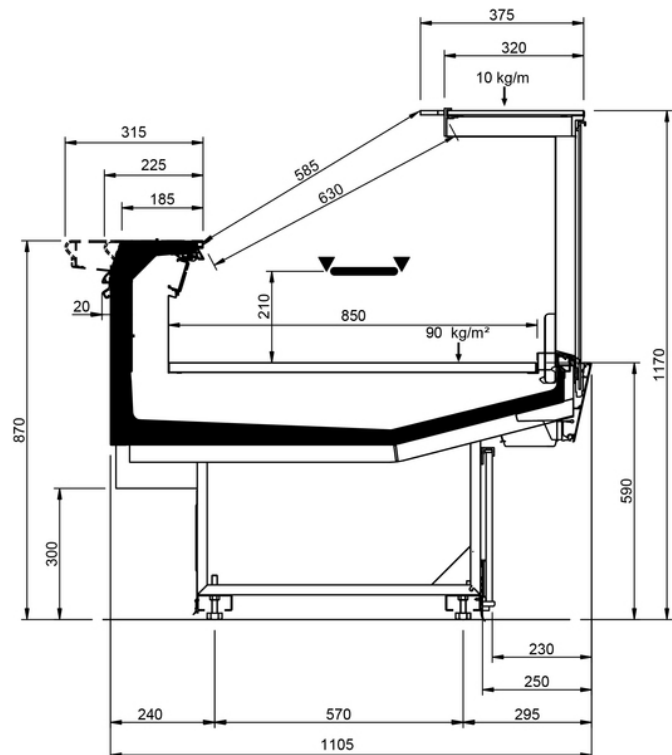
DC DESIGN



LD STUDIO

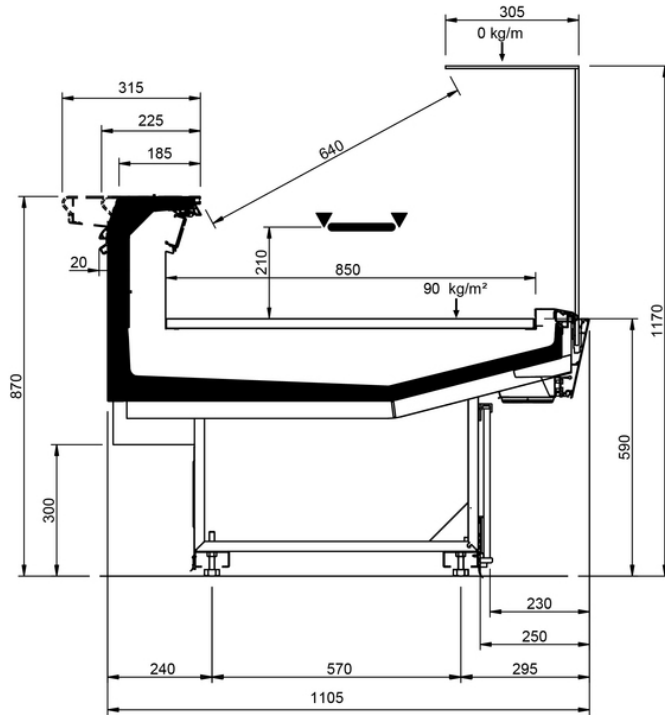


DD STUDIO

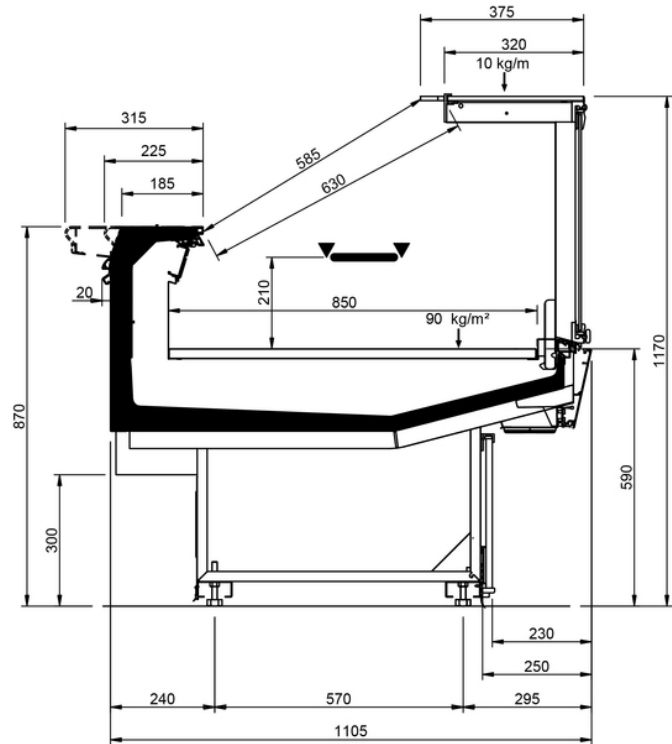


Shape M Perform

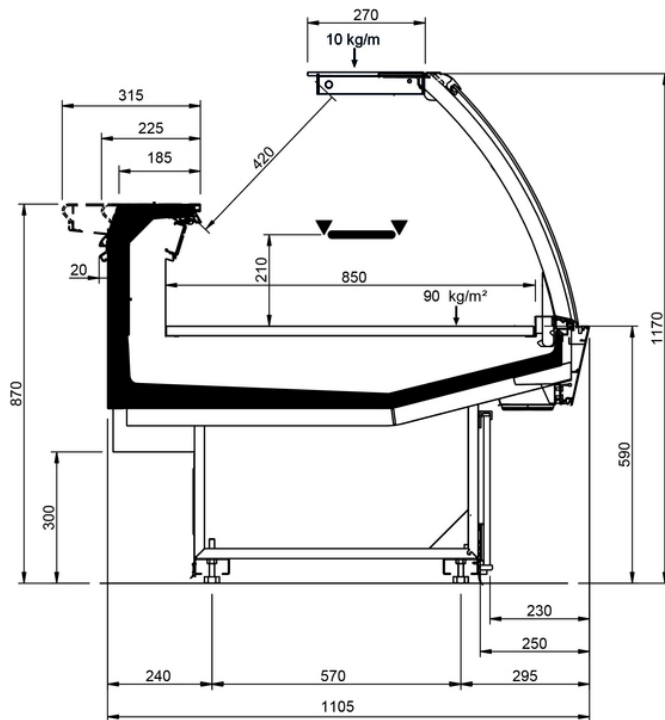
DDP STUDIO



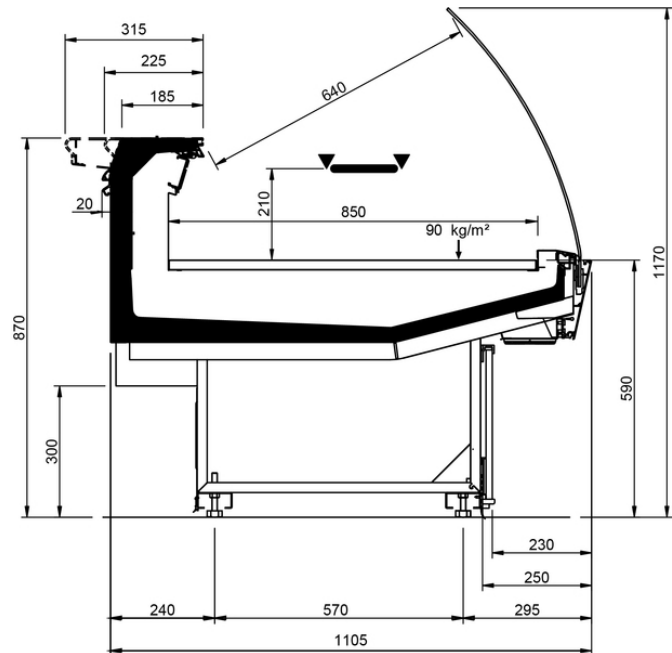
ODF STUDIO



LC STUDIO

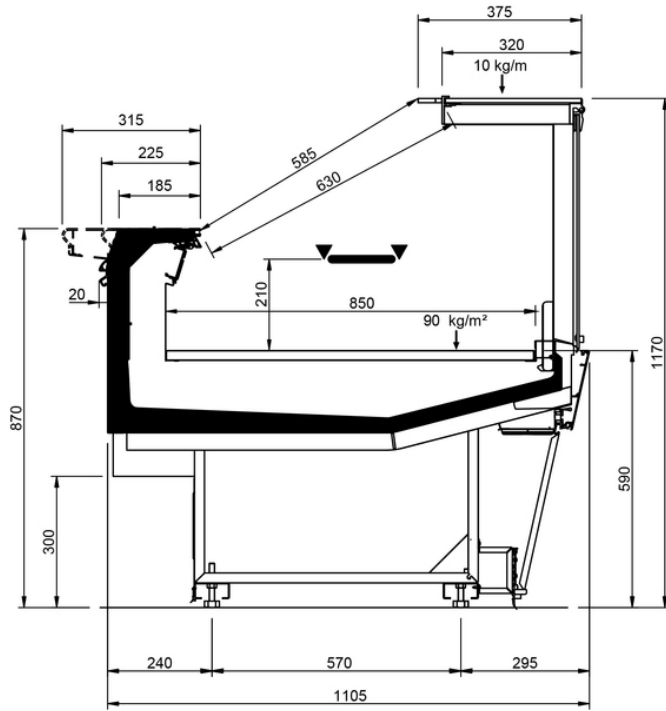


DC STUDIO

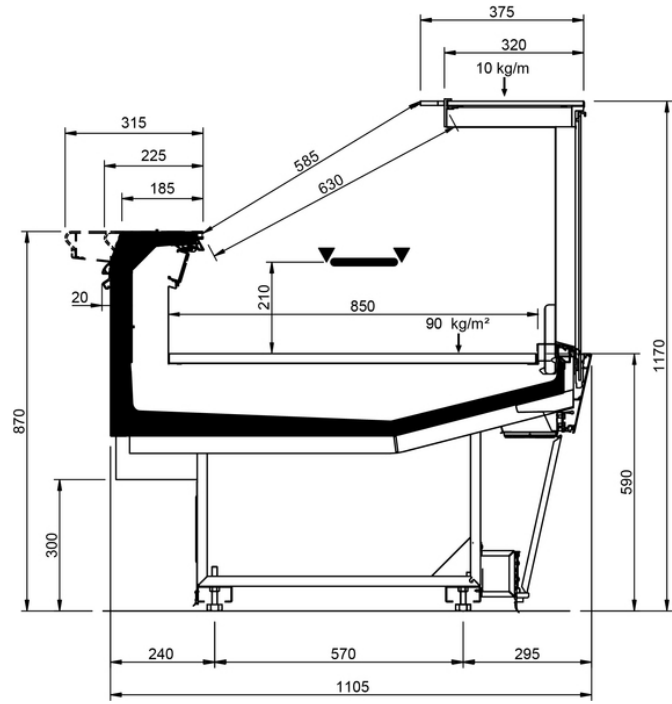


Shape M Perform

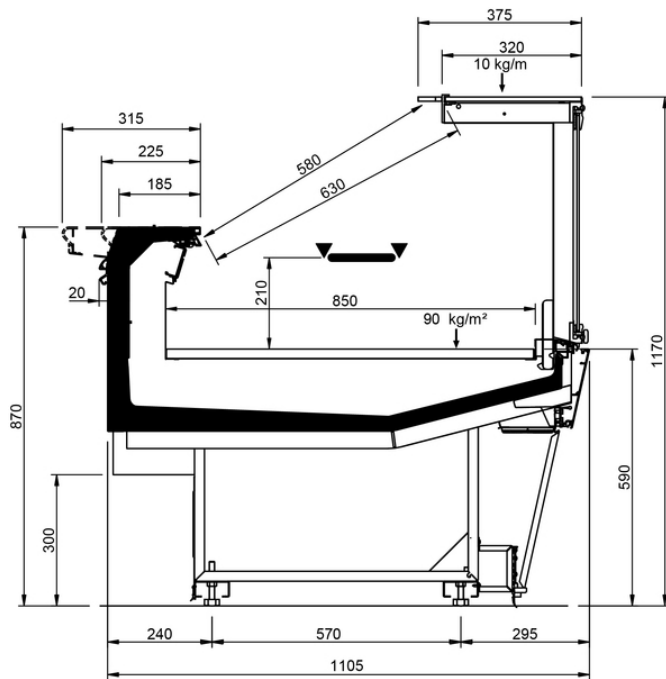
LD STYLE



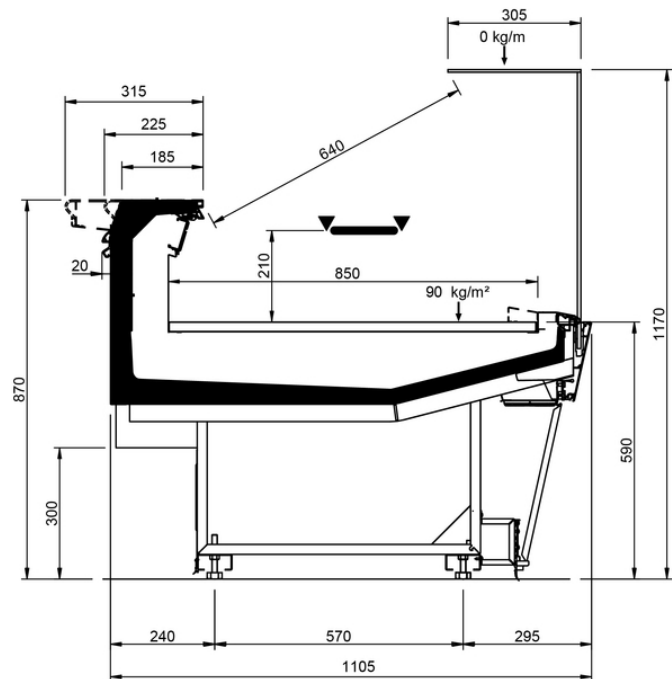
DD STYLE



ODF STYLE

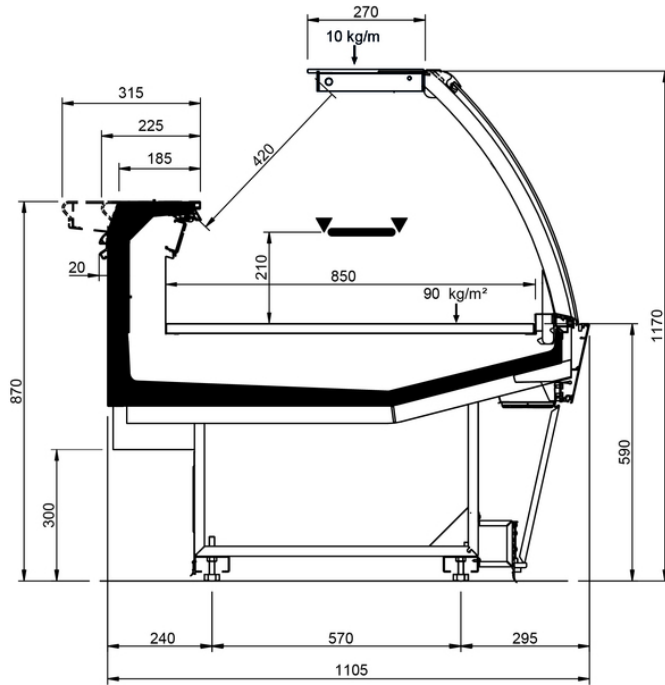


DDP STYLE

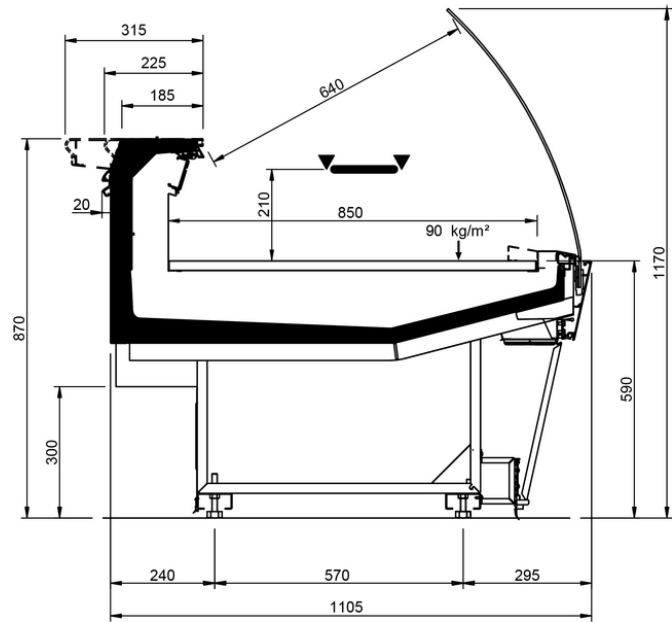


Shape M Perform

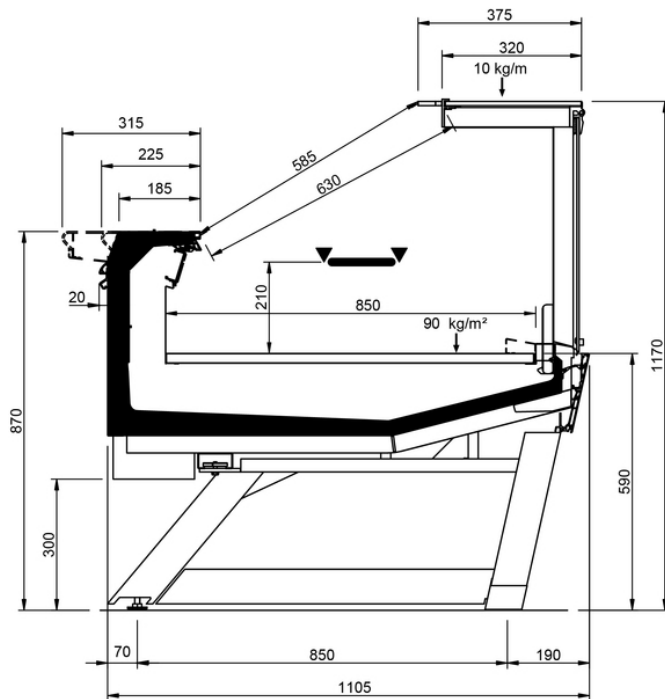
LC STYLE



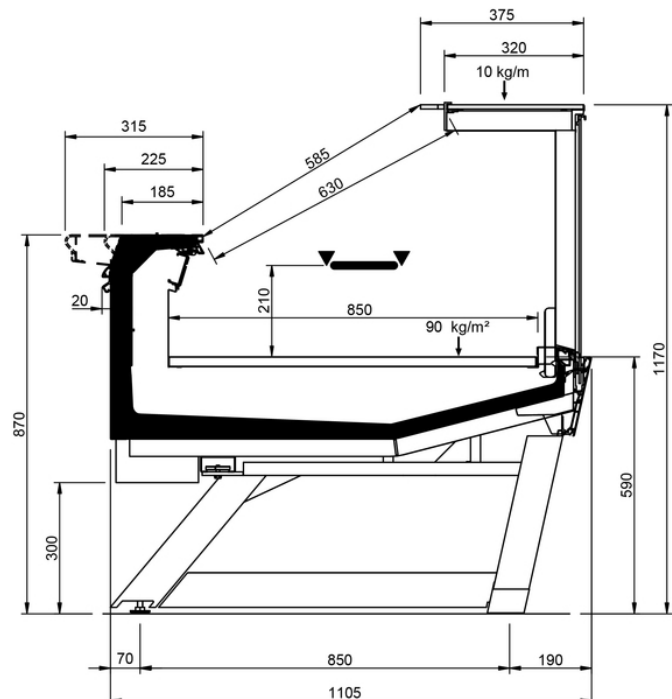
DC STYLE



LD LEGS

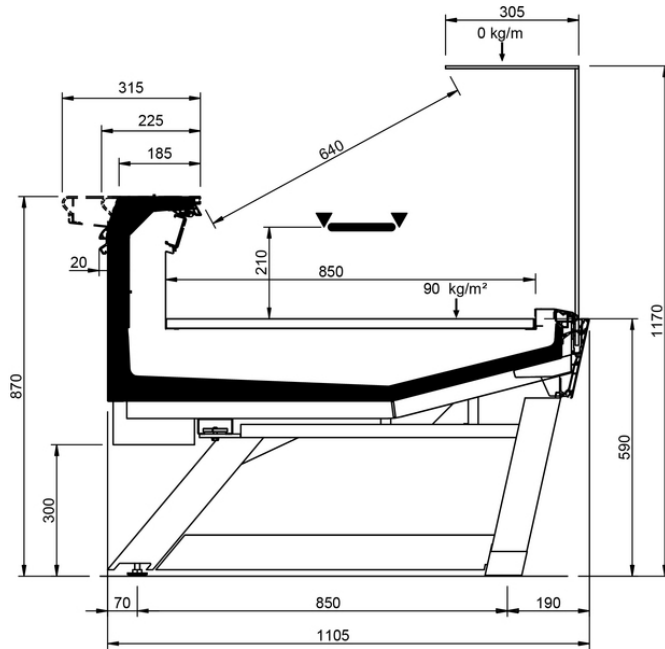


DD LEGS

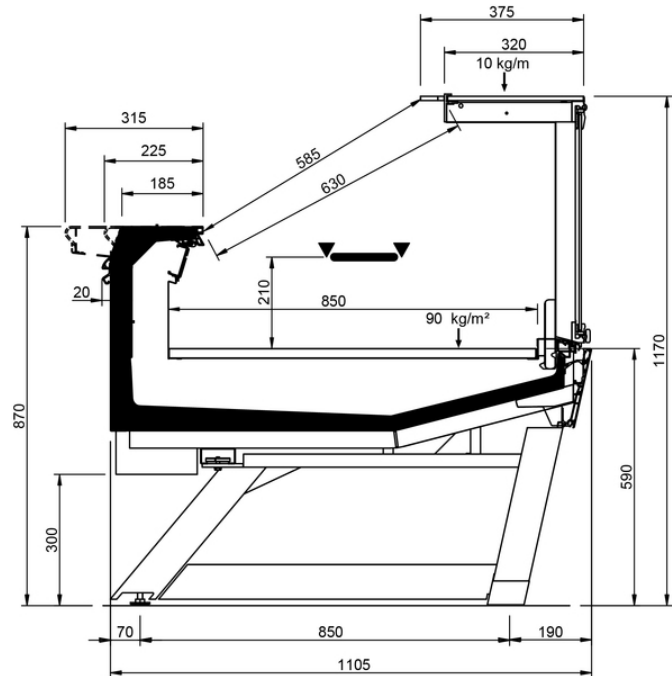


Shape M Perform

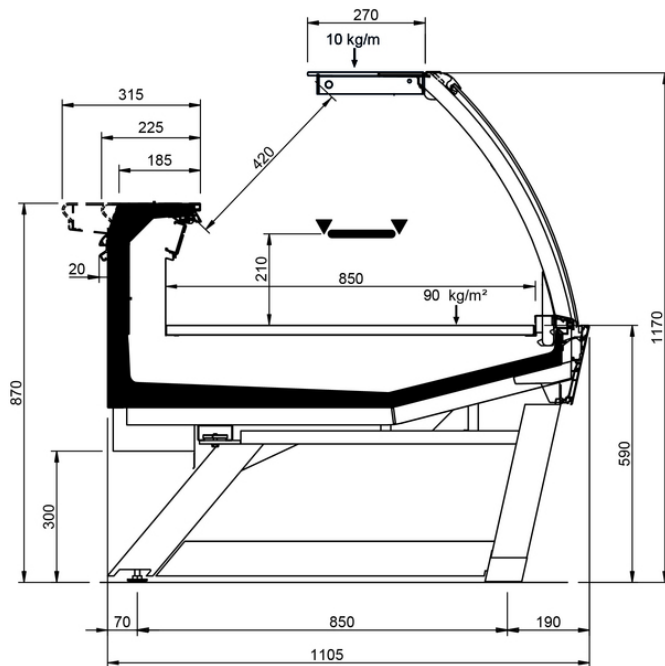
DDP LEGS



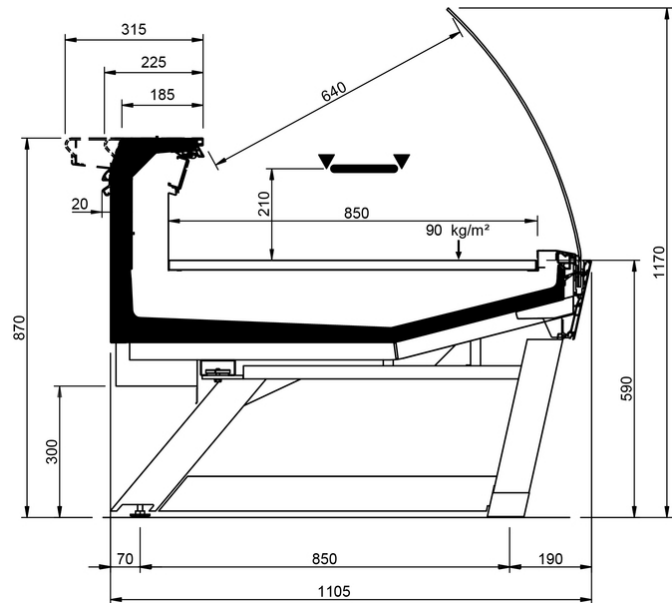
ODF LEGS



LC LEGS



DC LEGS



Shape M Perform

Legend

 Meat	 Chicken	 Fish	 Pre-packed fish
 Delicatessen	 Cheese	 Dairy products	 Gastronomy
 Pastries	 Pre-packed fish	 Fruits and Vegetables	 Sandwiches
 Drinks	 Pizza	 Bread	 Frozen food and ice cream
 Off-cycle defrost	 Electric defrost	 Hot-gas defrosting system	 Manual defrost
 Ventilated	 Static	 Incorporated condensing unit	 Remote condensing unit
 Bagnomaria	 Ceramic glass	 Ice	 VSD Inverter technology
 LED lighting	 Zero C doors	 High efficiency fans	 R290 Propane refrigerant gas (R290)
 R134a R-134a - 400V/3PH/50Hz	 R404A R404A - 400V/3PH/50Hz	 R744 R744 - 400V/PH/50Hz	 Semi-hermetic reciprocating compressor
 Hermetic scroll compressor	 Compressor hermetic reciprocating	 External installation	 Machinery room
 Soundproof housing	 On board condenser	 Remote condenser	 DUAL Medium & Low temperature