

# SKYVIEW URBAN



SkyEffect / Multideck

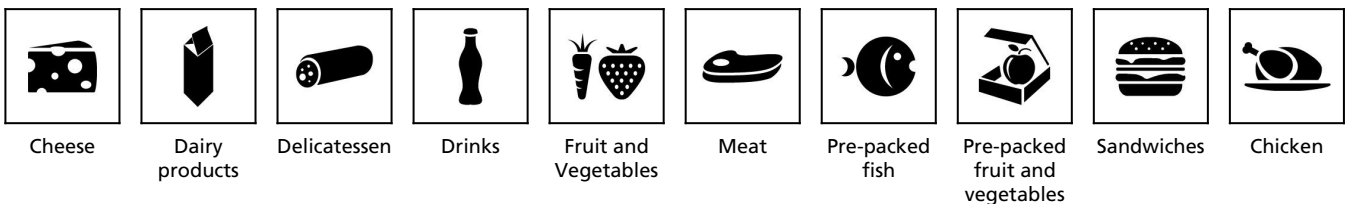
Chilled Vertical and Semivertical



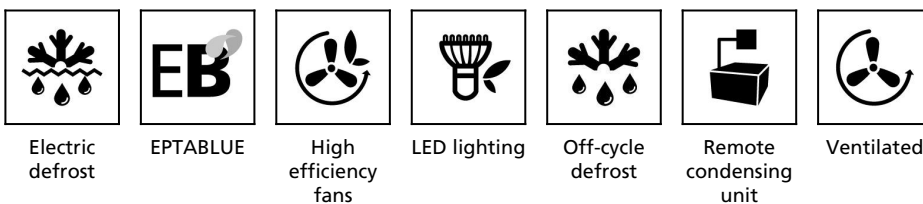
BEST ENERGY CLASS\*



## Product Categories



## Technical Features



## SKYVIEW URBAN

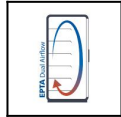
SkyEffect / Multideck

Chilled Vertical and Semivertical

### Certification and Patents



Eurovent



Epta  
DualAirflow



HighFlux

### Product Range

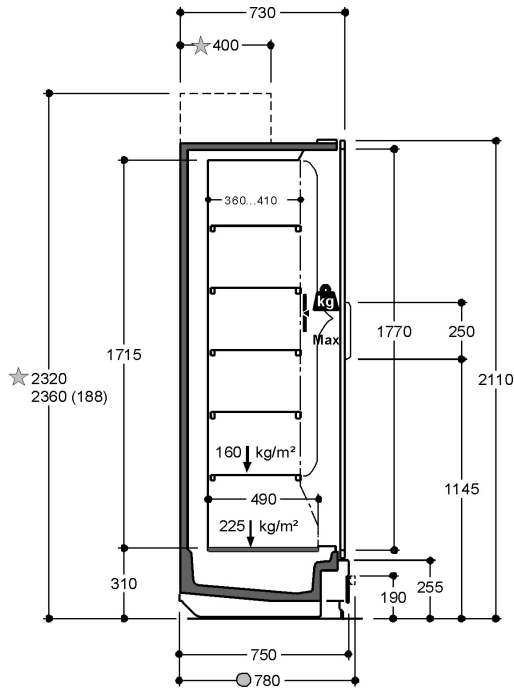
SKYVIEW URBAN					
<b>Length</b> -Lunghezza Longueur-Länge-Longitud mm		<b>1250</b>	<b>1875</b>	<b>2500</b>	<b>3750</b>
<b>Height</b> -Altezza-Hauteur-Höhe-Altura mm		H20	H20	H20	H20
<b>SKYVIEW URBAN</b>	<b>Efficia</b>	•	•	•	•
	<b>Modular</b>	•	•	•	•
<b>Display area</b> Superficie di esposizione Warenpräsentationsfläche Surface d'exposition Superficie expositiva m2	<b>Efficia</b>	2,11	3,68	4,21	7,36
	<b>Modular</b>	2,22	3,88	4,44	7,76
<b>Loading area</b> Superficie di appoggio Nutzfläche Surface de chargement Superficie de apoyo m2	<b>Efficia</b>	1,35	1,60	2,70	3,20
	<b>Modular</b>	1,65	1,92	2,30	3,84
<b>End thickness</b> Spessore spalla Stärke der Seitenwand Épaisseur de cheue joue Espesor lateral mm	30.00 (+ 35 Batticarrello/Bumper Rail/Pare-choc/Wagenstoßleiste/Parachoques)				

# SKYVIEW URBAN

SkyEffect / Multideck

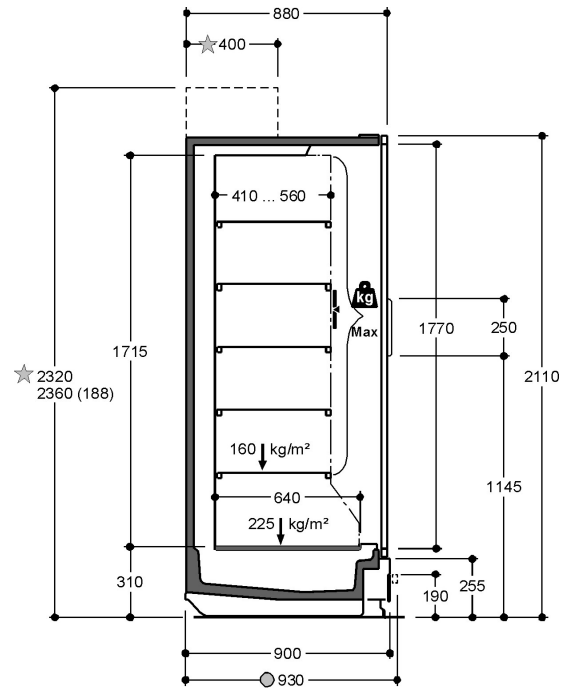
Chilled Vertical and Semivertical

## Cross Sections



- Option
- ★ EptaBlue

Closed 20 C



- Option
- ★ EptaBlue

Closed 20 N

\*The information on the energy class (according to EU regulations 2019/2018 and EU 2019/2024) reported here refers to standard models and precise product configurations and set-ups. The site is based on the information available at the time of publication. As the energy class depends on the specific product configuration, despite the efforts made to ensure the greatest possible accuracy, the real data can differ significantly from the data declared here. For further information, we invite you to consult the European Product Database for Energy Labelling (EPREL) or to contact our Sales Office.